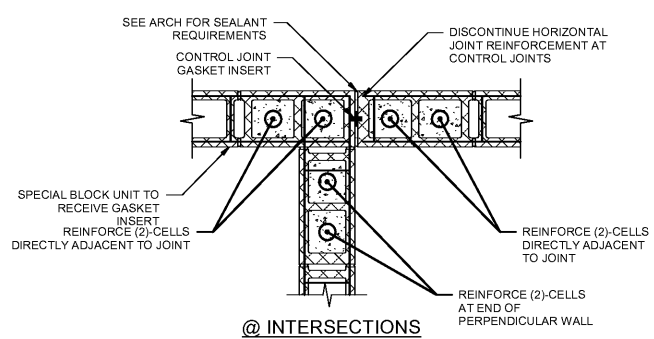
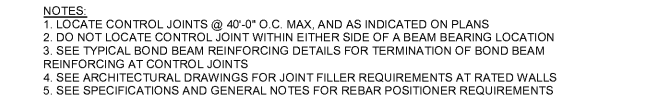


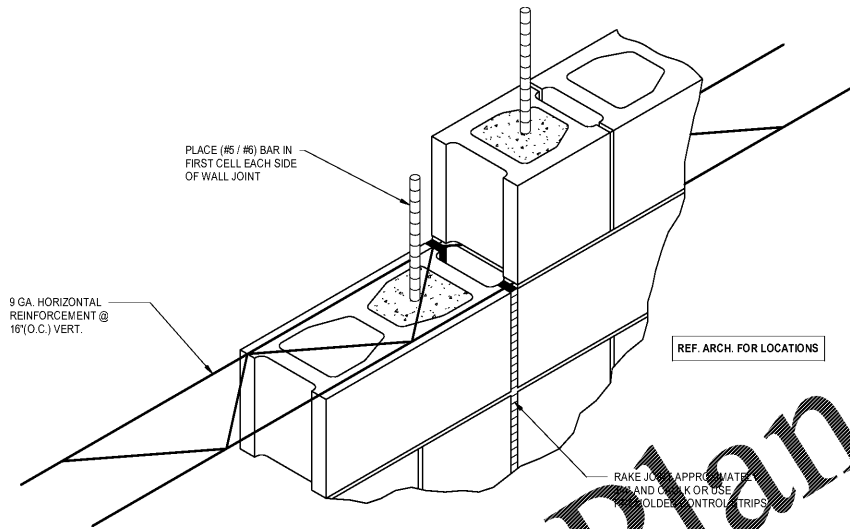
1 CMU - TYP. CMU CONTROL JOINT  
S221 SCALE: 1" = 1'-0"



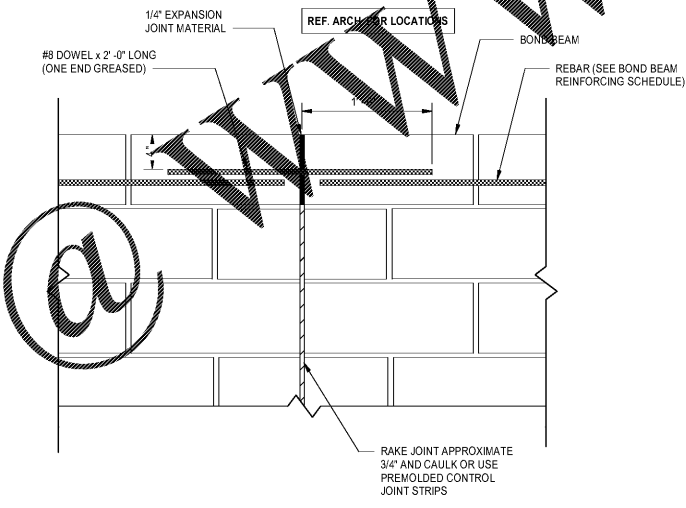
2 CMU - TYP. CMU VERTICAL REINFORCING  
S221 SCALE: 1" = 1'-0"



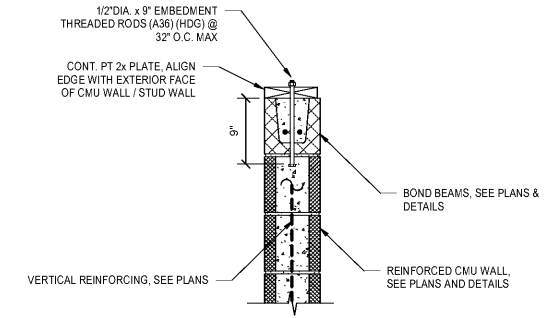
5 MASONRY CONTROL JOINT  
S221 SCALE: 1 1/2" = 1'-0"



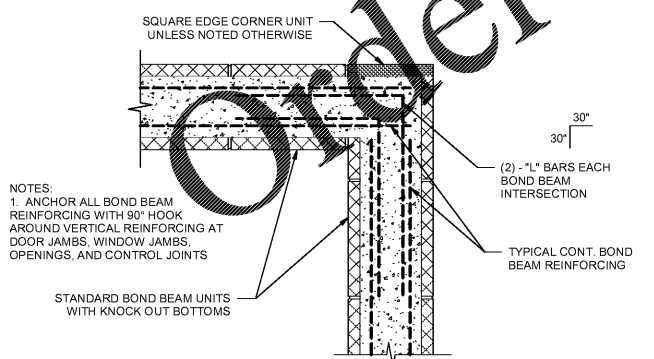
6 CONTROL JOINT AT BOND BEAM  
S221 SCALE: 1 1/2" = 1'-0"



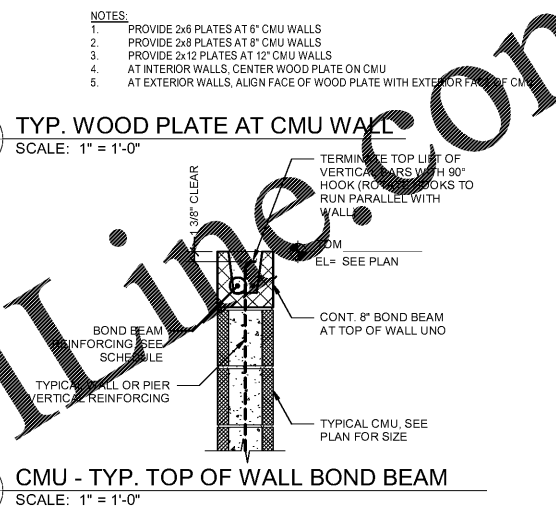
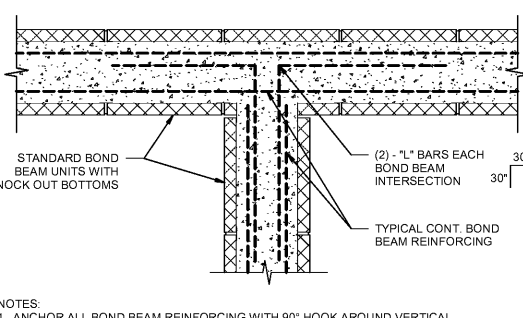
7 ISOLATION AND EXPANSION JOINT DETAIL  
S221 SCALE: 1" = 1'-0"



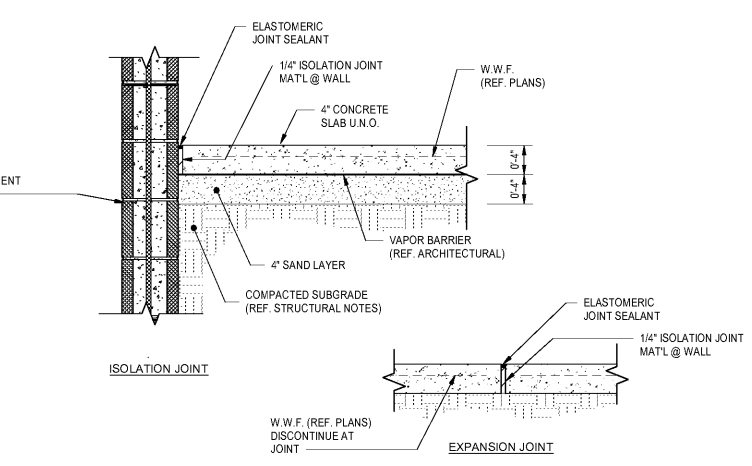
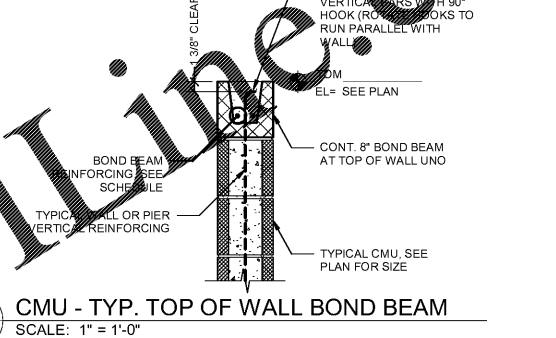
8 CMU - TYP. BOND BEAM REINFORCING (CORNER)  
S221 SCALE: 1" = 1'-0"



9 CMU - TYP. BOND BEAM REINFORCING (WALL INTERSECTION)  
S221 SCALE: 1" = 1'-0"



3 TYP. WOOD PLATE AT CMU WALL  
S221 SCALE: 1" = 1'-0"



NOTES:  
1. PROVIDE 2x6 PLATES AT 6\"/>

NOTES:  
1. COORDINATE THESE TYPICAL DETAILS WITH SPECIFIC PIER DETAILS  
2. SEE SCHEDULES AND SECTIONS FOR TYPICAL CMU WALL VERTICAL REINFORCING  
3. SEE SPECIFICATIONS AND GENERAL NOTES FOR REBAR POSITIONER REQUIREMENTS

NOTES:  
1. LOCATE CONTROL JOINTS @ 40\"/>

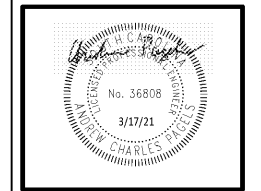
NOTES:  
1. ANCHOR ALL BOND BEAM REINFORCING WITH 90\"/>

**dickinson ARCHITECTS**  
Architecture Interior Design Planning  
771 Broad Street Suite 200  
Augusta, Georgia 30901  
(706) 722-7488  
mail@dickinsonarchitects.com  
www.dickinsonarchitects.com

Member of the American Institute of Architects

PROJECT TITLE:  
**SRP BRANCH BANK**

REVISIONS				
REV #	DATE	APRVD BY	REVISION	
1	03-19-21		ISSUED FOR PERMIT	



DA PROJECT NUMBER & NAME:  
2020-0522  
DRAWING TITLE:  
**TYPICAL MASONRY DETAILS**  
DRAWING NO:  
**S221**

**CRANSTON ENGINEERING**  
ENGINEERS - PLANNERS - SURVEYORS  
452 Ellis Street, Augusta, Georgia 30901  
Telephone 706-722-1588  
CranstonEngineering.com