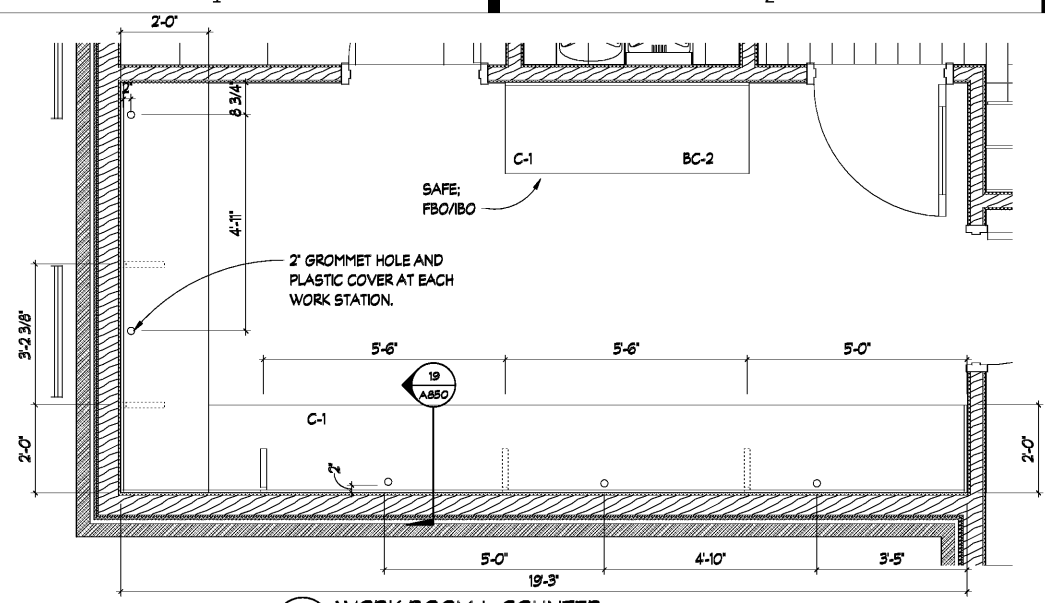
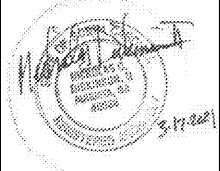
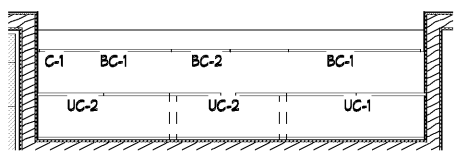


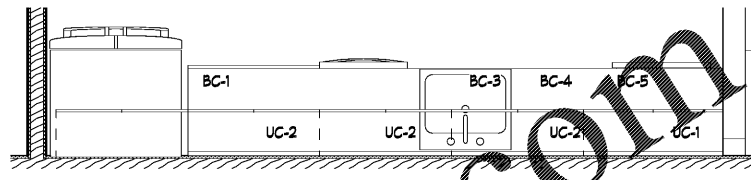
REVISIONS				
REV #	DATE	APRVD BY	ISSUE	REVISION
01	09/17/21	NDH	ISSUE FOR PERMIT	



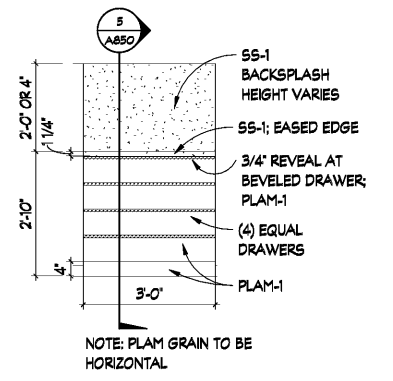
1 WORK ROOM L COUNTER
A810 SCALE: 1/2" = 1'-0"



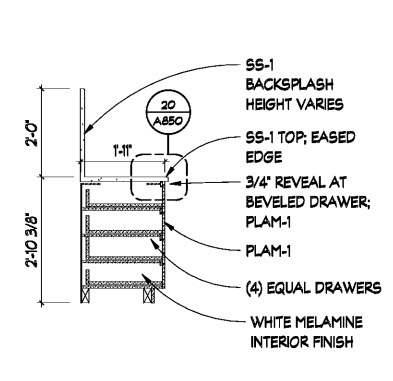
2 COPY ROOM MILLWORK
A810 SCALE: 1/2" = 1'-0"



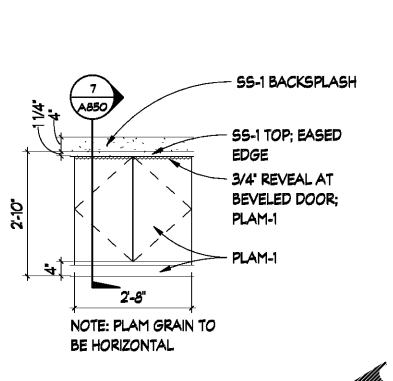
3 BREAK ROOM MILLWORK
A810 SCALE: 1/2" = 1'-0"



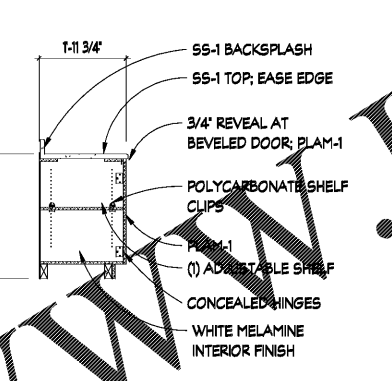
4 BC-1 FRONT
SCALE: 1/2" = 1'-0"



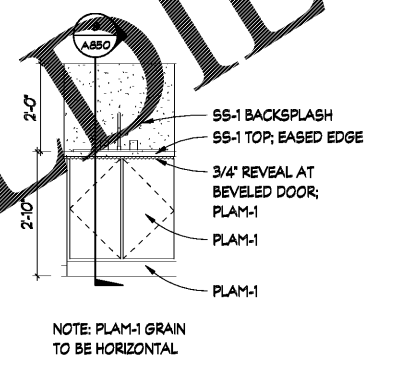
5 BC-1 SECTION
SCALE: 1/2" = 1'-0"



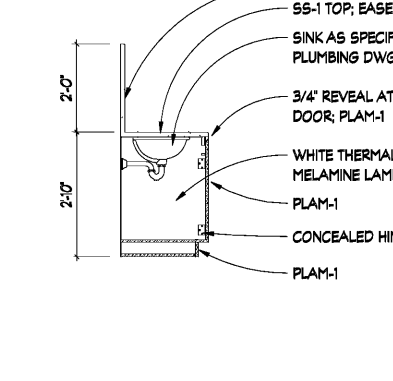
6 BC-2 FRONT
SCALE: 1/2" = 1'-0"



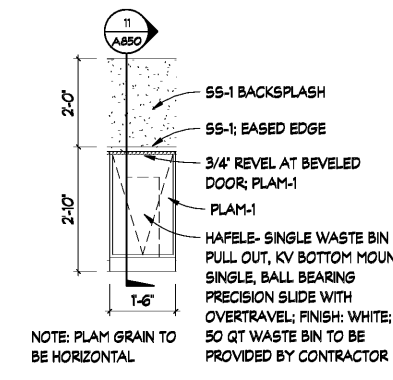
7 BC-2 SECTION
SCALE: 1/2" = 1'-0"



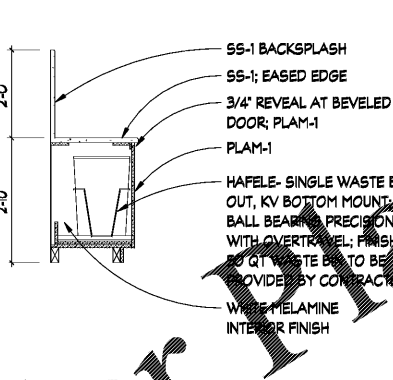
8 BC-3 FRONT
SCALE: 1/2" = 1'-0"



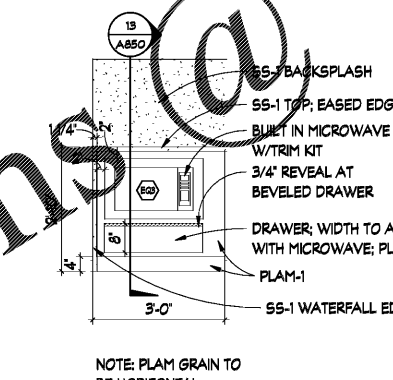
9 BC-3 SECTION
SCALE: 1/2" = 1'-0"



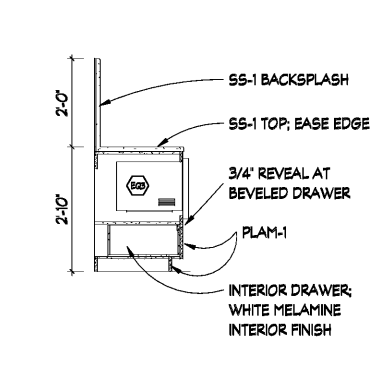
10 BC-4 FRONT
SCALE: 1/2" = 1'-0"



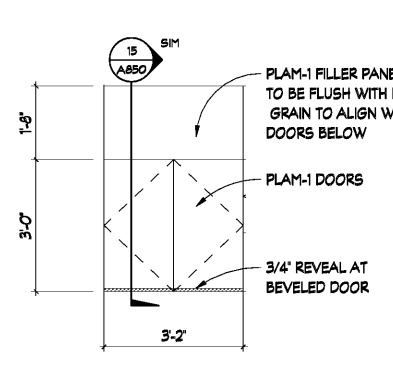
11 BC-4 SECTION
SCALE: 1/2" = 1'-0"



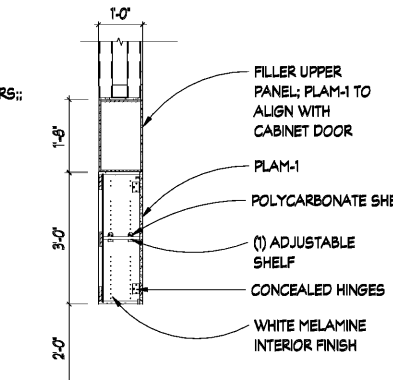
12 BC-5 FRONT
SCALE: 1/2" = 1'-0"



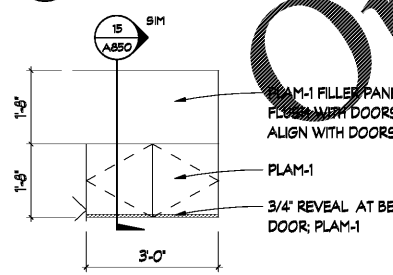
13 BC-5 SECTION
SCALE: 1/2" = 1'-0"



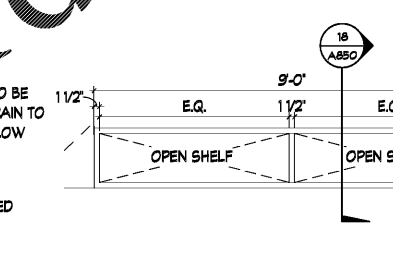
14 UC-1 FRONT
SCALE: 1/2" = 1'-0"



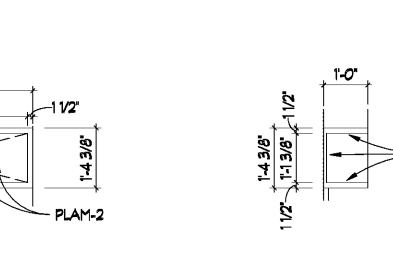
15 UC-1 SECTION
SCALE: 1/2" = 1'-0"



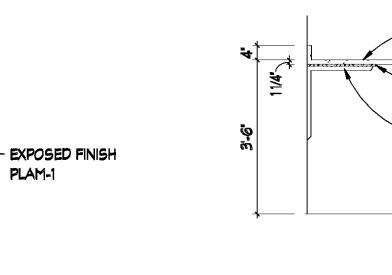
16 UC-2 FRONT
SCALE: 1/2" = 1'-0"



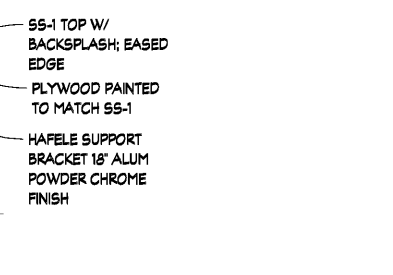
17 OS-1 FRONT
SCALE: 1/2" = 1'-0"



18 OS-1 SECTION
SCALE: 1/2" = 1'-0"



19 WORK ROOM COUNTER SECTION
SCALE: 1/2" = 1'-0"



20 CABINET REVEAL DETAIL
SCALE: 1 1/2" = 1'-0"

Order Plans