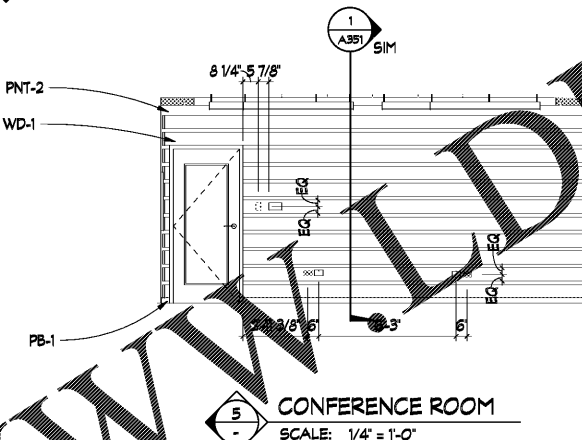
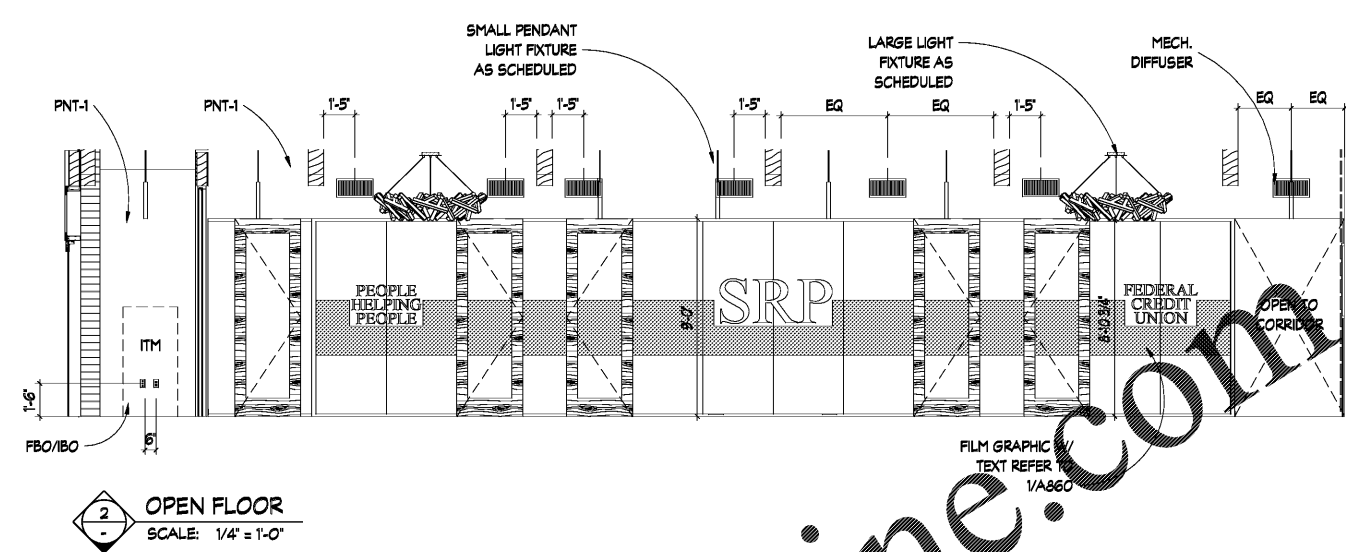
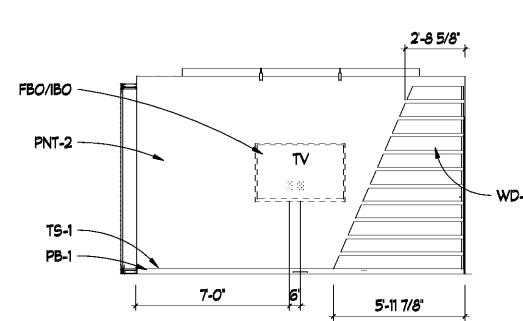
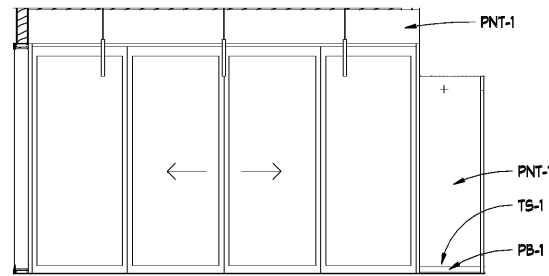
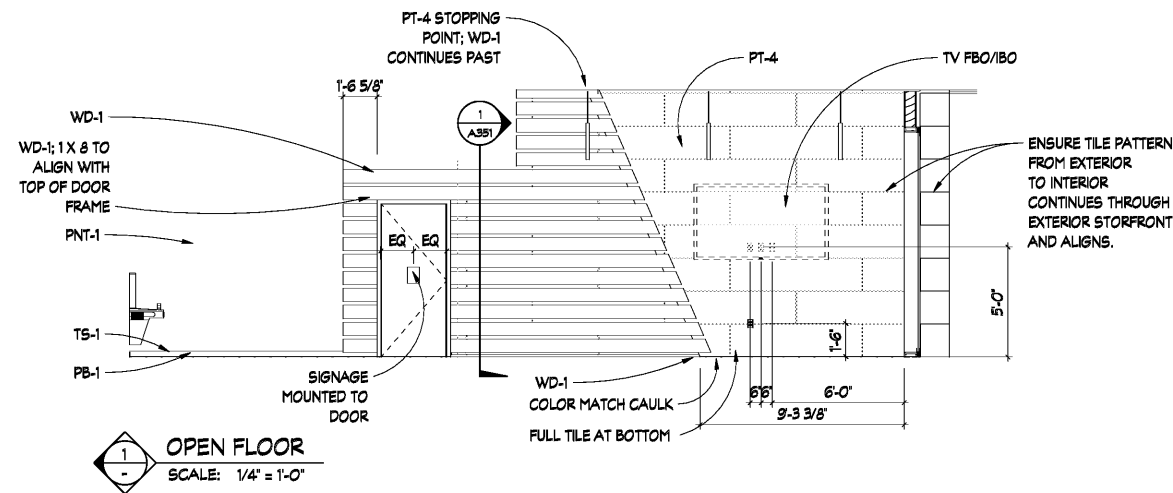


D
C
B
A



GENERAL NOTES:

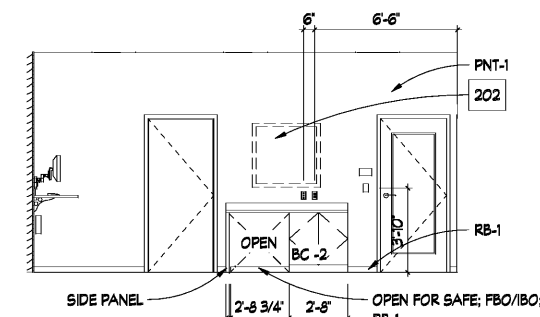
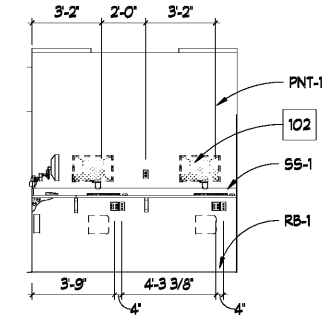
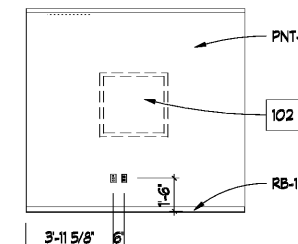
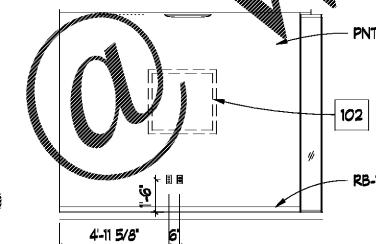
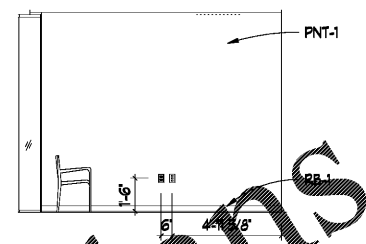
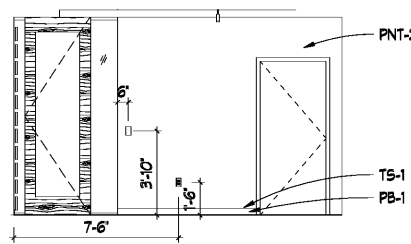
- 1. FF&E IS INDICATED BY TAG BELOW AND IS NOT IN CONTRACT. FF&E SHOWN FOR REFERENCE ONLY.

100

3
OPEN FLOOR
SCALE: 1/4" = 1'-0"

4
CONFERENCE ROOM
SCALE: 1/4" = 1'-0"

5
CONFERENCE ROOM
SCALE: 1/4" = 1'-0"



6
CONFERENCE ROOM
SCALE: 1/4" = 1'-0"

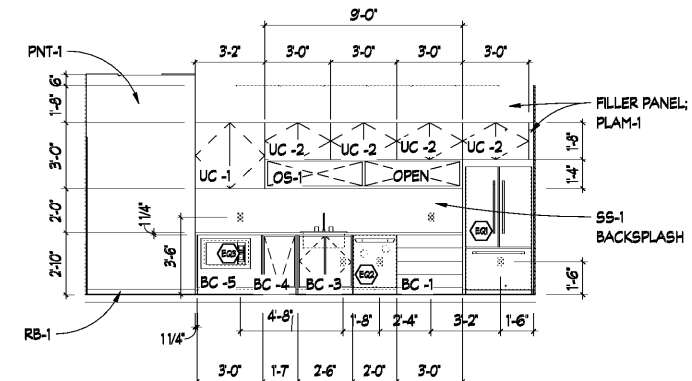
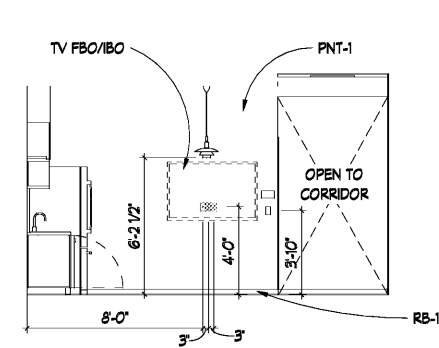
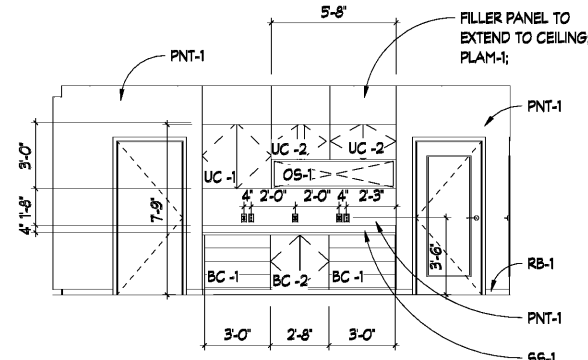
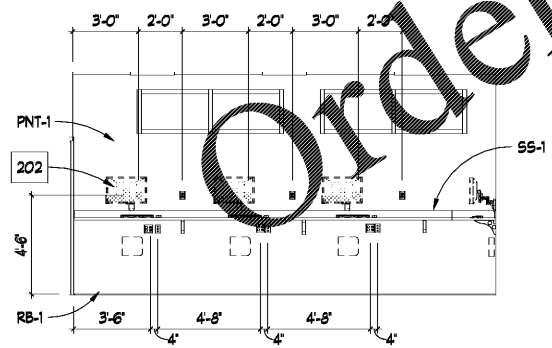
7
OFFICE TYPICAL
SCALE: 1/4" = 1'-0"

8
OFFICE TYPICAL
SCALE: 1/4" = 1'-0"

9
OFFICE TYPICAL
SCALE: 1/4" = 1'-0"

10
WORKROOM
SCALE: 1/4" = 1'-0"

11
WORKROOM
SCALE: 1/4" = 1'-0"



12
WORKROOM
SCALE: 1/4" = 1'-0"

13
CORRIDOR
SCALE: 1/4" = 1'-0"

14
BREAKROOM
SCALE: 1/4" = 1'-0"

15
BREAKROOM
SCALE: 1/4" = 1'-0"



dickinson
ARCHITECTS
Architecture Interior Design Planning
771 Broad Street Suite 200
Augusta, Georgia 30901
(706) 722-7488
mail@dickinsonarchitects.com
www.dickinsonarchitects.com

Member of the
American Institute of
Architects

THIS DRAWING IS THE PROPERTY OF DICKINSON ARCHITECTS, P.C., AND IS NOT TO BE REPRODUCED OR COPIED IN WHOLE OR IN PART OR USED FOR FURNISHING INFORMATION TO OTHERS OR FOR ANY OTHER PURPOSE. RETURN TO THE INTEREST OF DICKINSON ARCHITECTS, P.C., AND IS TO BE RETURNED UPON REQUEST.
DICKINSON ARCHITECTS, P.C.

PROJECT TITLE:
**SRP
BRANCH
BANK**

REVISIONS

REV #	DATE	APRVD BY	REVISION
1	09/17/21	NDH	ISSUE FOR PERMIT

3.17.2021

DA PROJECT NUMBER & NAME:
2092
DRAWING TITLE:

INTERIOR
ELEVATIONS

DRAWING NO:
A831

1 2 3 4 5