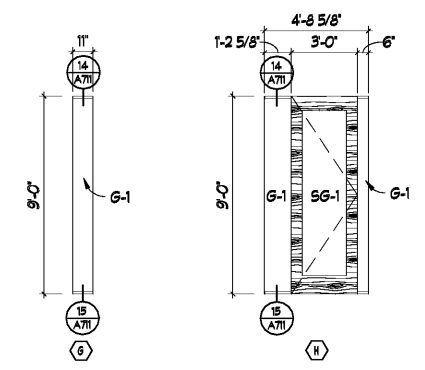
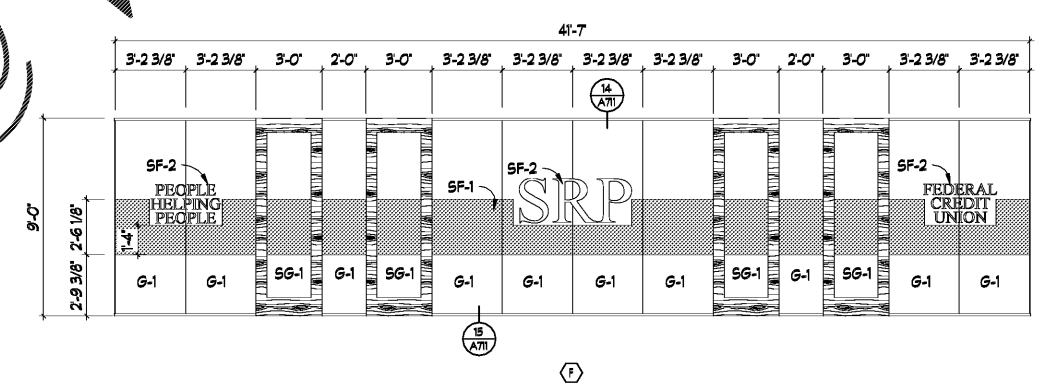
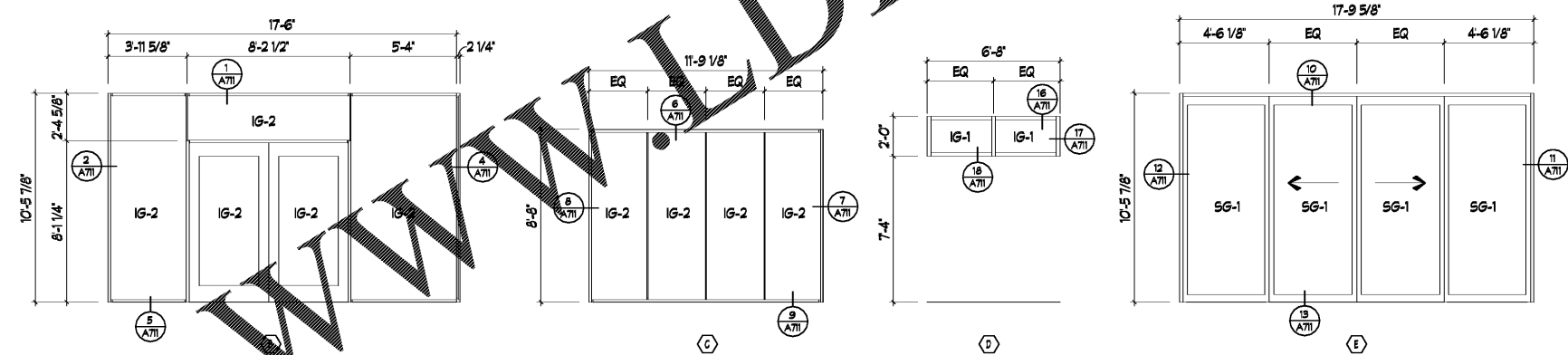
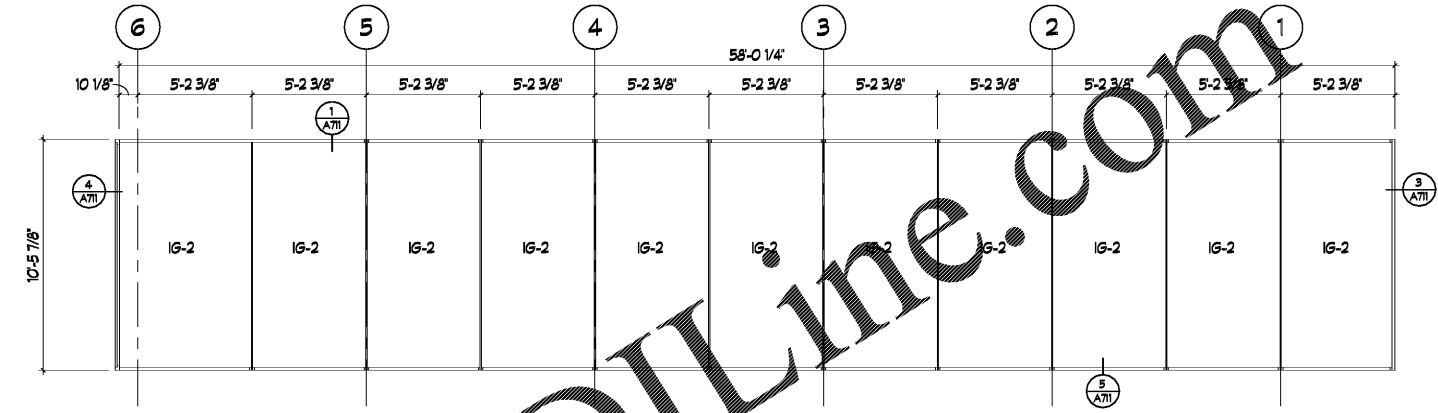


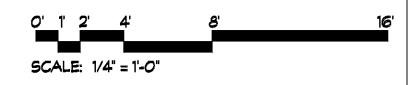
ABBREV.
 ALUMINUM AL
 DECORATIVE PLASTIC FILM DF

NO.	WINDOW SIZE (W X H)		FRAME MATERIAL	GLASS				DETAILS			REMARKS
	WIDTH	HEIGHT		TH.	TYPE	THERM.	OPERATION	HEAD	JAMB	SILL	
A	58'-0"	10'-5 7/8"	AL	1"	IG-2	LOW-E	FIXED	1	3, 4	5	KAWNEER CLEARWALL
B	17'-6"	10'-5 7/8"	AL	1"	IG-2	LOW-E	FIXED	1	2, 4	5	KAWNEER CLEARWALL
C	11'-9"	8'-8"	AL	1"	IG-2	LOW-E	FIXED	6	7, 8	9	KAWNEER CLEARWALL
D	6'-8"	2'-0"	AL	1"	IG-1	LOW-E	FIXED	16	17	18	
E	17'-9 5/8"	10'-5 7/8"	AL	1/4"	SG-1	-	SLIDING	10	11, 12	13	KAWNEER SLIDING DOOR
F	47'-1"	9'-0"	AL	1/2"	G-1, DF	-	FIXED	13	-	14	DECORATIVE PLASTIC FILM
G	0'-11"	9'-0"	AL	1/2"	G-1	-	FIXED	13	-	14	
H	4'-8 5/8"	9'-0"	AL	1/2"	G-1	-	FIXED	13	-	14	



Order Plans @ WWW.DIline.com

WINDOW TYPES
 SCALE: 1/4" = 1'-0"



dickinson
 ARCHITECTS
 Architecture|Interior Design|Planning
 771 Broad Street Suite 200
 Augusta, Georgia 30901
 (706) 722-7488
 mail@dickinsonarchitects.com
 www.dickinsonarchitects.com

Member of the
 American Institute of
 Architects

THIS DRAWING IS THE PROPERTY OF DICKINSON ARCHITECTS, P.C., AND IS NOT TO BE REPRODUCED OR COPIED IN WHOLE OR IN PART OR USED FOR FURNISHING INFORMATION TO OTHERS OR FOR ANY OTHER PURPOSES. RETURN TO THE INTEREST OF DICKINSON ARCHITECTS, P.C., AND IS TO BE RETURNED UNPROMPTLY.
 DICKINSON ARCHITECTS, P.C.

PROJECT TITLE:
**SRP
 BRANCH
 BANK**

REVISIONS			
REV #	DATE	APRVD BY	REVISION
1	09/17/21	NDH	ISSUE FOR PERMIT

DA PROJECT NUMBER & NAME:
 2092
 DRAWING TITLE:
**WINDOW
 SCHEDULE, TYPES,
 & DETAILS**

DRAWING NO:
A710

D

C

B

A