



Member of the
American Institute of
Architects

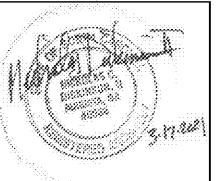
THIS DRAWING IS THE PROPERTY OF DICKINSON ARCHITECTS, P.C. AND IS NOT TO BE REPRODUCED OR COPIED IN WHOLE OR IN PART OR USED FOR FURNISHING INFORMATION TO OTHERS OR FOR ANY OTHER PURPOSE. RETURN TO THE INTEREST OF DICKINSON ARCHITECTS, P.C. AND IS TO BE RETURNED UNPROCESSED.
DICKINSON ARCHITECTS, P.C.

PROJECT TITLE:
**SRP
BRANCH
BANK**



REVISIONS

REV #	DATE	APRVD BY	REVISION
1	03/17/21	NDH	ISSUE FOR PERMIT



DA PROJECT NUMBER & NAME:

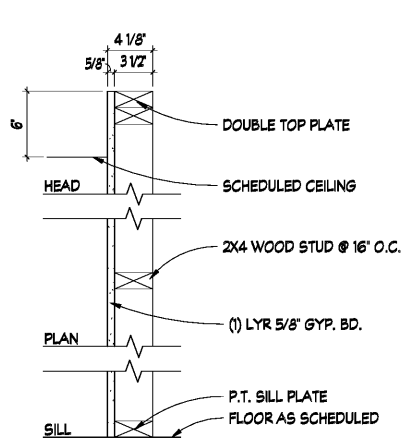
2092

DRAWING TITLE:

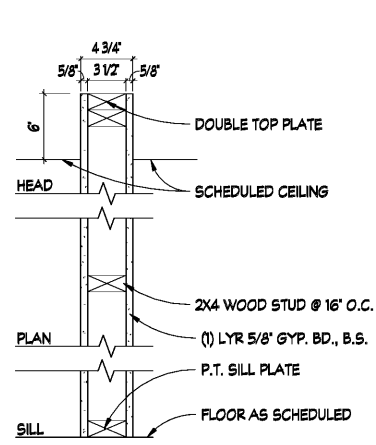
WALL TYPES

DRAWING NO:

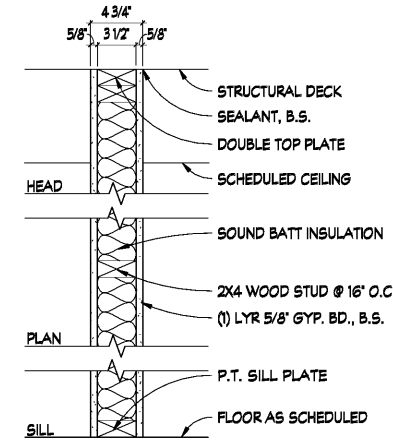
A601



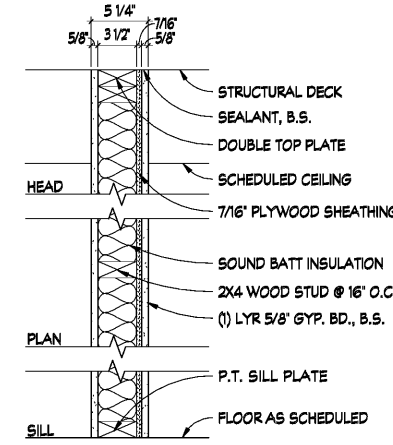
81 INTERIOR STUD WALL
SCALE: 1 1/2" = 1'-0"
FIRE RATING: _____
S.T.C. RATING: _____



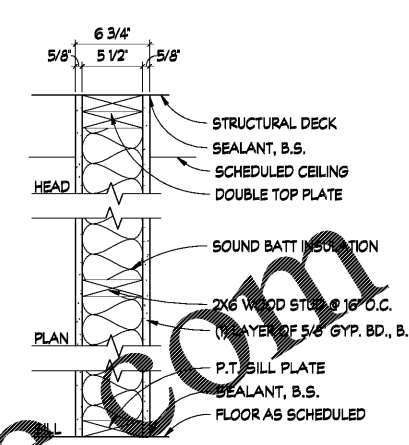
83 INTERIOR STUD WALL
SCALE: 1 1/2" = 1'-0"
FIRE RATING: _____
S.T.C. RATING: _____



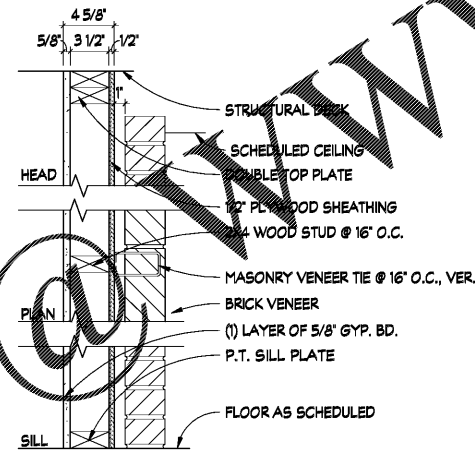
83-1 INTERIOR STUD WALL
SCALE: 1 1/2" = 1'-0"
FIRE RATING: _____
S.T.C. RATING: _____



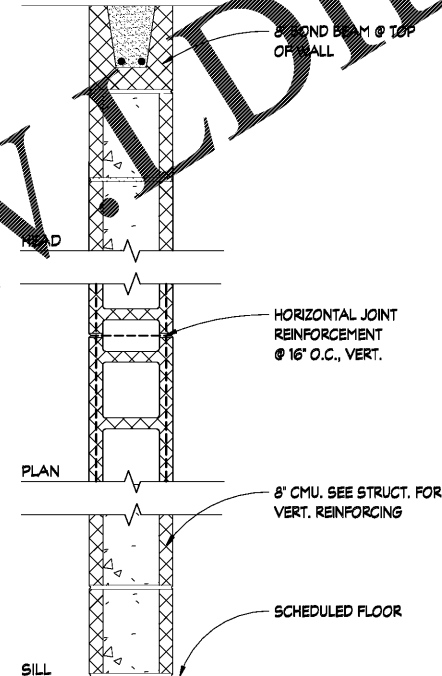
83-2 INTERIOR STUD WALL
SCALE: 1 1/2" = 1'-0"
FIRE RATING: _____
S.T.C. RATING: _____



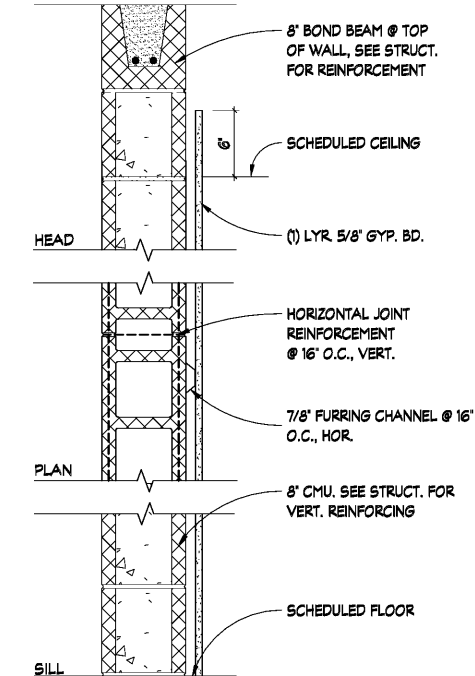
83-1 INTERIOR STUD WALL
SCALE: 1 1/2" = 1'-0"
FIRE RATING: _____
S.T.C. RATING: _____



97 INTERIOR STUD WALL
SCALE: 1 1/2" = 1'-0"
FIRE RATING: _____
S.T.C. RATING: _____



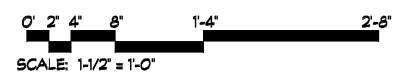
121 INTERIOR CMU WALL
SCALE: 1 1/2" = 1'-0"
FIRE RATING: _____
S.T.C. RATING: _____



122 INTERIOR CMU WALL
SCALE: 1 1/2" = 1'-0"
FIRE RATING: _____
S.T.C. RATING: _____

GENERAL NOTES:

1. AT WALLS WHERE CERAMIC TILE IS USED AS THE FINISH MATERIAL, WATER RESISTANT GYP. BD. SHALL BE USED AS THE BASE LAYER UNLESS OTHERWISE NOTED. ALL WALLS TO RECEIVE CERAMIC TILE SHALL HAVE STUDS SPACED AT A MAXIMUM OF 16" O.C.
2. PROVIDE RATED WALLS ACCORDING TO THE REQUIREMENTS OF THE RESPECTIVE TEST NUMBER INDICATED.
3. APPLY SEALANT TO WALLS TO MEET THE INDICATED STC RATING.
4. WALL HEIGHT INDICATED 'TO STRUCTURE' SHALL BE CARRIED TO UNDERSIDE OF FLOOR/ROOF ASSEMBLY AND SEALED AT TOP.
5. WHERE NON RATED WALLS DO NOT EXTEND TO STRUCTURE, EXTEND STUDS TO STRUCTURE AND BRACE WALLS TO DECK ABOVE @ 48" O.C.
6. ALL MECHANICAL ROOM WALLS TO BE 60 STC.
7. INTERIOR FACE OF EXTERIOR WALLS SHALL RECEIVE 5/8" MOLD/MOISTURE RESISTANT GYP. BOARD.
8. COORDINATE WITH REFLECTED CEILING PLAN FOR PARTITIONS SCHEDULED TO EXTEND TO STRUCTURE.



Order Plans

WWW.DIline.com