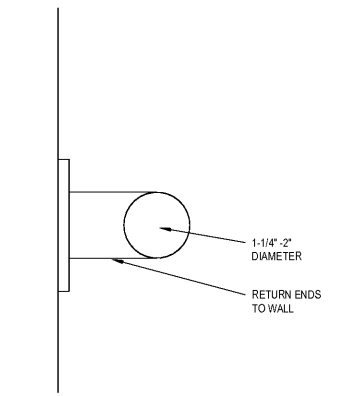
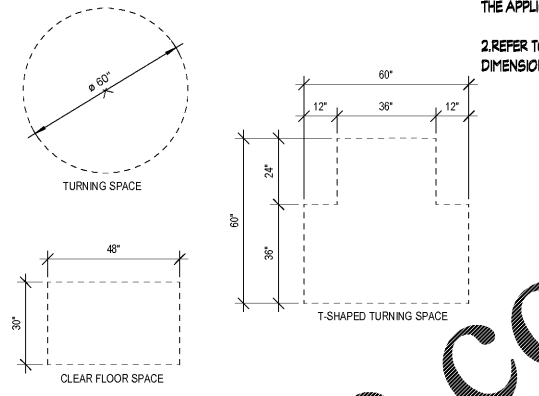


**1 DOOR CLR AT PUBLIC/Common AREAS**  
SCALE: 3/8" = 1'-0"

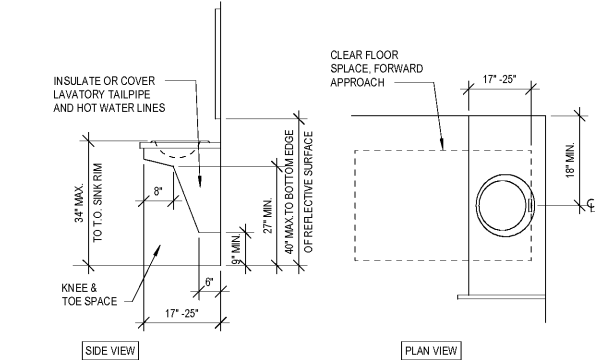
NOTE: ACCESSIBLE DOOR SURFACE TO MAINTAIN A SMOOTH SURFACE ON THE PUSH SIDE EXTENDING THE FULL WIDTH OF THE DOOR AS PER ANSI A117.1 404.2.9



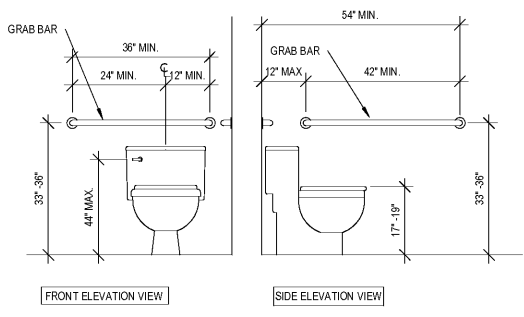
**2 TYP. GRAB-BAR SECTION**  
SCALE: 6" = 1'-0"



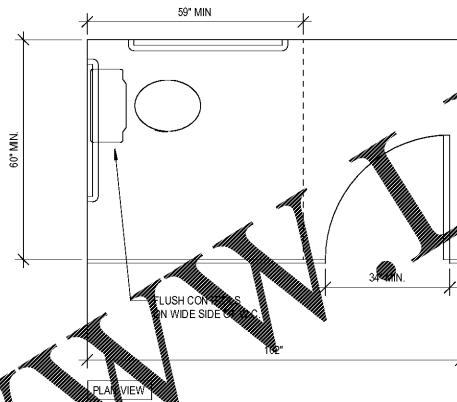
**3 CLEAR FLOOR SPACES**  
SCALE: 3/8" = 1'-0"



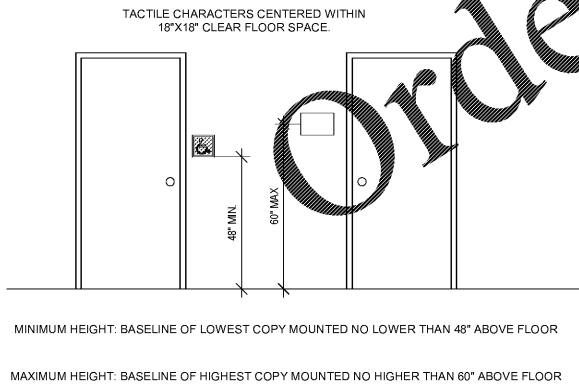
**4 COMMON USE LAVATORY**  
SCALE: 1/2" = 1'-0"



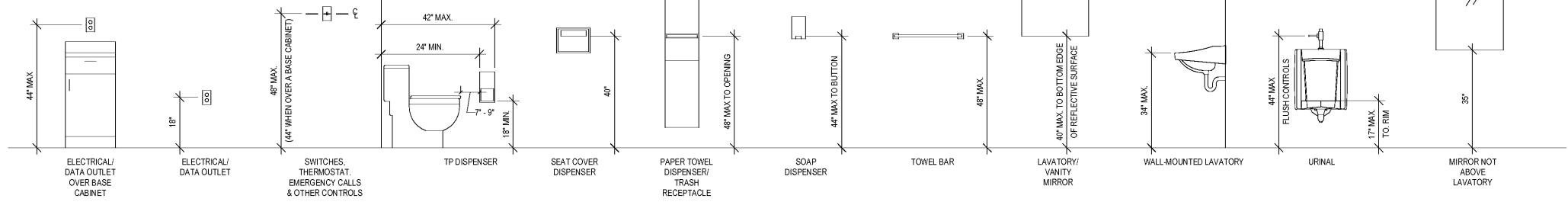
**5 COMMON USE ACCESSIBLE WC COMPARTMENT**  
SCALE: 1/2" = 1'-0"



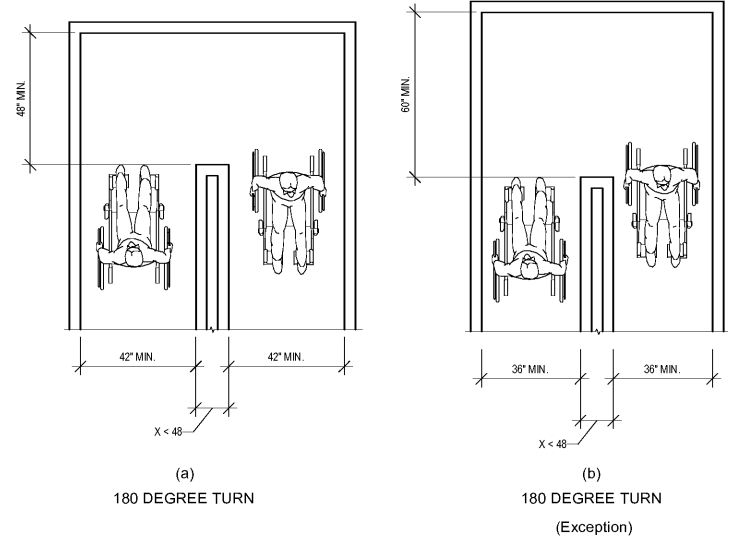
**6 COMMON USE SINGLE BATHROOM**  
SCALE: 1/2" = 1'-0"



**9 TACTILE CHARACTERS**  
SCALE: 3/8" = 1'-0"

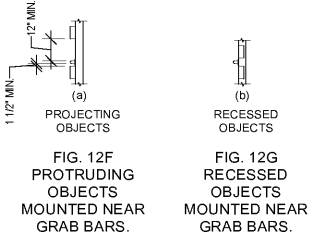


**10 TYP. MOUNTING HEIGHTS**  
SCALE: 1/2" = 1'-0"



**8 CLEAR WIDTH AT TURN**  
SCALE: 3/8" = 1'-0"

403.5.2 Clear Width at Turn. Where the accessible route makes a 180 degree turn around an element which is less than 48 inches wide, clear width shall be 42 inches minimum approaching the turn, 48 inches minimum at the turn and 42 inches minimum leaving the turn.  
EXCEPTION: Where the clear width at the turn is 60 inches minimum compliance with 403.5.2 shall not be required.



**7 PROTRUDING OBJECTS**  
SCALE: 1/4" = 1'-0"

**GENERAL NOTES:**

1. THE INTENT OF THESE DIAGRAMS IS TO ILLUSTRATE TYPICAL CONDITIONS APPLICABLE TO THIS PROJECT. THESE DETAILS DO NOT SUPERCEDE OR REPLACE THE ACCESSIBILITY REQUIREMENTS OR THE APPLICABLE CODE IN THE GOVERNING JURISDICTION.
2. REFER TO CIVIL DRAWINGS FOR ACCESSIBLE PARKING DIMENSIONS, SIGNAGE AND EXTERIOR ACCESSIBLE PATH DETAILS.

**dickinson ARCHITECTS**  
Architecture/Interior Design/Planning  
771 Broad Street Suite 200  
Augusta, Georgia 30901  
(706) 722-7488  
mail@dickinsonarchitects.com  
www.dickinsonarchitects.com

Member of the American Institute of Architects

PROJECT TITLE:  
**SRP BRANCH BANK**

REVISIONS			
REV #	DATE	APRVD BY	REVISION
	09/17/21	NDH	ISSUE FOR PERMIT

DA PROJECT NUMBER & NAME:  
2092  
DRAWING TITLE:  
**ACCESSIBILITY GUIDELINES**

DRAWING NO:  
**T102**