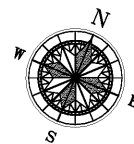
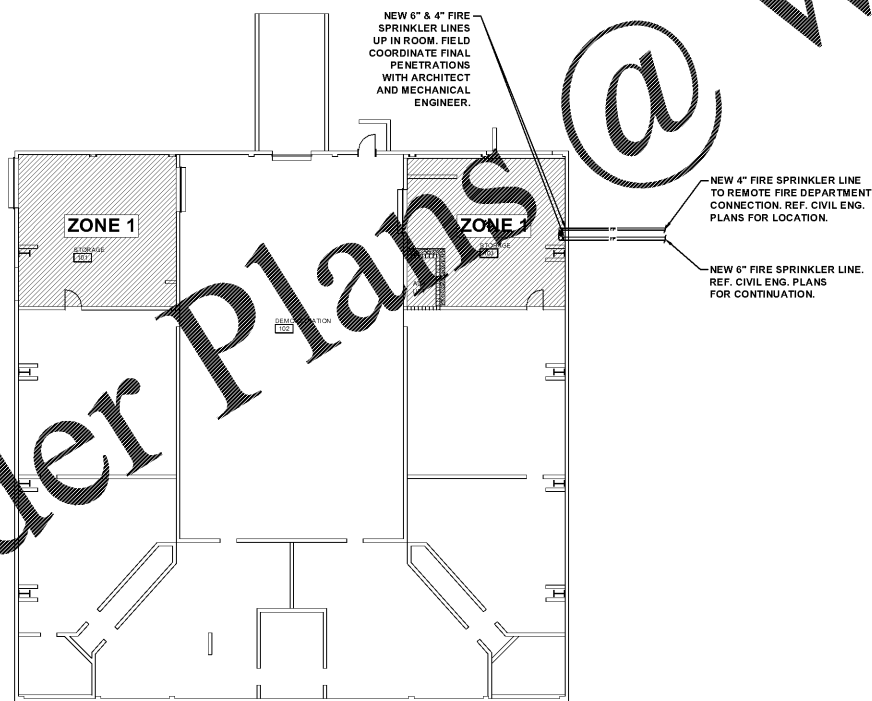


UPPER FLOOR FIRE SPRINKLER PLUMBING PLAN

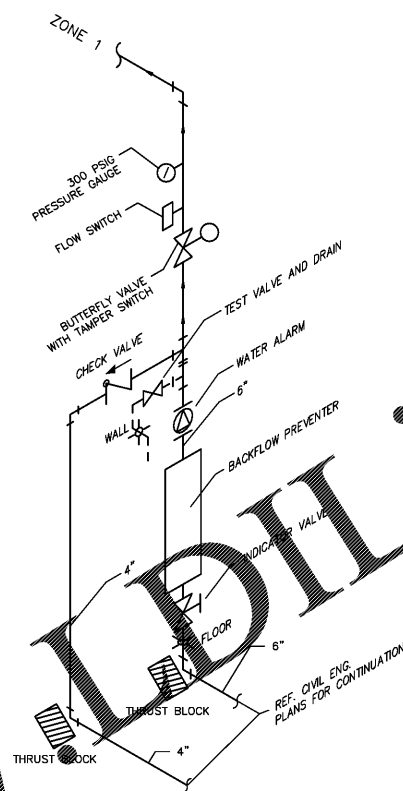
SCALE: 1/16"=1'-0"
 0 5
 Scale in feet



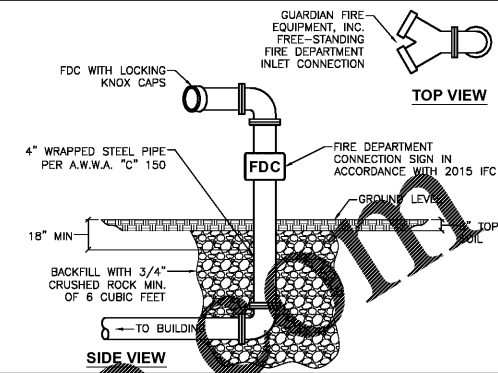
LOWER FLOOR FIRE SPRINKLER PLUMBING PLAN

SCALE: 1/16"=1'-0"
 0 5
 Scale in feet

FIRE SERVICE RISER DIAGRAM



REMOTE FIRE DEPARTMENT CONNECTION



FIRE SPRINKLER SYSTEM NOTES

- 1 THE FIRE PROTECTION SYSTEM IS SHOWN IN SCHEMATIC FORM ONLY. THE SUCCESSFUL FIRE PROTECTION VENDOR SHALL LOCATE AND SIZE ALL SPRINKLER HEADS, FIRE DEPARTMENT CONNECTIONS, STANDPIPE SYSTEMS, PIPING, ETC. IN COMPLETE ACCORDANCE WITH NFPA 13 AND 2015 INTERNATIONAL BUILDING CODE AND LOCAL REQUIREMENTS.
- 2 SYSTEM DESIGN TO BE IN ACCORDANCE WITH WRITTEN SPECIFICATIONS. ALL HYDRAULIC CALCULATIONS SHALL BE SUBMITTED TO ENGINEER FOR REVIEW AND APPROVAL.
- 3 ALL PIPING SHALL BE INSTALLED IN SUCH A MANNER AS TO AVOID PLUMBING AND HVAC INSTALLATIONS. FAILURE TO COORDINATE WORK WILL RESULT IN REWORK AT CONTRACTOR'S EXPENSE. MAINTAIN MINIMUM STAIR WELL EGRESS CLEARANCE.
- 4 INSTALL ALL ABOVE CEILING PIPING BELOW DUCT.
- 5 INSTALL ALL EXPOSED PIPING AS HIGH AS POSSIBLE.
- 6 ROUTE ALL EXPOSED PIPING IN CHASES WHERE POSSIBLE.
- 7 COORDINATE ALL WORK WITH ARCHITECTURAL, STRUCTURAL, HVAC AND ELECTRICAL TRADES. PLUMBING. PIPE ROUTING SHOWN IS DIAGRAMMATIC. PROVIDE ALL OFFSETS, ETC., TO AVOID INTERFERENCES WITH EQUIPMENT, PIPING, DUCTWORK, LIGHTS, CONDUIT, ETC..
- 8 COORDINATE ALL FLOOR PENETRATIONS WITH STRUCTURAL DRAWINGS. SET SLEEVES IN FLOORS AND WALLS AND ATTACHMENTS FOR HANGERS AS CONSTRUCTION PROGRESSES. ALL PENETRATIONS MUST BE SEALED AND HELD AS TIGHT TO COLUMNS OR WALLS AS POSSIBLE.
- 9 ALL PIPING SHALL BE CONCEALED INSIDE WALLS AND IN PIPE CHASES OR ABOVE CEILINGS. HOLD ALL PIPING ABOVE CEILING AS HIGH AS POSSIBLE.
- 10 ALL STRUCTURAL PENETRATIONS (SLEEVES, BLOCKOUTS, ETC.) ARE TO BE LOCATED AND COORDINATED IN THE FIELD BY THE CONTRACTOR IN RELATION TO THE REQUIREMENTS OF FINAL EQUIPMENT AND FIXTURES SELECTED.
- 11 FIELD VERIFY EXACT SIZE, MATERIAL, AND LOCATION OF ALL EXISTING UTILITIES BEFORE BEGINNING WORK.
- 12 ALL WET PIPING TO BE ROUTED BELOW CEILING INSULATION.
- 13 FIRE SPRINKLER CONTRACTOR SHALL BE LICENSED BY THE ALABAMA STATE FIRE MARSHALL'S OFFICE.

FIRE SPRINKLER LEGEND

— FP — NEW FIRE PROTECTION PIPING

FIRE SPRINKLER DRAWING INDEX

SHEET NO.	SHEET TITLE
SP1.1	FIRE SPRINKLER LEGEND, NOTES, DETAILS AND PLUMBING PLAN

FIRE SPRINKLER ZONES

ZONE NO.	ZONE SQ. FT.	SYSTEM TYPE	COVERAGE AREA DESCRIPTION	ZONE HATCH PATTERN
1	12,628	WET	TOTAL BUILDING	[Hatch Pattern]

FIRE SPRINKLER LEGEND, NOTES, DETAILS AND PLUMBING PLANS

SCALE: NOT TO SCALE

Order Plans @ WWW.WHORTONENGINEERING.COM

WHORTON ENGINEERING, INC.

HVAC — PLUMBING — PROCESS CONTROL

Randee Whorton
 RANDALL WHORTON, P.E.
 PHONE: (256) 820-9897

DATE: 01-20-2021
 25 SUMMERALL GATE ROAD
 ANNISTON, ALABAMA 36205

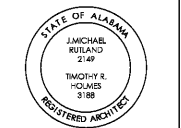


WHORTON ENGINEERING PROJECT NO. 19212



Facilities Management
 1161 West Samford Avenue
 Auburn University, AL 36849
 Phone: (334) 844-4810
 Fax: (334) 844-9458
 Safety is our first priority.
 Think Safety. Act Safely.

No.	Revision	Date



JMR-H Architecture, P.C.
 445 Dexter Avenue
 Montgomery, AL 36104
 Phone: (334) 420-5672
 Fax: (334) 420-5692
 JMR-H Project Number: 19-968
 Drawn By: DT

Auburn University Building
 Ham Wilson Arena Renovations
 Project Number 19-451

SHEET TITLE:
 FIRE SPRINKLER
 LEGEND, NOTES,
 DETAILS AND
 PLUMBING PLANS

DRAWN BY:
 RDL
 CHECKED BY:
 RDW
 DATE:
 JANUARY 21, 2021
 FILE NUMBER:

PROJECT NUMBER:
 19-451
 SHEET NUMBER:

SP1.1