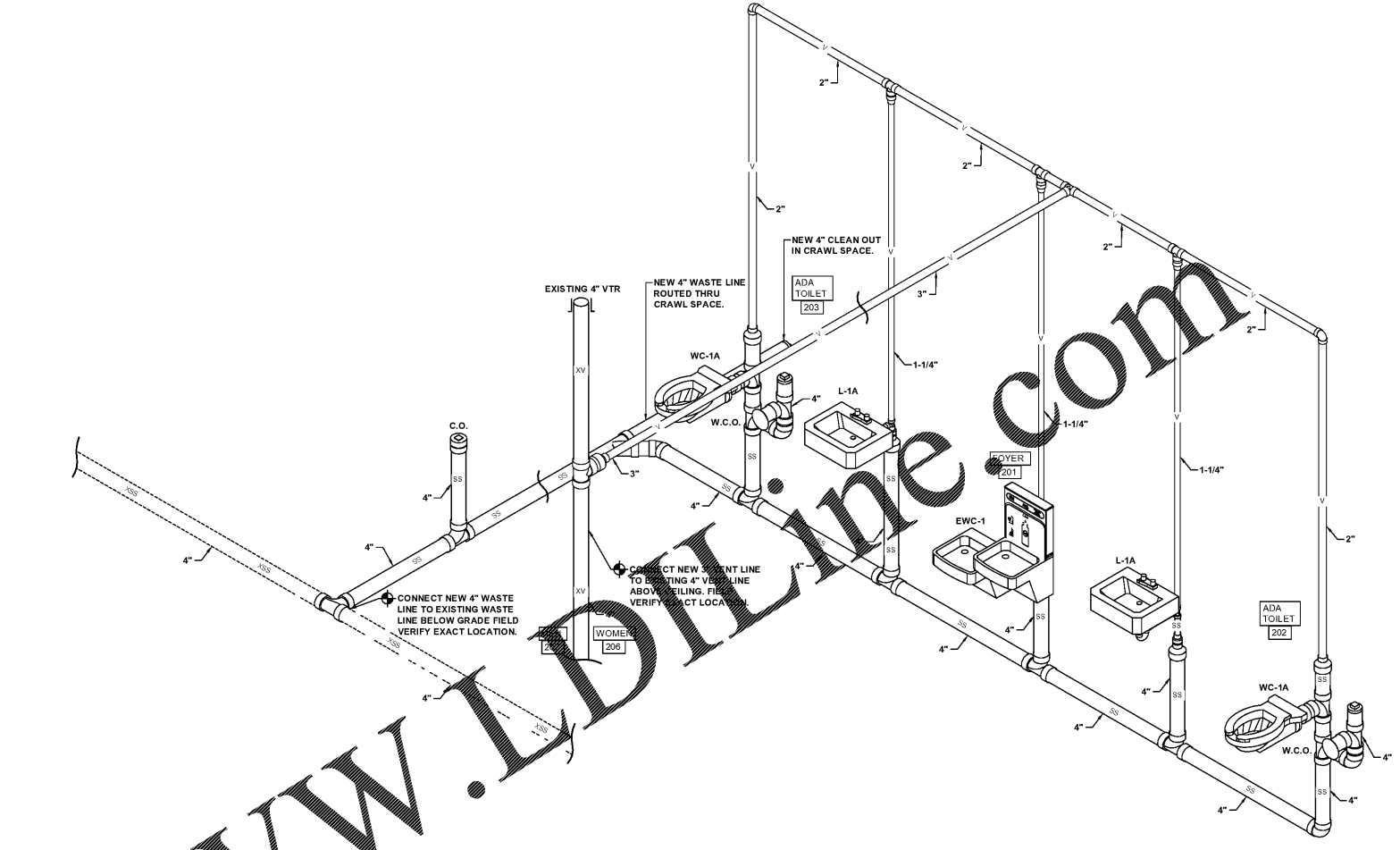


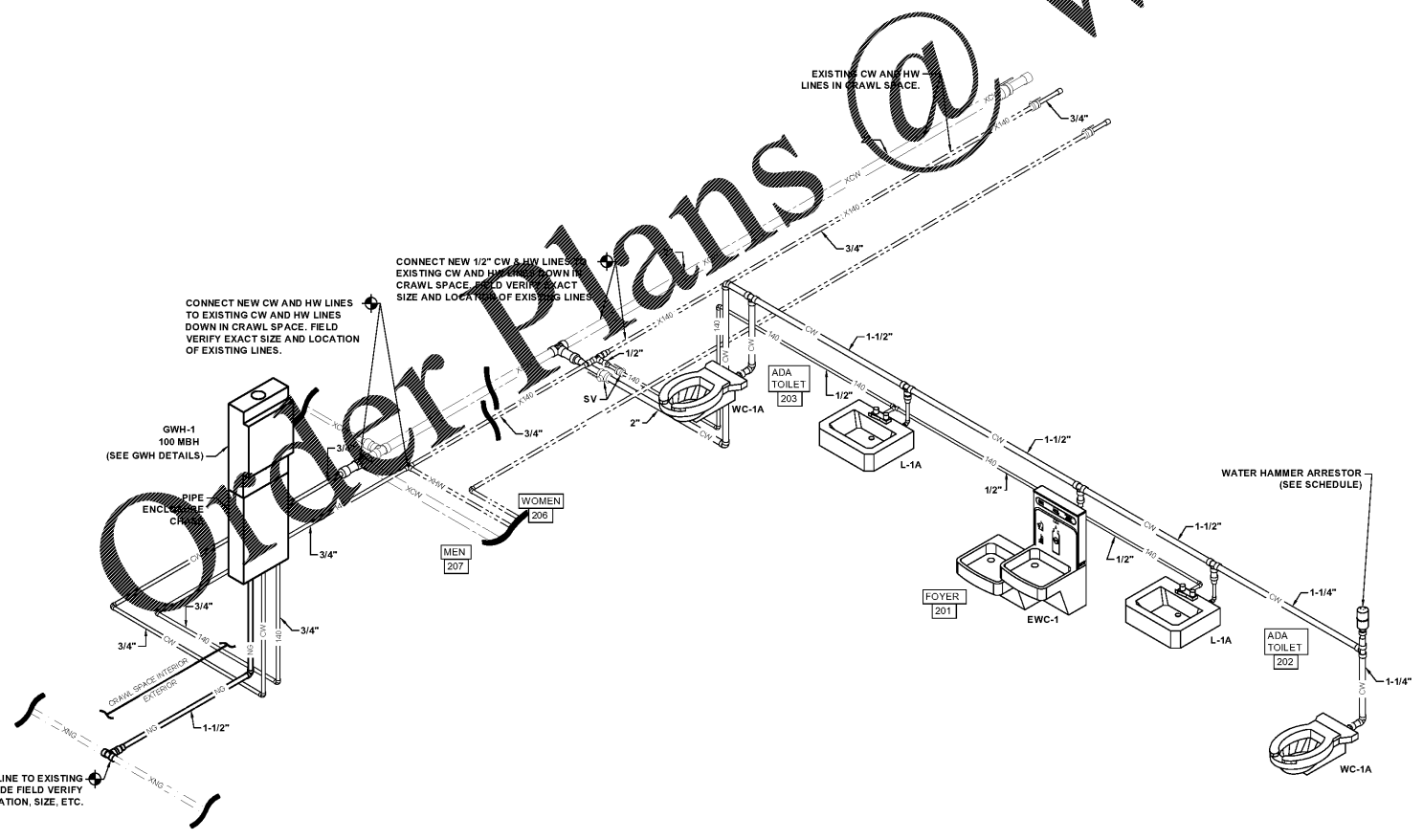
**UPPER FLOOR GAS & WATER PLUMBING RISER DIAGRAM**

NOT TO SCALE



**UPPER FLOOR WASTE PLUMBING RISER DIAGRAM**

NOT TO SCALE



DISTANCES ON RISER DIAGRAM ARE FOR REFERENCE PURPOSES ONLY.

**PLUMBING RISER DIAGRAMS - BASE BID**

NOT TO SCALE

**WHORTON ENGINEERING, INC.**  
HVAC - PLUMBING - PROCESS CONTROL

*Randee Whorton*  
RANDALL WHORTON, P.E.  
PHONE: (256) 820-9897

DATE: 01-20-2021  
25 SUMMERALL GATE ROAD  
ANNISTON, ALABAMA 36205

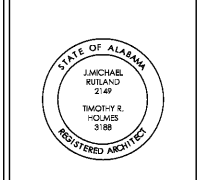


WHORTON ENGINEERING PROJECT NO. 19212



Facilities Management  
1161 West Samford Avenue  
Auburn University, AL 36849  
Phone: (334) 844-4810  
Fax: (334) 844-9458  
Safety is our first priority.  
Think Safety. Act Safely.

| No. | Revision | Date |
|-----|----------|------|
|     |          |      |
|     |          |      |
|     |          |      |
|     |          |      |
|     |          |      |
|     |          |      |
|     |          |      |
|     |          |      |
|     |          |      |
|     |          |      |



**JMR-H**  
Architecture, P.C.  
440 Dexter Avenue  
Montgomery, AL 36104  
Phone: (334) 420-5672  
Fax: (334) 420-5682  
JMR-H Project Number: 19-968  
Drawn By: DT

Auburn University Building  
Ham Wilson Arena Renovations  
Project Number 19-451

SHEET TITLE:  
PLUMBING RISER  
DIAGRAMS - BASE BID

DRAWN BY:  
RDL  
CHECKED BY:  
RDW  
DATE:  
JANUARY 21, 2021  
FILE NUMBER:

PROJECT NUMBER:  
19-451  
SHEET NUMBER:

**P3.2**