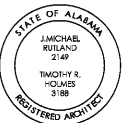




Facilities Management
 1161 West Samford Avenue
 Auburn University, AL 36849
 Phone: (334) 844-4810
 Fax: (334) 844-9458
*Safety is our first priority.
 Think Safety. Act Safely.*

No.	Revision	Date



JMR+H
 Architecture, P.C.
 446 Dexter Avenue
 Montgomery, AL 36104
 Phone: (334) 420-5672
 Fax: (334) 420-5682
 JMR+H Project Number: 19-968
 Drawn By: DT

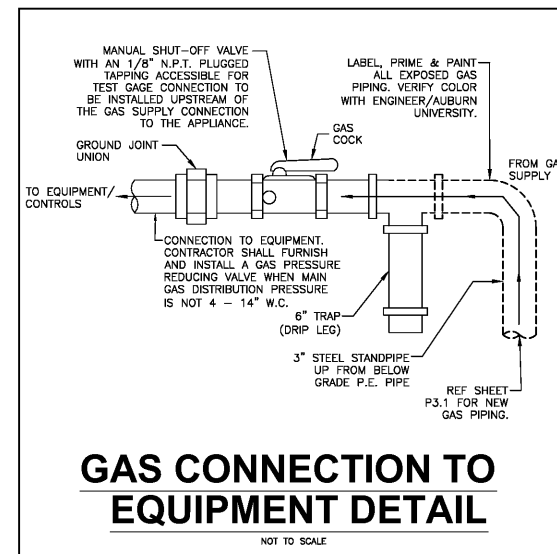
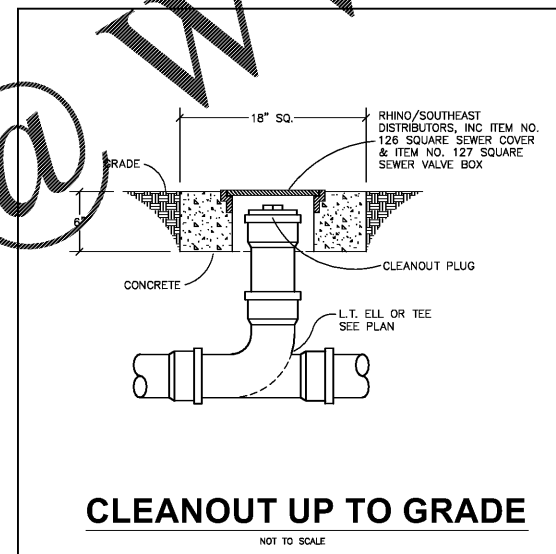
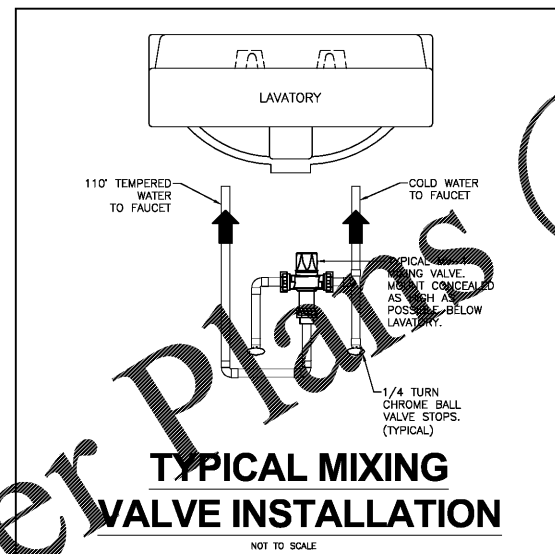
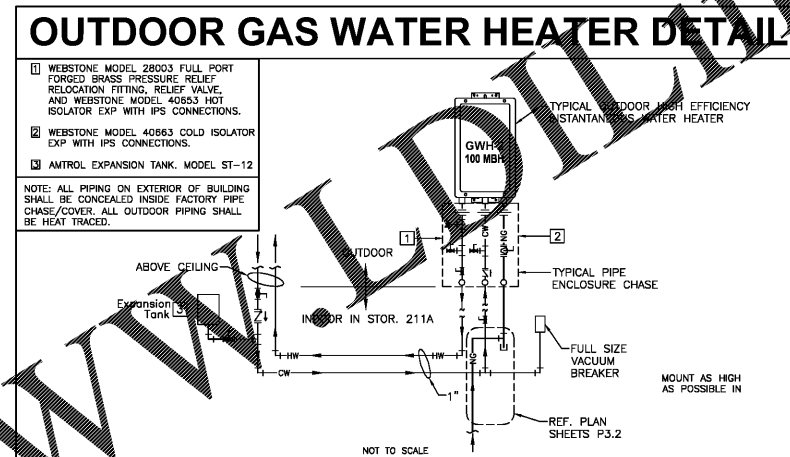
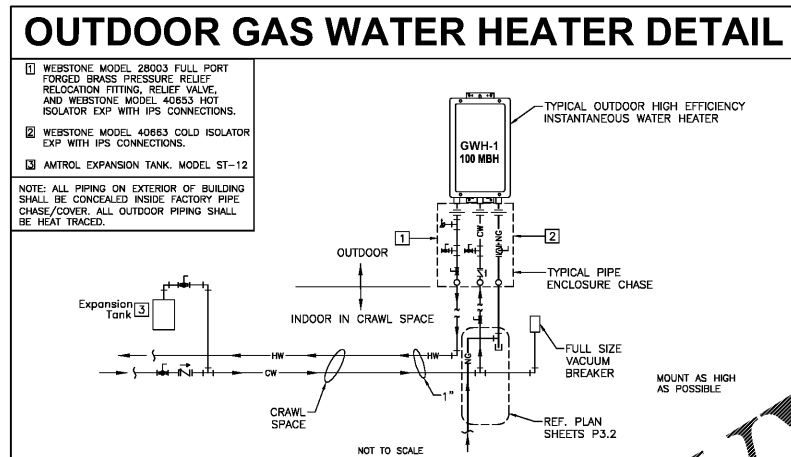
Auburn University Building
 Ham Wilson Arena Renovations
 Project Number 19-451

SHEET TITLE:
 PLUMBING DETAILS

DRAWN BY:
 RDL
 CHECKED BY:
 RDW
 DATE:
 JANUARY 21, 2021
 FILE NUMBER:

PROJECT NUMBER:
 19-451
 SHEET NUMBER:

P1.2



PLUMBING DETAILS

NOT TO SCALE

WHORTON ENGINEERING, INC.
 HVAC - PLUMBING - PROCESS CONTROL

Randall Whorton
 RANDALL WHORTON, P.E.
 PHONE: (256) 820-9897

DATE: 01-20-2021
 25 SUMMERALL GATE ROAD
 ANNISTON, ALABAMA 36205



Order Plans @ WWW.WHOE.ONLINE.COM