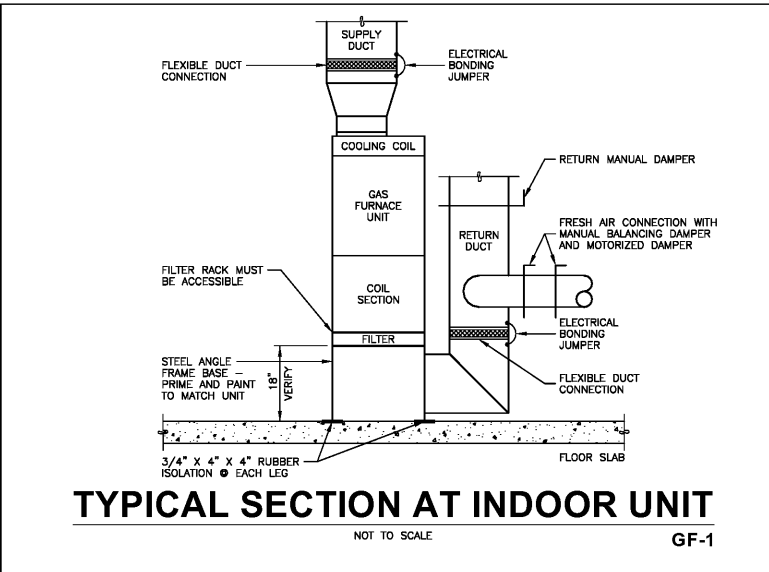
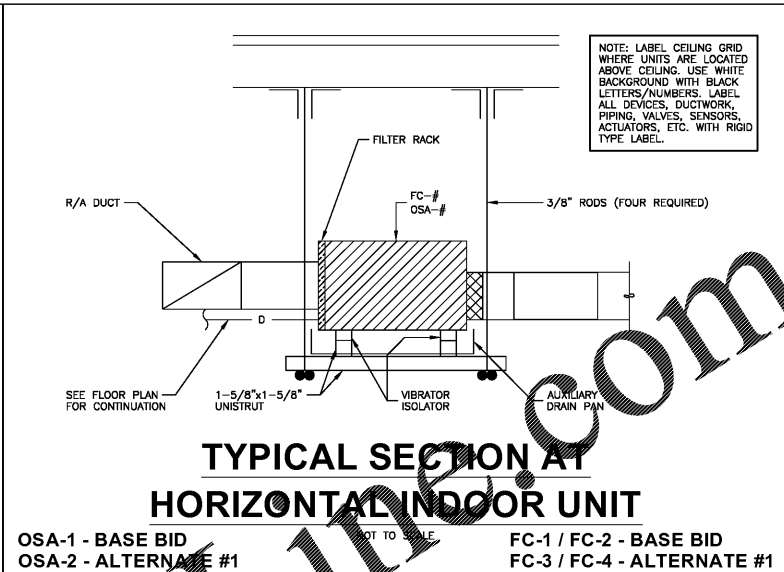


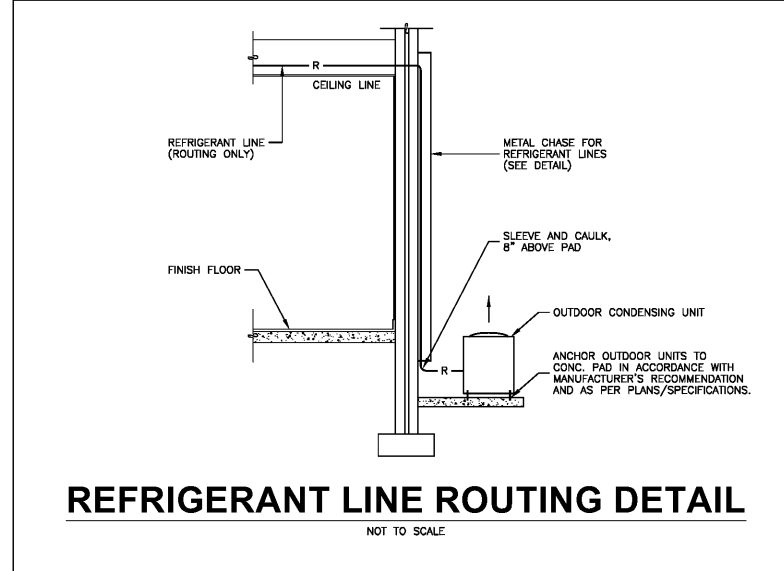
TYPICAL CONCENTRIC FLAT ROOF TERMINATION INSTALLATION DETAIL
NOT TO SCALE



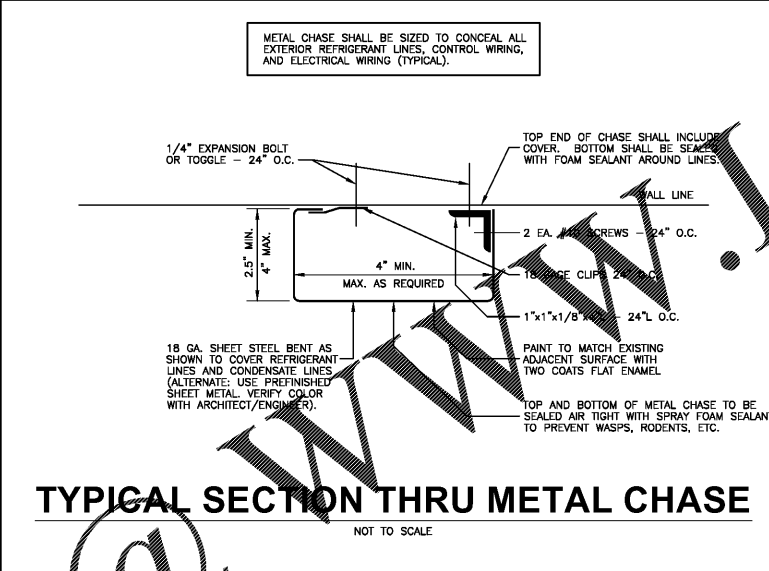
TYPICAL SECTION AT INDOOR UNIT
NOT TO SCALE GF-1



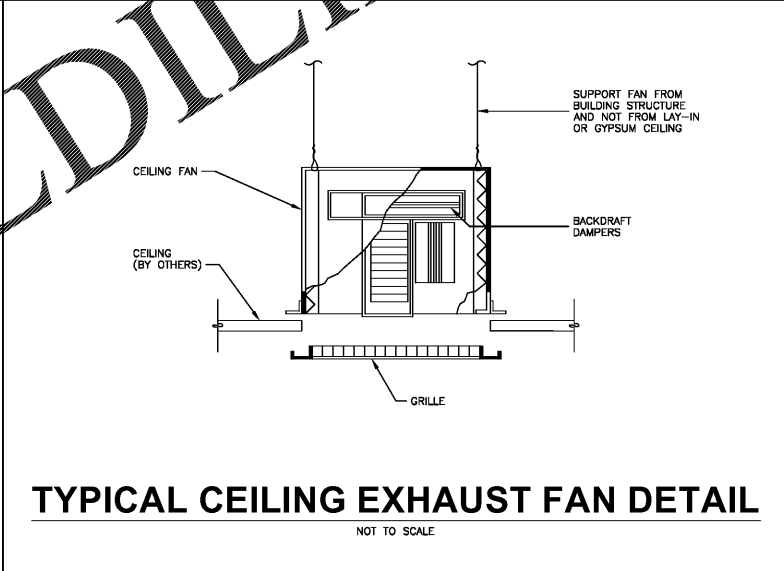
TYPICAL SECTION AT HORIZONTAL INDOOR UNIT
NOT TO SCALE
OSA-1 - BASE BID OSA-2 - ALTERNATE #1 FC-1 / FC-2 - BASE BID FC-3 / FC-4 - ALTERNATE #1



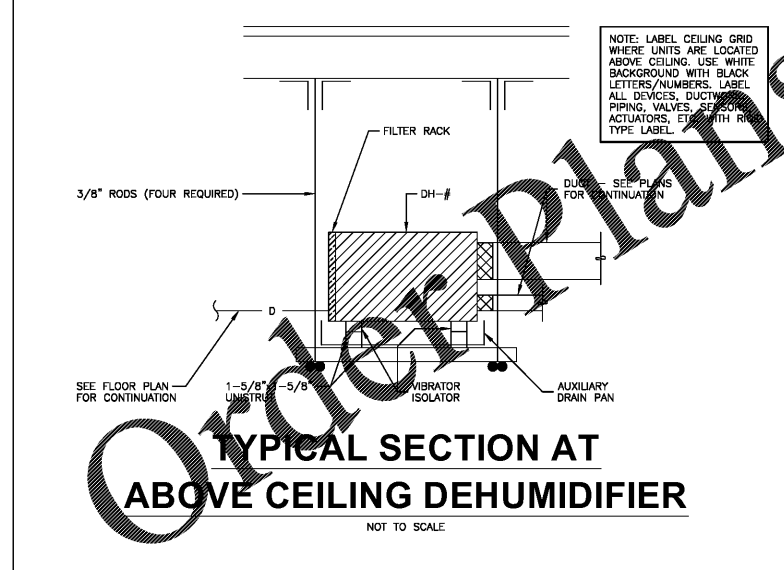
REFRIGERANT LINE ROUTING DETAIL
NOT TO SCALE



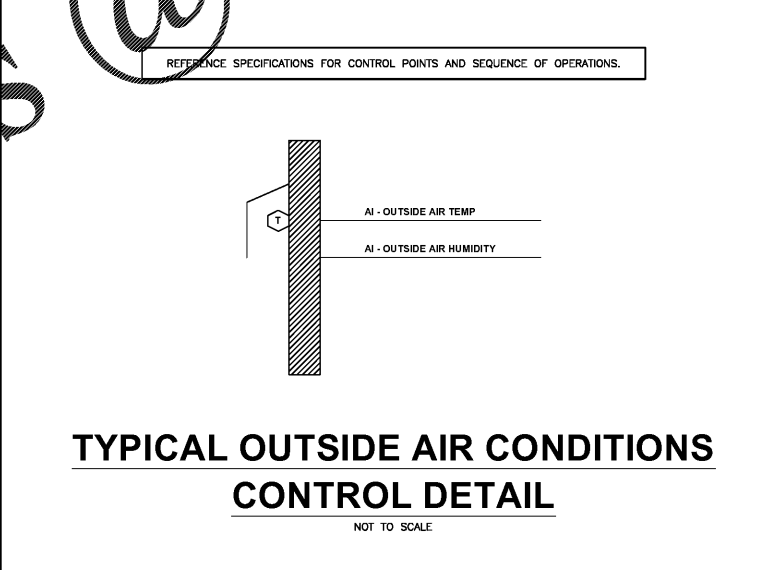
TYPICAL SECTION THRU METAL CHASE
NOT TO SCALE



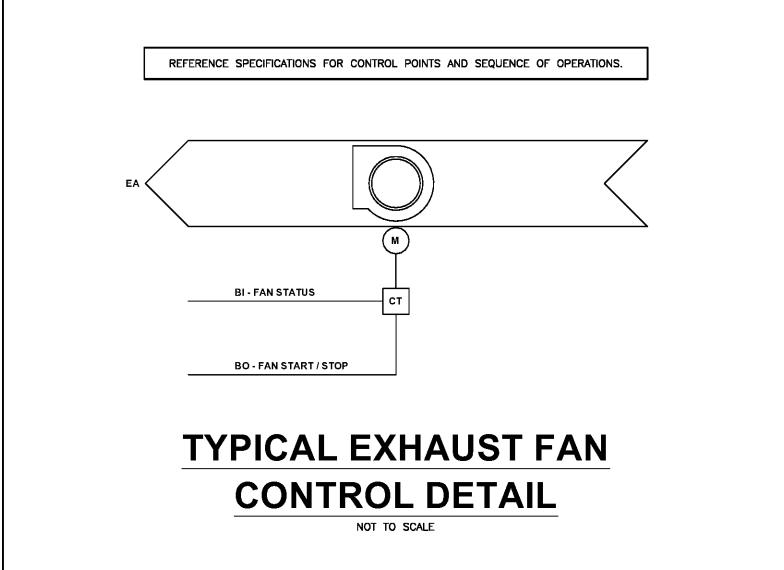
TYPICAL CEILING EXHAUST FAN DETAIL
NOT TO SCALE



TYPICAL SECTION AT ABOVE CEILING DEHUMIDIFIER
NOT TO SCALE



TYPICAL OUTSIDE AIR CONDITIONS CONTROL DETAIL
NOT TO SCALE



TYPICAL EXHAUST FAN CONTROL DETAIL
NOT TO SCALE

HVAC DETAILS



Facilities Management
1161 West Samford Avenue
Auburn University, AL 36849
Phone: (334) 844-4810
Fax: (334) 844-9458
Safety is our first priority.
Think Safety. Act Safely.

No.	Revision	Date



JMR-H
Architecture, P.C.
440 Dexter Avenue
Montgomery, AL 36104
Phone: (334) 420-5672
Fax: (334) 420-5692
JMR-H Project Number: 19-968
Drawn By: DT

Auburn University Building
Ham Wilson Arena Renovations
Project Number 19-451

SHEET TITLE:
HVAC DETAILS

DRAWN BY:
JH
CHECKED BY:
RDW
DATE:
JANUARY 21, 2021
FILE NUMBER:

PROJECT NUMBER:
19-451
SHEET NUMBER:

M2.2

WHORTON ENGINEERING, INC.
HVAC - PLUMBING - PROCESS CONTROL
Randall Whorton
RANDALL WHORTON, P.E.
PHONE: (256) 820-9897
DATE: 01-20-2021
25 SUMMERALL GATE ROAD
ANNISTON, ALABAMA 36205
WHORTON ENGINEERING PROJECT NO. 19212

