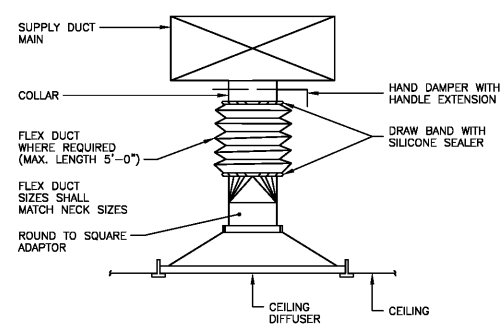


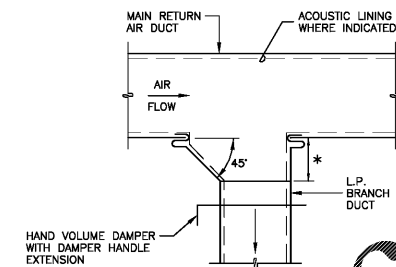
TYPICAL DIFFUSER CONNECTION

NOT TO SCALE



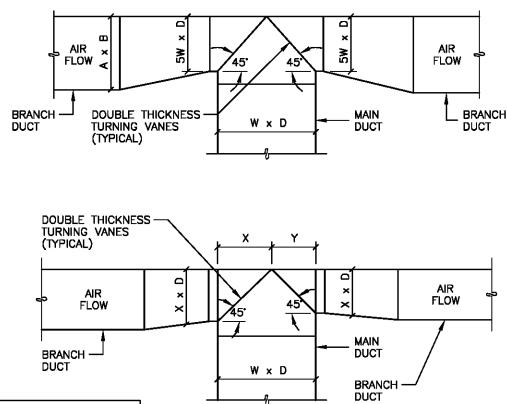
TYPICAL DIFFUSER CONNECTION

NOT TO SCALE



TYPICAL SUPPLY AIR BRANCH DUCT TAKE-OFF DETAIL

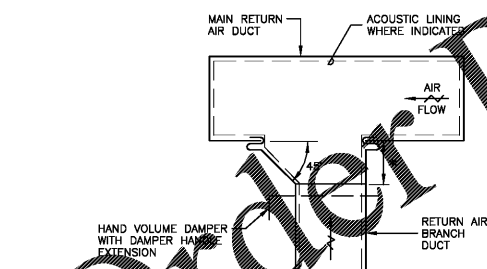
NOT TO SCALE



NOTE: DIMENSIONS "X" AND "Y" ARE EQUAL TO (BRANCH CFM + MAIN CFM) x W

DUCT TEE CONNECTION DETAIL

NOT TO SCALE



TYPICAL RETURN AIR BRANCH DUCT TAKE-OFF DETAIL

NOT TO SCALE

**AUBURN UNIVERSITY BUILDING - HAM WILSON ARENA RENOVATIONS
2015 IMC TABLE 403.3 COMPLIANCE CALCULATIONS**

ROOM NAME	AREA (SF)	PEOPLE (QTY)	OUTDOOR AIR CALCULATIONS										EXHAUST AIR				UNIT					
			PEOPLE (CFM/PERSON)	AREA (CFM/SF)	TON (VOU)	EZ	VOZ CFM	VPZ CFM	ZP VOZ/VPZ	EV	VOT	REQUIRED OSA CFM	DESIGN OSA CFM	CFM/SF	FIXTURES	UNIT		REQUIRED CFM	DESIGN CFM			
FOYER	295	3	5.0	0.08	33	0.8	41	380	0.11										GF-1			
OFFICE	326	4	5.0	0.08	40	0.8	50	485	0.10										GF-1			
TOTAL (GF-1)	621	7	5.0	0.08	73	0.8	91	865	0.11					1.0	73	73	100		GF-1			
TRAINING/COMPUTER	825	21	10.0	0.12	309	0.8	386									386	400		OSA-1/FC-1			
BRITANNIA	430	10	5.0	0.08	76	0.8	95									95	100		OSA-1/FC-2			
TRAINING	424	15	10.0	0.12	201	0.8	251									251	255		OSA-2/FC-3			
TRAINING	424	15	10.0	0.12	201	0.8	251									251	255		OSA-2/FC-4			
SEATING/DEMONSTRATION (BASE BID)	8,449	489	5.0	0.06	2,952	0.8	3,690									3,690	3,690		OSA-1 AND EXISTING GPU-1/GPU-2			
SEATING/DEMONSTRATION (ALTERNATE #1)	8,449	361	5.0	0.06	2,312	0.8	2,890									2,890	2,900		OSA-1/OSA-2 AND EXISTING GPU-1/GPU-2			
WOMEN	82																	1	75	75	75	EF-1
MEN	82																	1	75	75	75	EF-2
WOMEN	159																	3	75	225	225	EF-3
MEN	234																	7	75	525	525	EF-4

HVAC DETAILS AND COMPLIANCE CALCULATIONS

WHORTON ENGINEERING, INC.
HVAC - PLUMBING - PROCESS CONTROL

Randall Whorton
RANDALL WHORTON, P.E.
PHONE: (256) 820-9897

DATE 01-20-2021
25 SUMMERALL GATE ROAD
ANNISTON, ALABAMA 36205

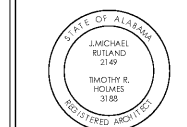


WHORTON ENGINEERING PROJECT NO. 19212



Facilities Management
1161 West Samford Avenue
Auburn University, AL 36849
Phone: (334) 844-4810
Fax: (334) 844-9458
Safety is our first priority.
Think Safety. Act Safely.

No.	Revision	Date



JMR+H Architecture, P.C.
440 Dexter Avenue
Montgomery, AL 36104
Phone: (334) 202-5672
Fax: (334) 202-5692
JMR+H Project Number: 19-451
Drawn By: DT

Auburn University Building
Ham Wilson Arena Renovations
Project Number 19-451

SHEET TITLE:
HVAC DETAILS
AND COMPLIANCE
CALCULATIONS

DRAWN BY:
JH
CHECKED BY:
RDW
DATE:
JANUARY 21, 2021
FILE NUMBER:

PROJECT NUMBER:
19-451
SHEET NUMBER:

M2.1