



Facilities Management
 1161 West Samford Avenue
 Auburn University, AL 36849
 Phone: (334) 844-4810
 Fax: (334) 844-9458
 Safety is our first priority.
 Think Safety. Act Safely.

No.	Revision	Date



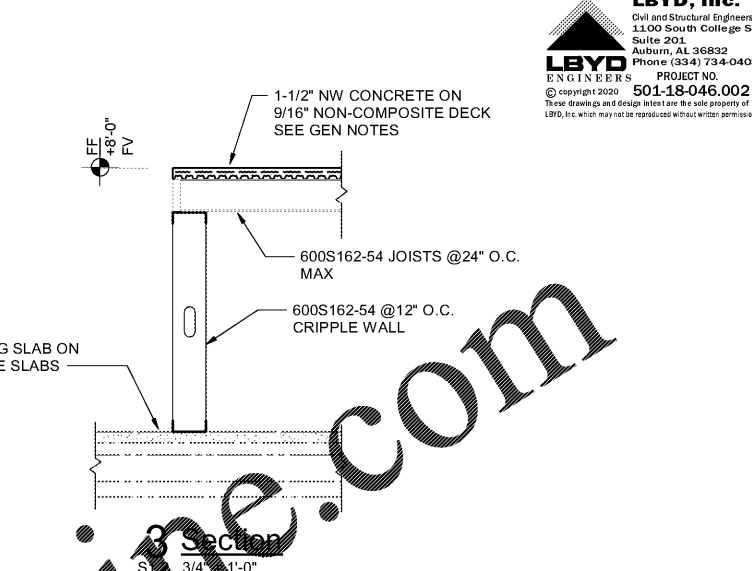
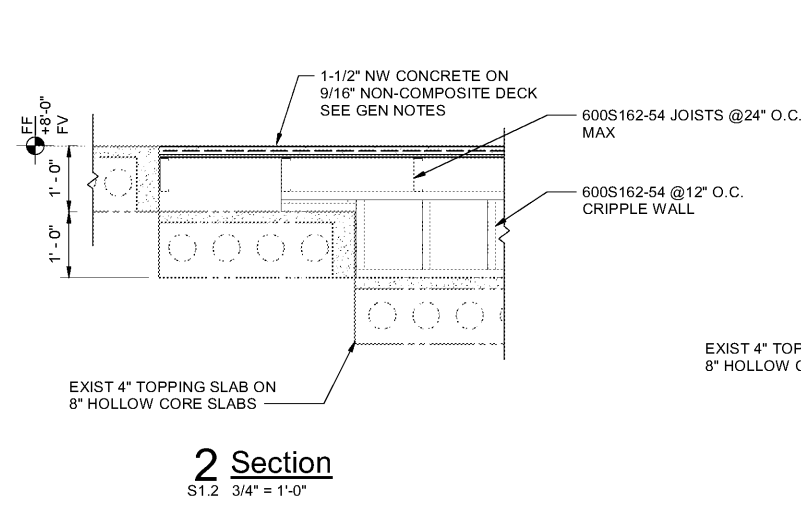
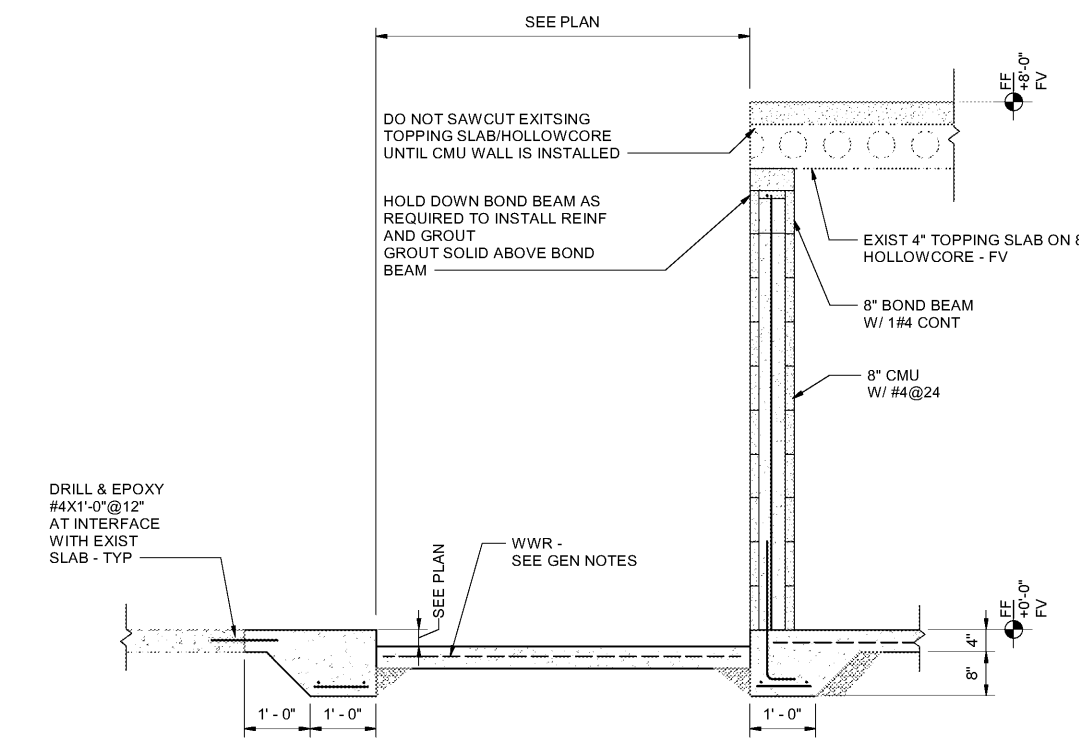
JMR+H Architecture, PC
 445 Dexter Avenue
 Suite 6050
 Montgomery, AL 36104
 Phone (334) 420-6672
 Fax (334) 420-6672
 JMR+H Project Number: 19-968
 Drawn By: DT

Auburn University Building
 Ham Wilson Arena
 Renovations
 Project Number 19-451

SHEET TITLE:
 TYPICAL DETAILS AND SECTIONS

DRAWN BY:
 BRH
 CHECKED BY:
 BRH
 DATE:
 JANUARY 21, 2021
 FILE NUMBER:
 -
 PROJECT NUMBER:
 19-451
 SHEET NUMBER:

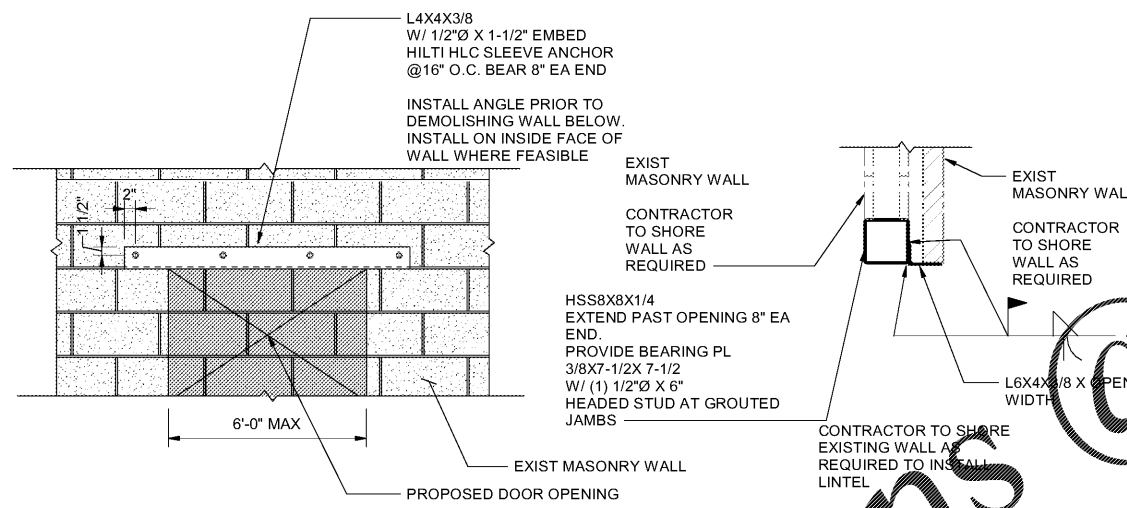
S1.2
 35 of 61



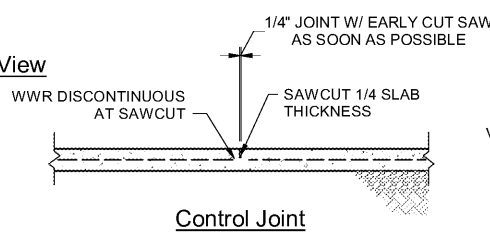
Tension Lap Splice Lengths

BAR SIZE	$f_c = 3000$			
	TOP BARS		OTHER BARS	
#3	22"	28"	17"	22"
#4	29"	37"	22"	29"
#5	36"	47"	28"	36"
#6	43"	56"	33"	43"
#7	63"	81"	48"	63"
#8	72"	93"	56"	72"
#9	81"	105"	62"	81"
#10	91"	118"	70"	91"
#11	101"	131"	78"	101"

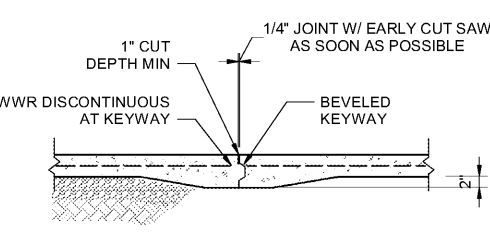
TOP BARS AND HORIZONTAL REINFORCEMENT WITH MORE THAN 12" OF CONCRETE CAST BELOW THE REINFORCEMENT.



Masonry Wall Opening



Control Joint

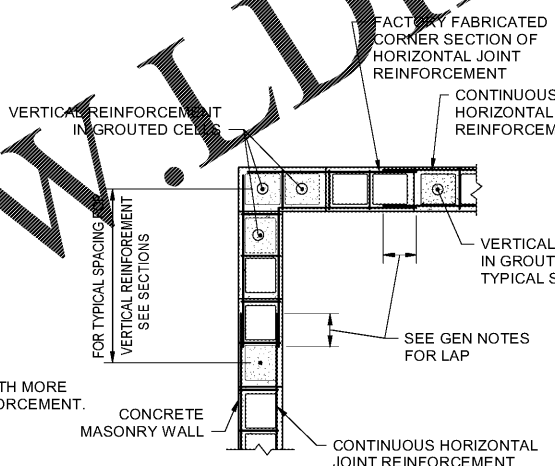


Construction Joint

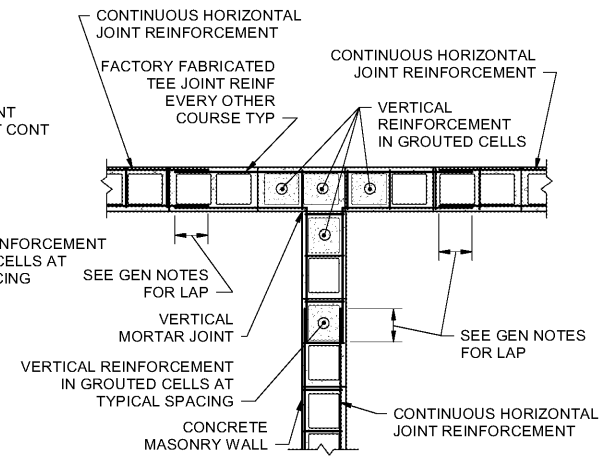
NOTES:
 1. CONTROL JOINT FILLER SEMI-RIGID EPOXY.
 2. SAWCUT TO TAKE PLACE WITHIN 4-12 HOURS OF FINISHING CONCRETE; 4 HOURS IN HOT WEATHER, 12 HOURS IN COLD WEATHER.

Slab Control Joint Details

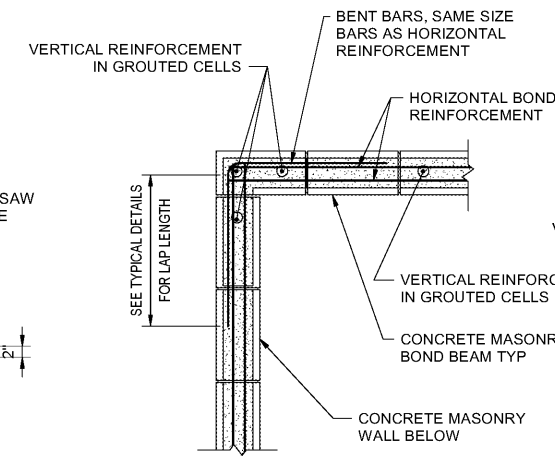
JOINT TYPE IS OPTIONAL



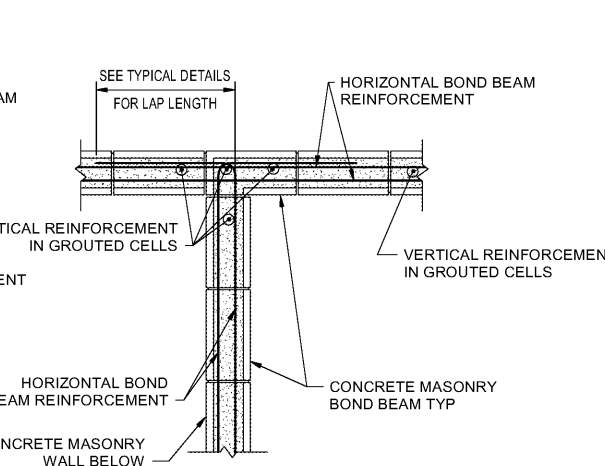
Plan Showing Joint Reinforcement at Wall Corner



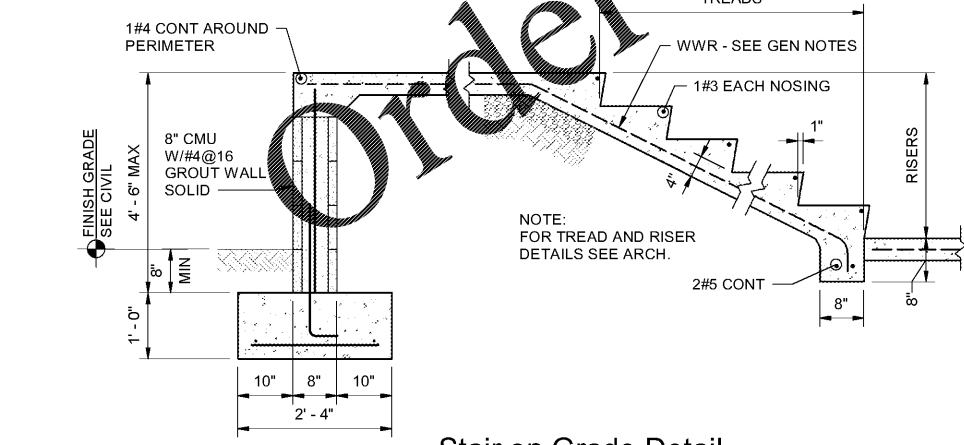
Plan Showing Joint Reinforcement at Structural Wall Intersection



Plan Showing Bond Beam Reinforcement at Wall Corner



Plan Showing Bond Beam Reinforcement at Structural Wall Intersection



Stair on Grade Detail

Order Plans @ WWW.LDILine.com