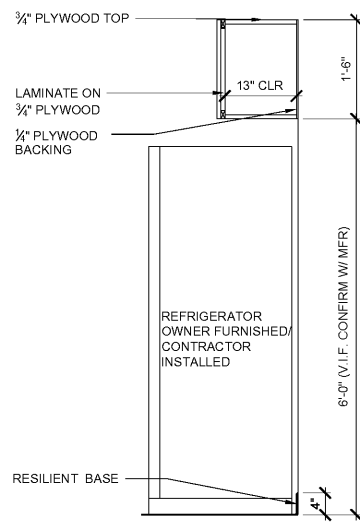
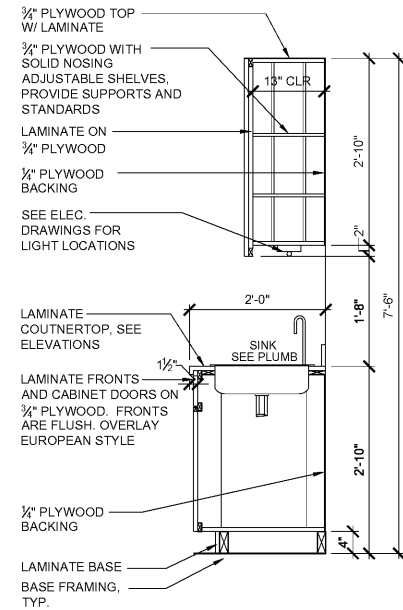


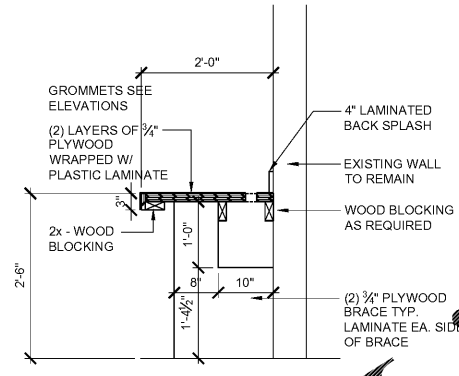
1 CABINET SECTION
A7.2 SCALE: 3/4" = 1'-0"



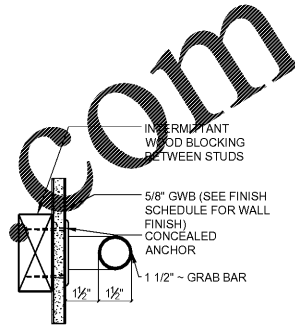
2 CABINET SECTION
A7.2 SCALE: 3/4" = 1'-0"



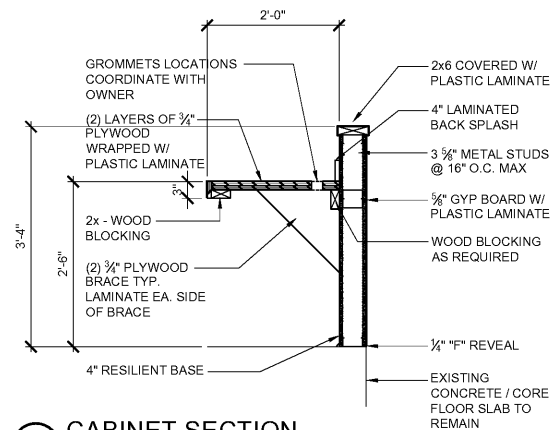
3 CABINET DETAIL
A7.2 SCALE: 3/4" = 1'-0"



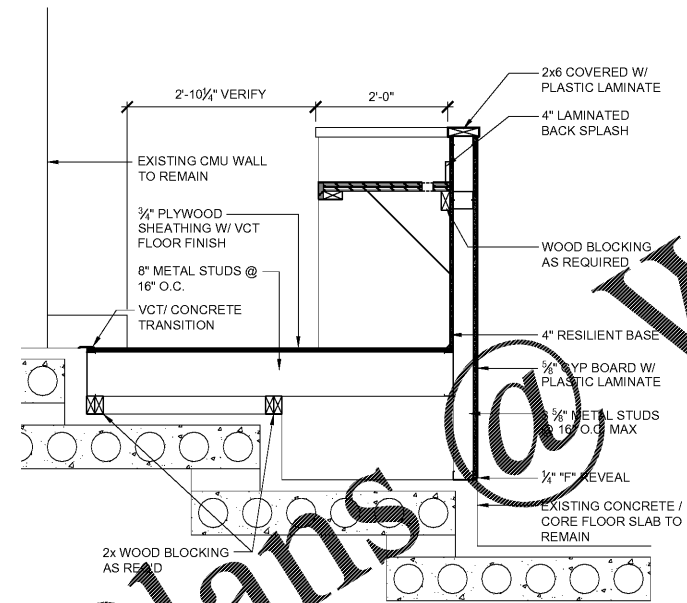
4 CABINET SECTION
A7.2 SCALE: 3/4" = 1'-0"



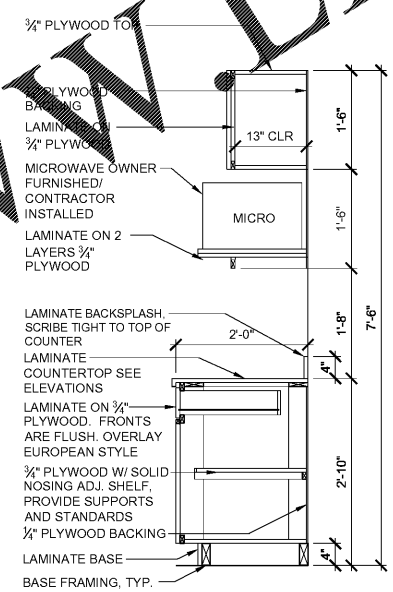
5 GRAB BAR DETAIL
A7.2 SCALE: 3" = 1'-0"



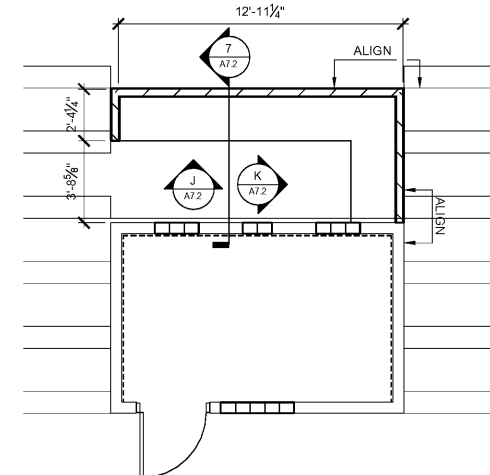
6 CABINET SECTION
A7.2 SCALE: 3/4" = 1'-0"



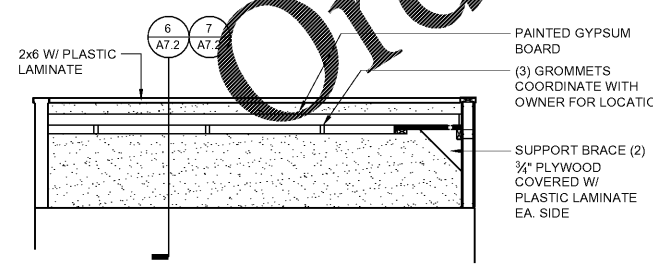
7 SECTION @ PLATFORM
A7.2 SCALE: 3/4" = 1'-0"



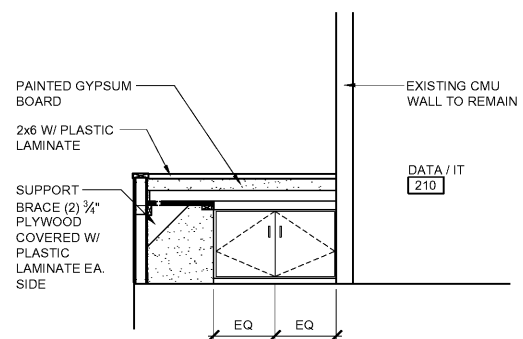
8 CABINET SECTION
A7.2 SCALE: 3/4" = 1'-0"



9 DATA / IT 210
A7.2 SCALE: 1/4" = 1'-0"



10 DATA / IT 210
A7.2 SCALE: 3/8" = 1'-0"

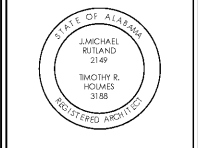


11 DATA / IT 210
A7.2 SCALE: 3/8" = 1'-0"



Facilities Management
1161 West Samford Avenue
Auburn University, AL 36849
Phone: (334) 844-4810
Fax: (334) 844-9458
Safety is our first priority.
Think Safety. Act Safely.

No.	Revision	Date
-	-	00/00/00



JMR+H Architecture, P.C.
445 Oakley Avenue
Suite 500
Montgomery, AL 36104
Phone: (334) 420-5672
Fax: (334) 420-5692
JMR+H Project Number: 19-568
Drawn By: DT

Auburn University Building
Ham Wilson Arena Renovations
Project Number 19-451

SHEET TITLE:
INTERIOR SECTIONS
& DETAILS

DRAWN BY:
DT
CHECKED BY:
JC
DATE:
JANUARY 21, 2021
FILE NUMBER:
-
PROJECT NUMBER:
19-451
SHEET NUMBER:

A7.2
32 of 61