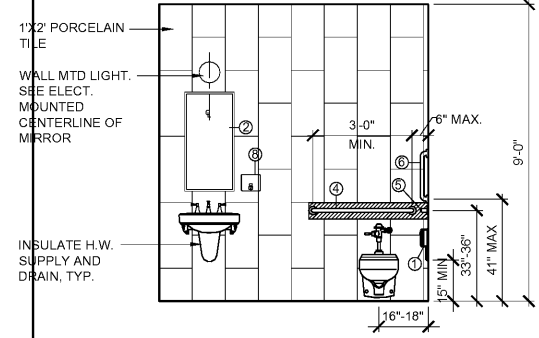
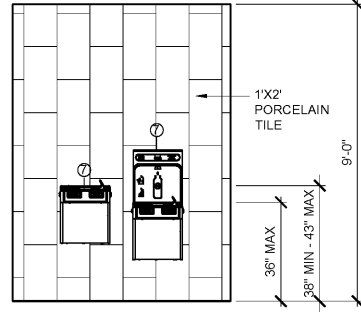


**E MEN 202**  
A7.1 SCALE: 3/8" = 1'-0"



**F WOMEN 203**  
A7.1 SCALE: 3/8" = 1'-0"

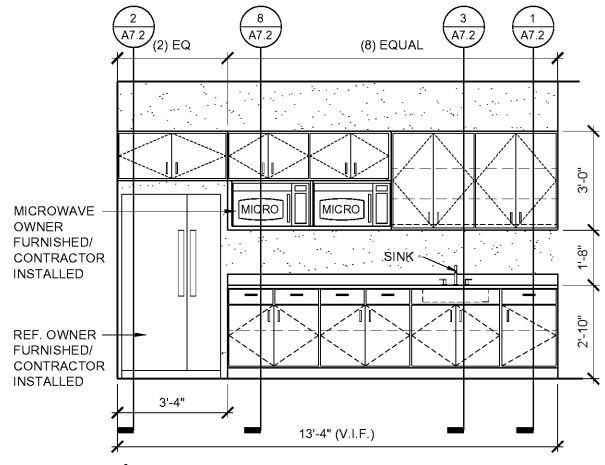


**G FOYER 201**  
A7.1 SCALE: 3/8" = 1'-0"

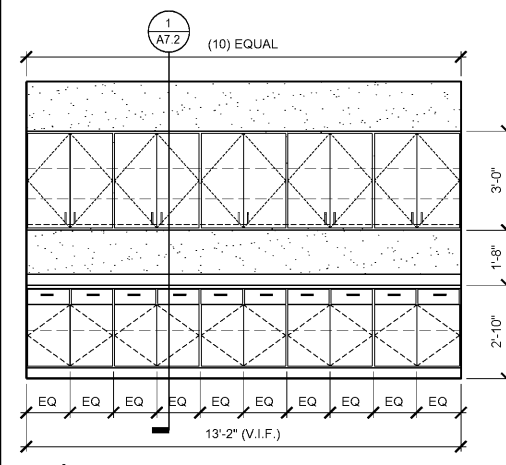
TOILET ACCESSORY SCHEDULE		
MARK	ITEM DESCRIPTION	MOUNTING HEIGHTS
1	TISSUE PAPER DISPENSER - OWNER PURCHASE / CONTRACTOR INSTALL	19" A.F.F. TO BOTTOM
2	STAINLESS STEEL FRAMED SURFACE-MOUNTED TEMPERED GLASS MIRROR W/ SHELF - BOBRICK - B-292 18x36	40" AFF TO BOTTOM EDGE OF REFLECTIVE SURFACE
3	PUSH PADDLE ROLL PAPER TOWEL DISPENSER - OWNER PURCHASE / CONTRACTOR INSTALL	MOUNT PER MFR
4	36" GRAB BAR - BOBRICK	34" AFF ON BACK WALL
5	42" GRAB BAR - BOBRICK	34" AFF ON SIDE WALL
6	18" VERTICAL GRAB BAR - B-5806 x 18	38" MIN - 42" MAX AFF
7	ELECTRIC WATER COOLER	36" MAX AFF LOWER SPOUT OUTLET & 38" - 43" AFF UPPER SPOUT OUTLET
8	WALL-MOUNTED SOAP DISPENSER - OWNER PURCHASE / CONTRACTOR INSTALL	FOUNDER MANUFACTURE

RE: TOILET ELEVATIONS  
 1. TYPICAL ELEVATIONS SHOW LOCATION AND MOUNTING HEIGHTS OF TOILET FIXTURES AND ACCESSORIES.  
 2. DIMENSIONS LOCATION TOILET ACCESSORIES, INCLUDING TOILET PARTITIONS AND URINAL SCREENS, ARE TYPICAL, UNO.  
 3. WHERE SPECIFIED, TILE SHALL BE CENTERED ON WALL.

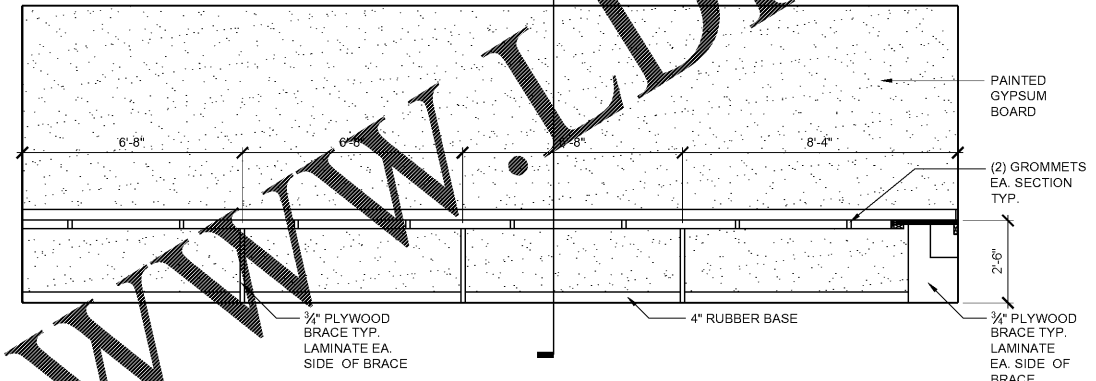
RE: TOILET PLANS  
 1. ENLARGED TOILET PLANS SHOW LOCATION OF TOILET FIXTURES, ACCESSORIES, AND NOTES. SEE 1" FLOOR PLANS FOR ALL INFORMATION REGARDING WALL TYPES, CONSTRUCTION NOTES, AND ROOM FINISHES.  
 2. SET ALL FLOOR DRAINS IN NEW SLABS AT -0'-1" AND SLOPE FLOOR TO DRAIN. COORD. WITH STRUCTURAL AND PLUMBING.  
 3. ALL DIMENSIONS SHOWN ON THIS SHEET ARE TO FINISH FACE, UNO.



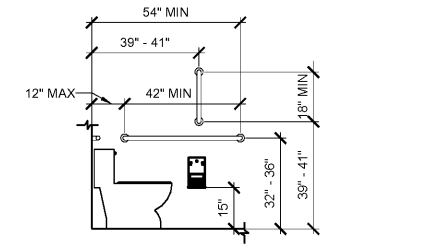
**A BREAKROOM 215**  
A7.1 SCALE: 3/8" = 1'-0"



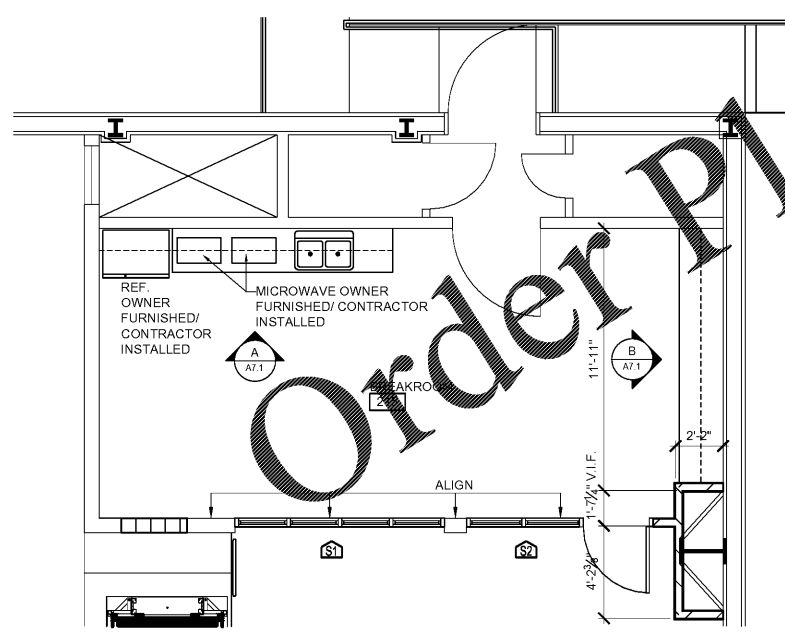
**B BREAKROOM 215**  
A7.1 SCALE: 3/8" = 1'-0"



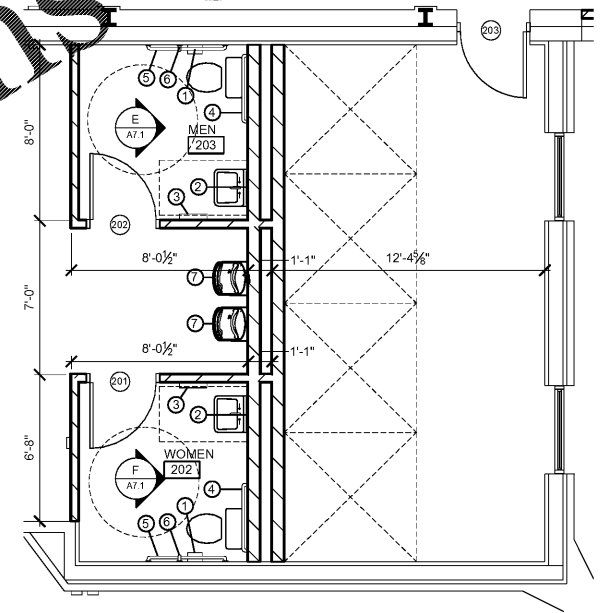
**C TRAINING / COMPUTER 213**  
A7.1 SCALE: 3/8" = 1'-0"



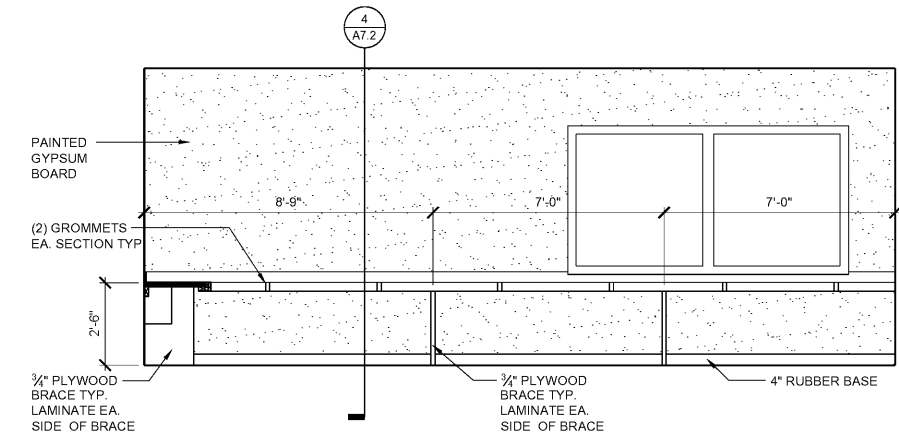
**H SIDE WALL GRAB BAR MOUNTING DETAIL TYP.**  
A7.1 SCALE: 3/8" = 1'-0"



**1 BREAKROOM 215**  
A7.1 SCALE: 1/4" = 1'-0"



**2 TOILETS 202 & 203**  
A7.1 SCALE: 1/4" = 1'-0"

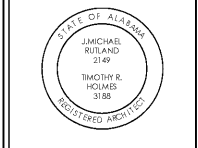


**D TRAINING / COMPUTER 213**  
A7.1 SCALE: 3/8" = 1'-0"



Facilities Management  
 1161 West Samford Avenue  
 Auburn University, AL 36849  
 Phone: (334) 844-4810  
 Fax: (334) 844-9458  
*Safety is our first priority.  
 Think Safety. Act Safely.*

No.	Revision	Date
-	-	00/00/00



JMR-H Architecture, P.C.  
 440 Greer Avenue  
 Montgomery, AL 36104  
 Phone: (334) 420-5672  
 Fax: (334) 420-5692  
 JMR-H Project Number: 19-968  
 Drawn By: DT

Auburn University Building  
 Ham Wilson Arena Renovations  
 Project Number 19-451

SHEET TITLE:  
 LARGE SCALE PLANS, INTERIOR ELEVATIONS & DETAILS

DRAWN BY:  
 DT  
 CHECKED BY:  
 J. CAHILL  
 DATE:  
 JANUARY 21, 2021  
 FILE NUMBER:  
 -  
 PROJECT NUMBER:  
 19-451  
 SHEET NUMBER:

**A7.1**  
 31 of 61