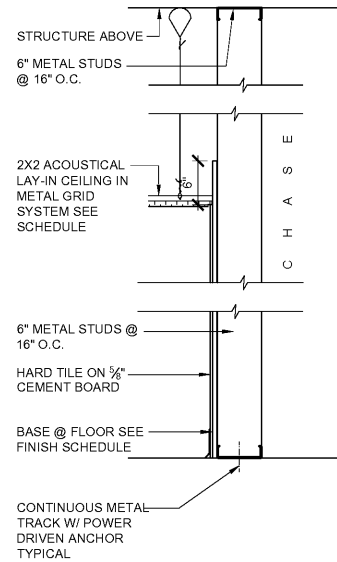
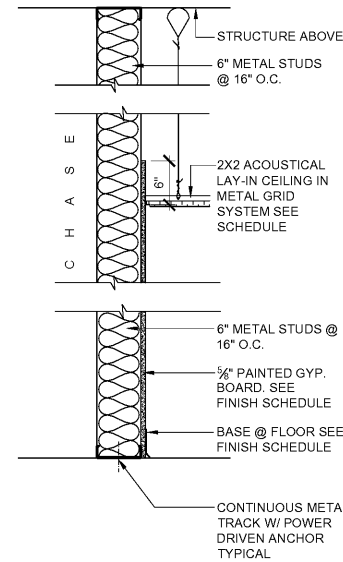


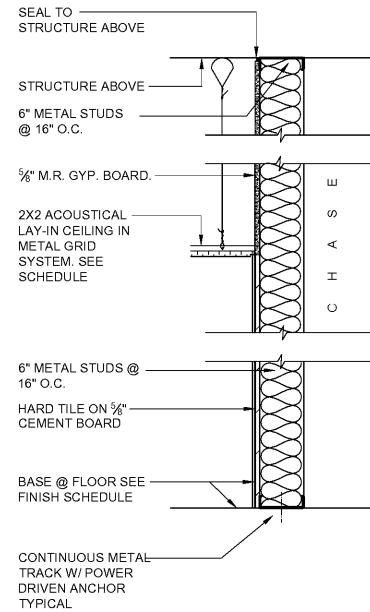
1 WALL TYPE 1
SCALE: 1" = 1'-0"



2 WALL TYPE 2
SCALE: 1" = 1'-0"

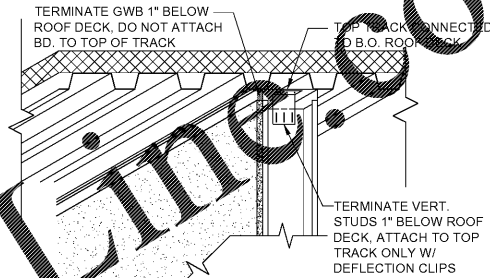


3 WALL TYPE 3
SCALE: 1" = 1'-0"

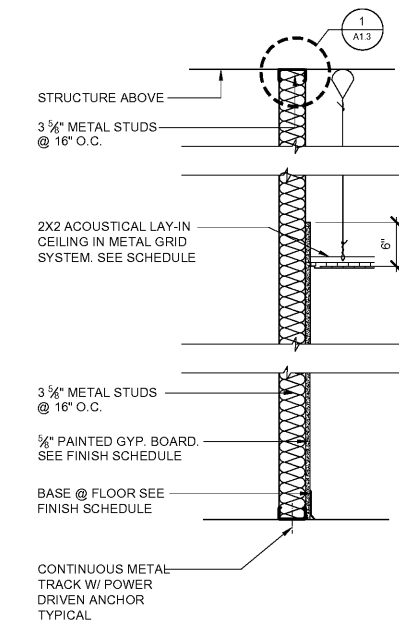


4 WALL TYPE 4
SCALE: 1" = 1'-0"

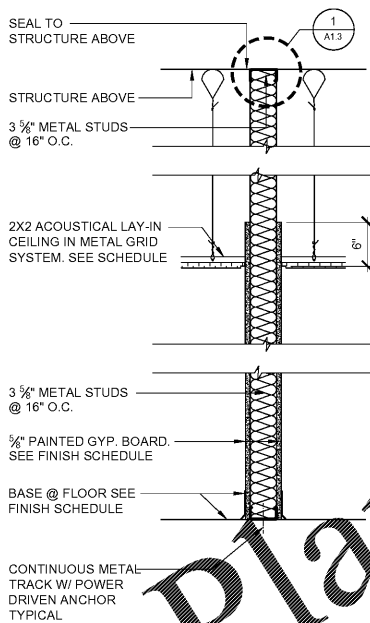
- GENERAL PARTITION NOTES:
- ALL WALL STUDS, ALL FURRING AND CEILING JOISTS TO BE COLD FORMED METAL MEMBERS PER SPECIFICATIONS.
 - SEE SPECIFICATIONS FOR WALL STUD / FURRING MATERIAL GAUGE AND BRACING REQUIREMENTS.
 - RESTROOM CEILING JOIST TO BE 16 GAUGE METAL.
 - ALL STUDS / FURRING RECEIVING M.R. GYPSUM BOARD, CEMENTITIOUS BOARD AND/OR FRP FINISH TO BE SPACED @ 16" O.C..
 - FURNISH AND INSTALL FRT WOOD BLOCKING IN WALLS FOR ALL WALL MOUNTED FIXTURES AND ACCESSORIES.
 - FURNISH AND INSTALL GYPSUM AND CEMENTITIOUS SHEATHING PER SPECIFICATIONS.
 - ALL STUDS RUNNING VERTICALLY UP TO BOTTOM OF ROOF OR MEZZANINE STRUCTURE/DECK TO BE STOPPED 1" SHORT AND CONNECTED W/ DEFLECTION CLIPS PER SPECIFICATIONS.
 - FURNISH AND INSTALL THERMAL/SOUND INSULATION BATTS PER SPECIFICATIONS.
 - ALL NEW SHEATHING ON "WET" WALLS AND/OR RECEIVING TILE FINISH TO BE 5/8" CEMENTITIOUS BOARD UP TO CEILING AS SHOWN ON DRAWINGS
 - SEE SHEETS A2.2 & A2.3 FOR FINISHES.



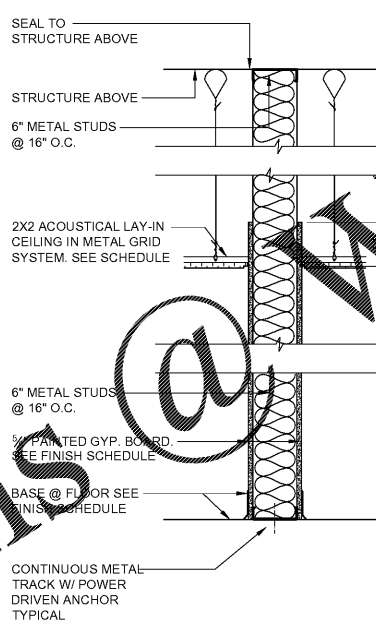
1 DETAIL
SCALE: 1 1/2" = 1'-0"



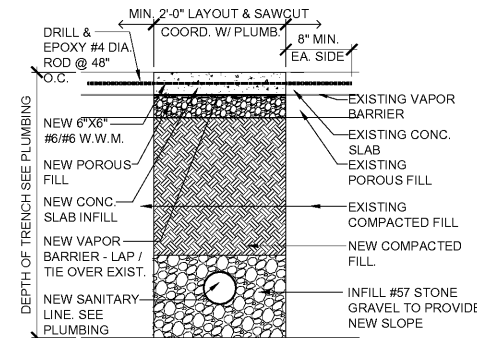
5 WALL TYPE 5
SCALE: 1" = 1'-0"



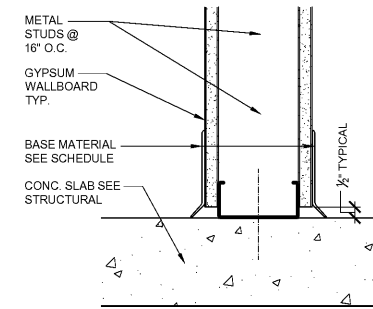
6 WALL TYPE 6 - ALT
SCALE: 1" = 1'-0"



7 WALL TYPE 7 - ALT
SCALE: 1" = 1'-0"



2 TRENCH CUT REPAIR DETAIL @ NEW TOILETS
SCALE: 3/4" = 1'-0"



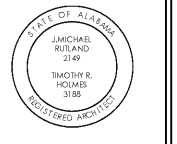
3 DETAIL
SCALE: 3" = 1'-0"

Order Plans @ WWW.LDILLINE.COM



Facilities Management
1161 West Samford Avenue
Auburn University, AL 36849
Phone: (334) 844-4810
Fax: (334) 844-9458
Think safety. Act safely.

No.	Revision	Date
-	-	00/00/00



JMR-H Architecture, PC
440 Geneva Avenue
Montgomery, AL 36104
Phone: (334) 420-5672
Fax: (334) 420-5692
JMR-H Project Number: 19-968
Drawn By: DT

Auburn University Building
Ham Wilson Arena Renovations
Project Number 19-451

SHEET TITLE:
WALL TYPES

DRAWN BY:
DT
CHECKED BY:
J. CAHILL
DATE:
JANUARY 21, 2021
FILE NUMBER:
-
PROJECT NUMBER:
19-451
SHEET NUMBER:

A1.3
22 of 61