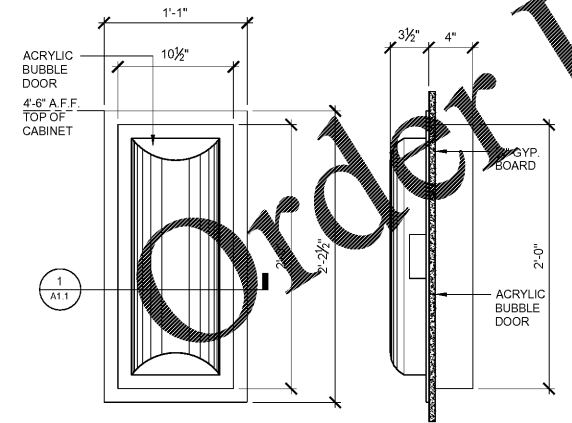
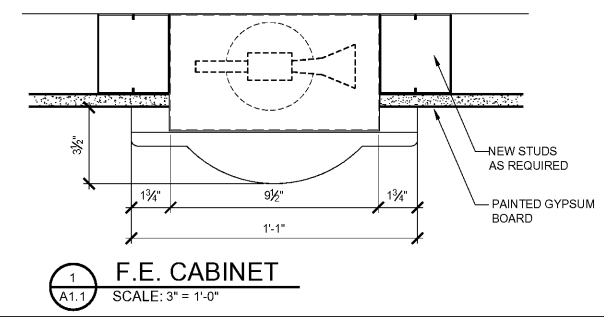


A PLAN DETAIL
SCALE: 1 1/2" = 1'-0"



B TYPICAL F.E. CABINET
SCALE: 1 1/2" = 1'-0"

NOTE: FURNISH AND INSTALL 3/4" METAL STUD FRAMING AND BLOCKING AS REQUIRED

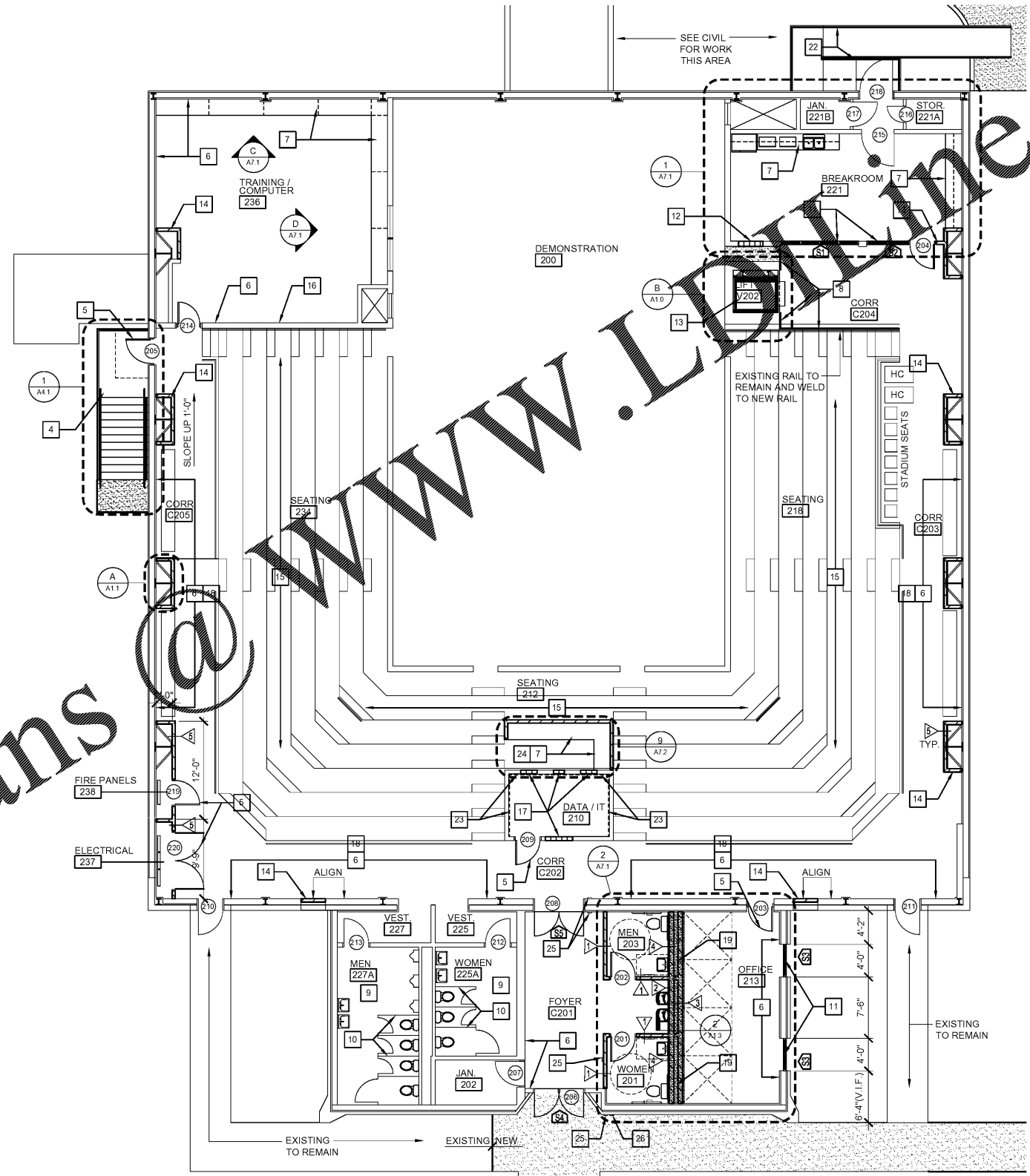


1 F.E. CABINET
SCALE: 3" = 1'-0"

PLAN LEGEND

(1)	DOOR MARK	(A A2.1)	PLAN OR SECTION ENLARGEMENT
205	ROOM FINISH MARK	(A A2.1)	8" CMU
(A A2.1)	DETAIL OR ELEVATION NUMBER	(S)	METAL STUD WALL
(A A2.1)	SHEET NUMBER	(S)	ALUMINUM STOREFRONT MARK
(A A2.1)	ELEVATION KEY	(W)	WALL TYPE
(A A2.1)	SECTION KEY	(F)	FIRE EXT. CABINET
(A A2.1)	DETAIL KEY		

- GENERAL NOTES**
- DIMENSIONS SHOWN ON FLOOR PLAN ARE FROM FACE OF STUD TO FACE OF STUD OR CMU TYPICAL (U.N.O.)
 - SEE REFLECTED CEILING PLAN FOR BULKHEAD DROPS AND CEILING HEIGHT CHANGES.
 - COORDINATE INSTALLATION ROUGH-IN OF ALL OWNER PROVIDED EQUIPMENT W/ MANUFACTURER DATA AND CUT SHEETS.
 - FINISH AND INSTALL FIRE EXTINGUISHERS AND FIRE EXTINGUISHER CABINETS AS SHOWN ON LIFE SAFETY PLAN. VERIFY LOCATIONS WITH LOCAL AUTHORITY HAVING JURISDICTION.
 - CLEAN, PATCH & REPAIR EXISTING CONCRETE SLAB DAMAGED AS A RESULT OF DEMOLITION. REMOVE SURFACE DEBRIS. ENSURE ALL CHIPPED, CRACKED, DIVETED, PITTED AND SPALLED AREAS HAVE BEEN THOROUGHLY LEVELLED AND PREPARE FLOOR SLAB FOR NEW FINISH. SEE FINISH SCHEDULE.
 - THE PLANS AND SPECIFICATIONS DO NOT DETERMINE THE RESPONSIBILITIES OF THE GENERAL CONTRACTOR AND HIS SUB-CONTRACTORS. ALL DRAWINGS AND SPECIFICATIONS REFER TO ALL TRADES REQUIRED TO COMPLETE THE PROJECT. PLANS AND SPECIFICATIONS SHOULD NOT BE SEPARATED.
 - MAINTAIN THE EXISTING BUILDING / SITE IN A SAFE AND WEATHERIGHT CONDITION THROUGHOUT THE CONSTRUCTION PERIOD. TAKE ALL PRECAUTIONS NECESSARY TO PROTECT THE BUILDING DURING THE CONSTRUCTION PERIOD.
 - THE GENERAL CONTRACTOR IS RESPONSIBLE TO SEE ALL CONSTRUCTION MATERIALS ARE STORED IN A NEAT AND ORDERLY MANNER AS TO NOT INTERFERE WITH THE NORMAL OPERATIONS.
 - GRADING AND MAJOR CURB HEIGHTS ARE SET BY CIVIL DRAWINGS. HARDSCAPE AND DETAIL CURB HEIGHTS ARE SET BY ARCHITECTURAL DRAWINGS. COORDINATE AS REQUIRED. NOTIFY ARCHITECT OF ANY AND ALL DISCREPANCIES. REFER TO CIVIL DRAWINGS FOR COMPLETE SITE LAYOUT AND GRADING INFORMATION.
 - THE GENERAL CONTRACTOR IS RESPONSIBLE FOR DISPOSAL OF ALL DEMOLITION MATERIALS.



UPPER FLOOR PLAN - BASE BID
SCALE: 1/8" = 1'-0"

WORK SCHEDULE- PLAN

- FURNISH AND INSTALL NEW PRE-FINISHED INSULATED ROLL UP DOOR AND FRAME. PATCH, REPAIR, AND RESTORE EXISTING FINISHES AS REQUIRED TO ACCOMMODATE NEW PAINT APPLICATION.
- FURNISH AND INSTALL NEW REINFORCED CONCRETE FLOOR SEE STRUCTURAL DRAWINGS.
- FURNISH AND INSTALL NEW 8"x8"x16" CMU W/ HORIZONTAL REINFORCING @ 16" O.C. VERTICAL FILL ALL CELLS W/ MIN. 3000 PSI CONCRETE.
- FURNISH AND INSTALL NEW PAINTED METAL STAIR, LANDING AND RAILING SEE DETAIL.
- FURNISH AND INSTALL NEW PAINTED DOOR, FRAME AND HARDWARE. PATCH, REPAIR, AND RESTORE FINISHES AS REQUIRED. SEE SCHEDULE.
- FURNISH AND INSTALL NEW GYPSUM BOARD OVER EXISTING WALL FINISH.
- FURNISH AND INSTALL NEW MILLWORK. SEE INTERIOR ELEVATIONS.
- FURNISH AND INSTALL NEW METAL RAIL SYSTEM. MATCH EXISTING.
- STEAM CLEAN AND SANITIZE ALL HARD TILE. REPLACE LOOSE AND/OR MISSING GROUT TYPICAL. INDUSTRIAL CLEAN ALL EXISTING TOILET FIXTURES. SEE PLUMBING DWGS.
- CLEAN, PREP, PRIME AND PAINT EXISTING TOILET PARTITIONS TYPICAL.
- FURNISH AND INSTALL NEW ALUMINUM STOREFRONT WINDOW SYSTEM. TOOTH-IN SALVAGED BRICK VENEER AND TOOL JOINTS. SEE STOREFRONT SCHEDULE.
- INFILL WALL W/ 8"x8"x16" MASONRY TO MATCH EXISTING
- FURNISH AND INSTALL NEW ADA LIFT. SEE SPECS AND DETAILS
- FURNISH AND INSTALL NEW 3/4" METAL STUDS @ 16" O.C. W/ 5/8" PAINTED GYPSUM BOARD.
- PATCH AND REPAIR EXISTING CONCRETE FLOOR / RISER AT EXISTING STADIUM SEATING CONNECTIONS. PREPARE SURFACE AS REQUIRED TO RECEIVE NEW FINISH SEE FINISH SCHEDULE.
- FURNISH AND INSTALL NEW WOOD BLOCKING AS REQUIRED TO ACCOMMODATE NEW MONITOR MOUNTS. SEE ELECTRICAL DRAWINGS.
- INFILL WALL W/ 4"x8"x16" CMU INFILL TO MATCH EXISTING. VERIFY CMU SIZE
- FURNISH AND INSTALL NEW METAL FURRING @ 24" O.C. TO MATCH DEPTH OF EXISTING SUBSTRATE TYPICAL.
- FURNISH AND INSTALL NEW CONCRETE SLAB INFILL AS REQUIRED TO ACCOMMODATE A LEVEL SURFACE AND PREPARE TO RECEIVE NEW FLOOR FINISH.
- FURNISH AND INSTALL EPOXY PAINT ON ALL WALLS AND CEILING.
- FURNISH AND INSTALL SPRAY FOAM INSULATION @ EXPOSED METAL PANEL CONDITIONS. TYPICAL
- FURNISH AND INSTALL NEW METAL RAIL SYSTEM. PATCH AND REPAIR CONCRETE AS REQUIRED.
- FURNISH AND INSTALL NEW PAINTED PLYWOOD WAINSCOT TO 8'-0" A.F.F. TYP. PAINT GRAY TYP.
- FURNISH AND INSTALL RAISED PLATFORM, 2x8 FRT WOOD FRAMING @ 16" O.C. W/ 3/4" FRT PLYWOOD SHEATHING. SEE DETAIL ON A7.2
- FURNISH AND INSTALL NEW ADA PUSH BUTTON. SEE ELECTRICAL.
- FURNISH AND INSTALL NEW CARD READER. SEE ELECTRICAL

No.	Revision	Date
-	-	00/00/00

STATE OF ALABAMA
JAMICHAEL R. HOLLAND
1149
TIMOTHY R. HOLMES
3188
REGISTERED ARCHITECT

JMR-H Architecture, P.C.
440 Geneva Avenue
Montgomery, AL 36104
Phone: (334) 420-5672
Fax: (334) 420-5692
JMR-H Project Number: 19-968
Drawn By: DT

**Auburn University Building
Ham Wilson Arena Renovations
Project Number 19-451**

SHEET TITLE:
UPPER FLOOR
PLAN - BASE
BID

DRAWN BY:
DT

CHECKED BY:
J. CARLE

DATE:
JANUARY 21, 2021

FILE NUMBER:
-

PROJECT NUMBER:
19-451

SHEET NUMBER:
A1.1

20 of 61