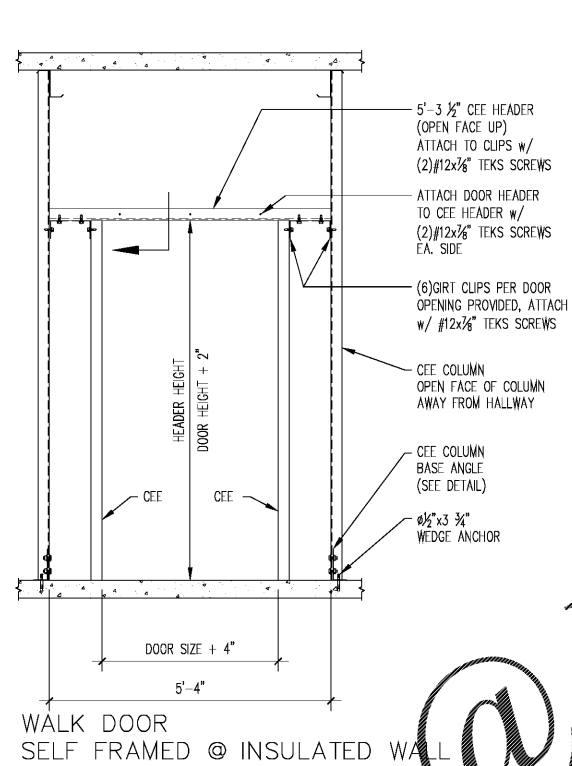
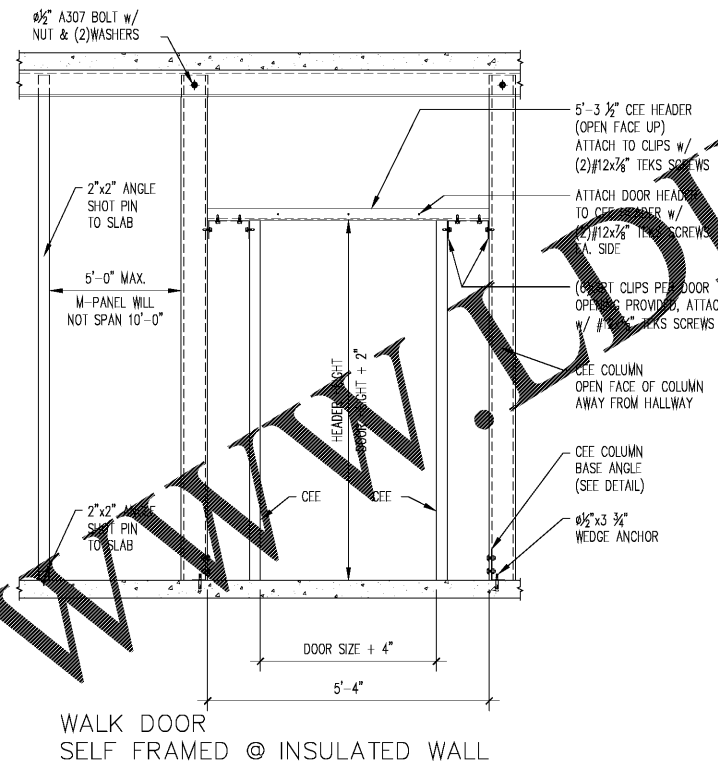


Order Plans @

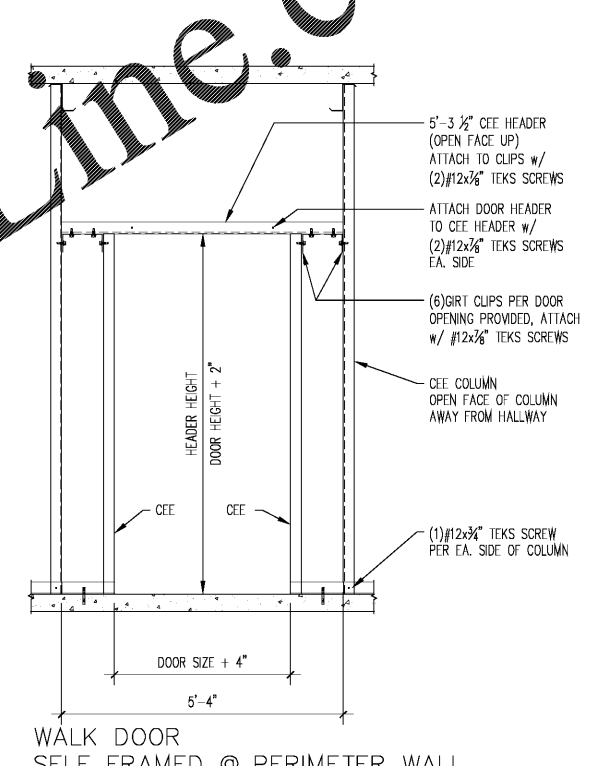
WWW.DIline.com



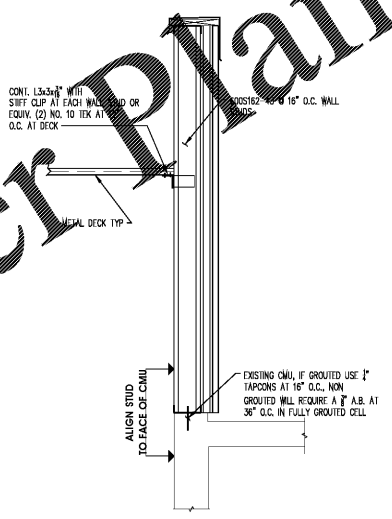
1 WALK DOOR SELF FRAMED @ INSULATED WALL
SCALE: N.T.S. TYPICAL FOR INSULATED WALL RUNNING WIDTH OF BUILDING



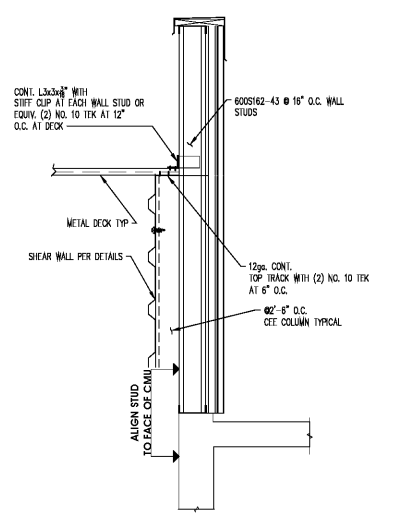
2 WALK DOOR SELF FRAMED @ INSULATED WALL
SCALE: N.T.S. TYPICAL FOR INSULATED WALL RUNNING LENGTH OF BUILDING



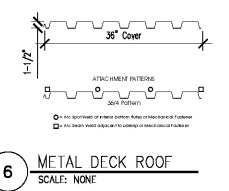
3 WALK DOOR SELF FRAMED @ PERIMETER WALL
SCALE: N.T.S. NOT FIRE RATE



4 SECTION SCALE: NONE



5 SECTION AT SHEAR WALLS SCALE: NONE



6 METAL DECK ROOF SCALE: NONE

tmm architect
MATTHEW P. MCCRELL, OIA
2010 S. W. 10TH AVENUE
MIAMI, FL 33135
770.883.4242
WWW.TMMARCHITECT.COM

THIS DRAWING IS THE PROPERTY OF TMM ARCHITECT. ALL DOCUMENTS, INCLUDING ALL ELECTRONIC MEDIA, SHALL BE RETURNED TO TMM ARCHITECT UPON COMPLETION OF THE PROJECT. NO PART OF THIS DRAWING OR ANY INFORMATION HEREON SHALL BE REPRODUCED OR TRANSMITTED IN ANY FORM OR BY ANY MEANS, ELECTRONIC OR MECHANICAL, INCLUDING PHOTOCOPYING, RECORDING, OR BY ANY INFORMATION STORAGE AND RETRIEVAL SYSTEM, WITHOUT THE WRITTEN PERMISSION OF TMM ARCHITECT.

LIFE STORAGE, INC.
Life Storage #497
5800 Brookshire Blvd. · Charlotte, NC 28216

| ISSUE | DATE | REVISIONS |
|-------|------------|--------------------------|
| 1 | 11/02/2021 | ISSUED FOR CLIENT REVIEW |
| 2 | 10/04/2021 | ISSUED FOR BID |
| 3 | | |

| | | |
|----------------|------------|-----------|
| DETAILS | DATE | 14SEP2020 |
| | SCALE | AS NOTED |
| | DRAWN BY | S9 |
| | JOB NUMBER | 3771 |

Petrilli Structural & Consulting Engineering P.C.
200 ROBERTSON AVENUE
SUITE 200
CHARLOTTE, NC 28203
TEL: 704.504.2000 FAX: 704.504.1000