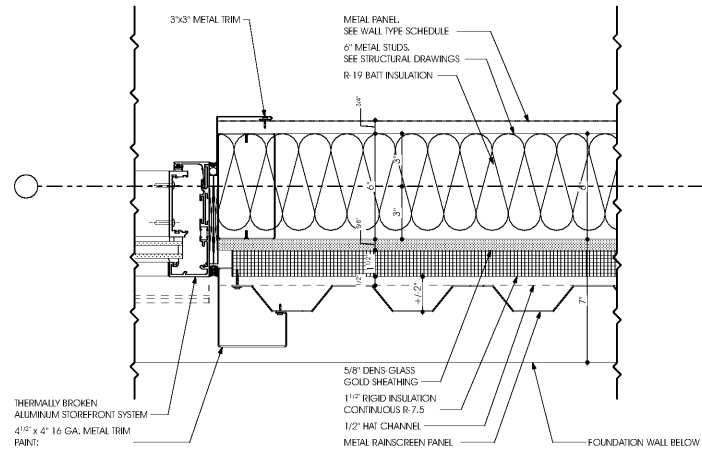


**LIFE STORAGE, INC.**  
Life Storage #497

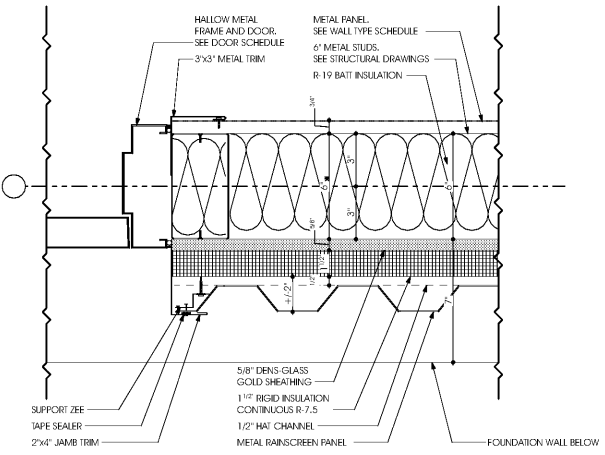
5800 Brookshire Blvd. · Charlotte, NC 28216

ISSUE	DATE	REVISIONS
1	11/08/2021	ISSUED FOR CLIENT REVIEW
2	1/04/2022	ISSUED FOR BID
3		

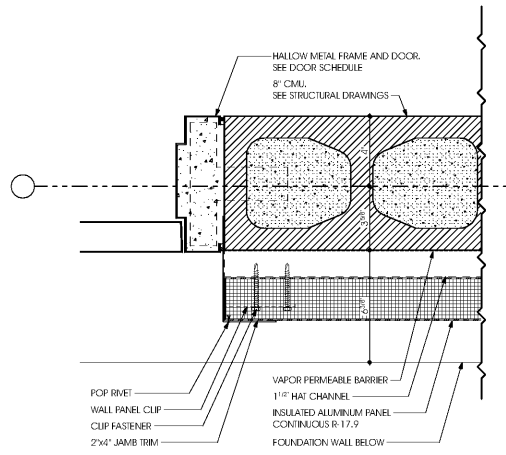
EXTERIOR WALL DETAILS	CR	7.4
DRAWN BY:	AS NOTED	
SCALE:	DATE:	
	14SEP2020	
	JOB NUMBER:	3771



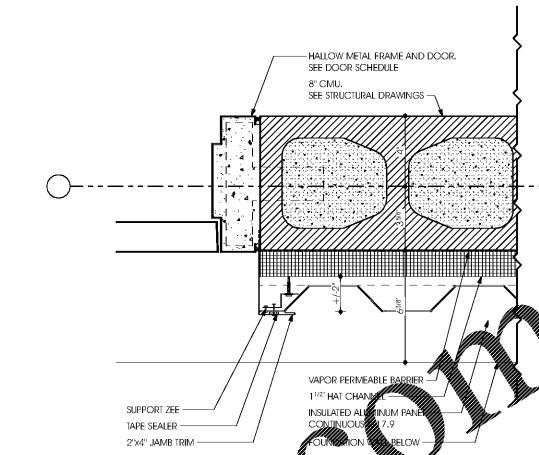
**1 DETAIL**  
TERMINATION AT WALL TYPE 2  
SCALE: 3"=1'-0"



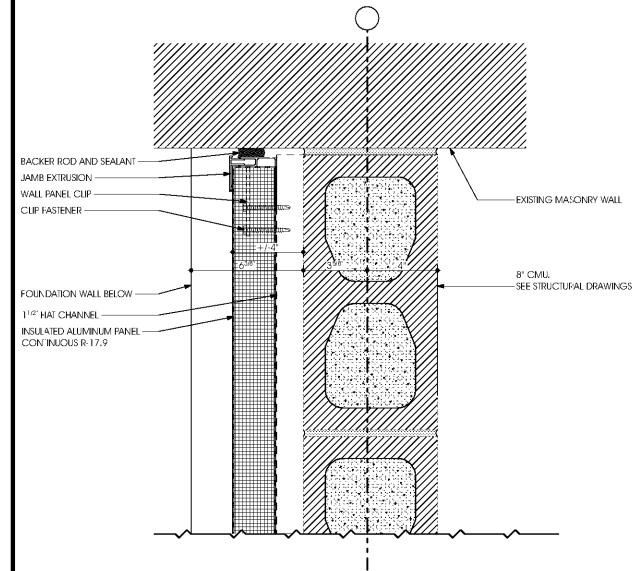
**2 DETAIL**  
JAMB AT WALL TYPE 2  
SCALE: 3"=1'-0"



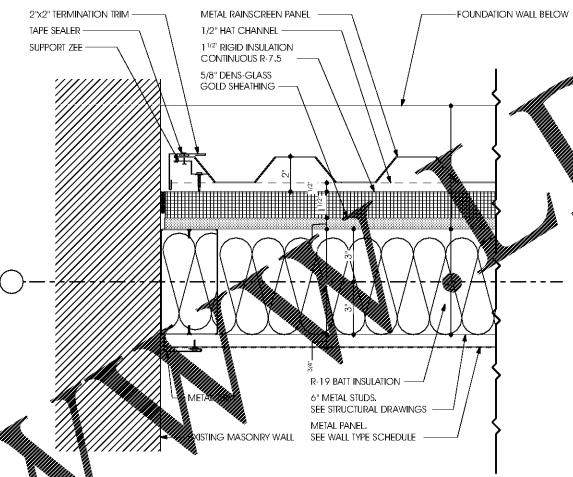
**3 DETAIL**  
JAMB AT WALL TYPE 1A  
SCALE: 3"=1'-0"



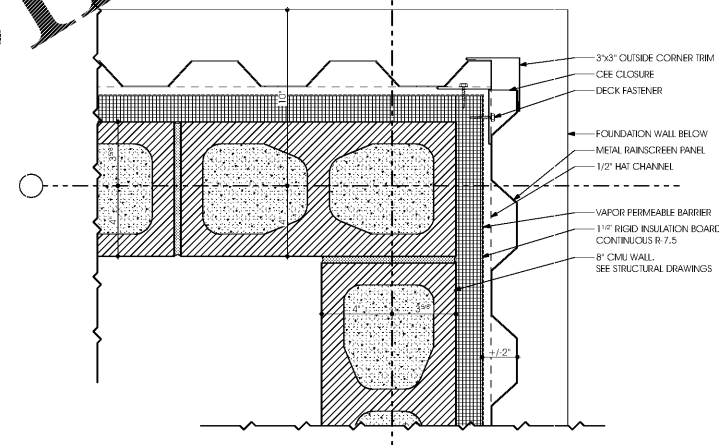
**4 DETAIL**  
JAMB AT WALL TYPE 1A  
SCALE: 3"=1'-0"



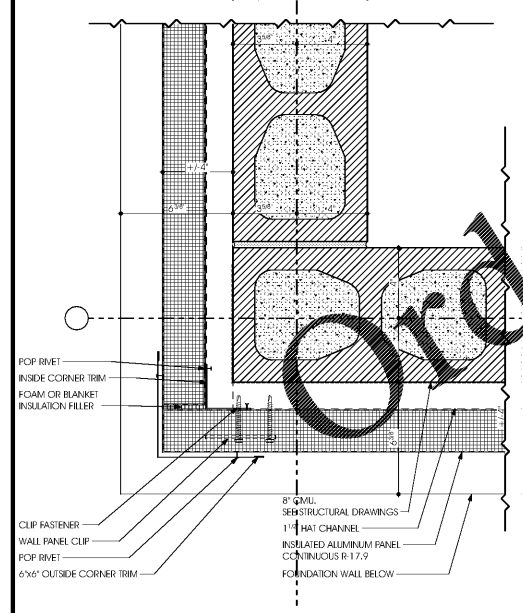
**5 DETAIL**  
TERMINATION AT WALL TYPE 1A  
SCALE: 3"=1'-0"



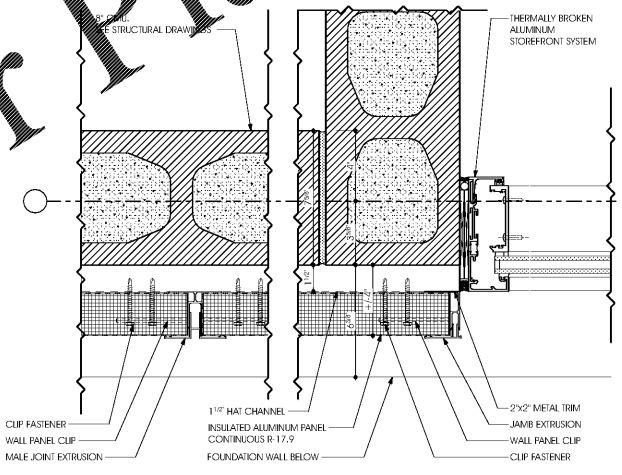
**6 DETAIL**  
JAMB AT WALL TYPE 2  
SCALE: 3"=1'-0"



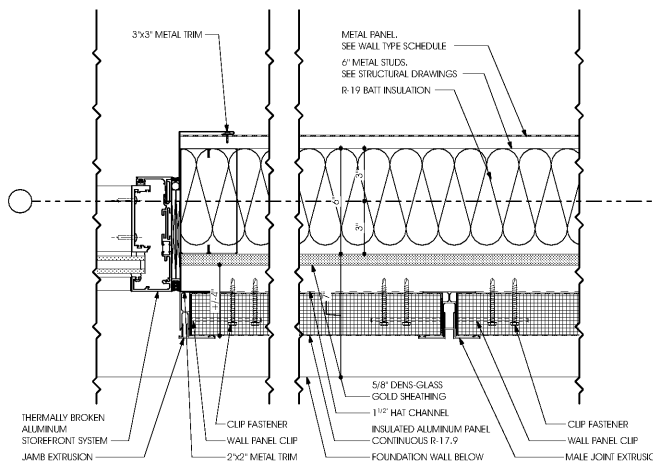
**7 DETAIL**  
CORNER AT WALL TYPE 1A  
SCALE: 3"=1'-0"



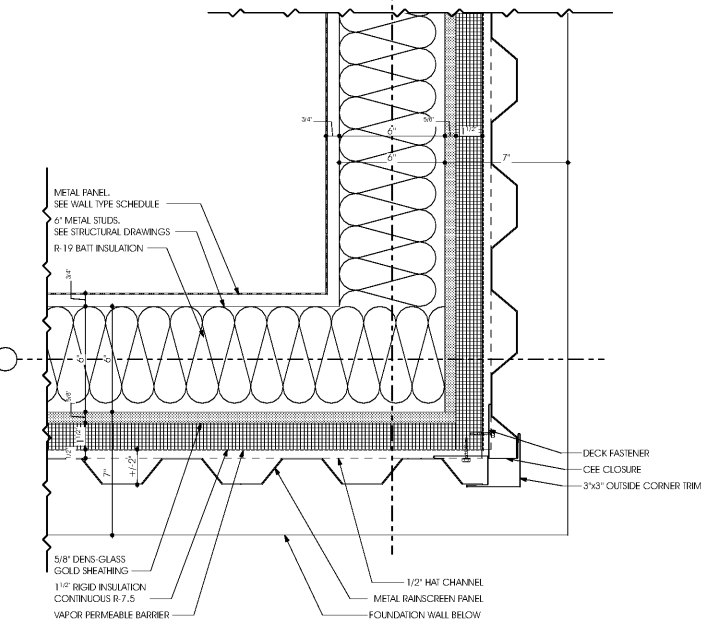
**8 DETAIL**  
CORNER AT WALL TYPE 1A  
SCALE: 3"=1'-0"



**9 DETAIL**  
TERMINATION AT WALL TYPE 1A  
SCALE: 3"=1'-0"



**10 DETAIL**  
TERMINATION AT WALL TYPE 1  
SCALE: 3"=1'-0"



**11 DETAIL**  
TERMINATION AT WALL TYPE 2  
SCALE: 3"=1'-0"

Order Plans @ [WWW.LDILINE.COM](http://WWW.LDILINE.COM)