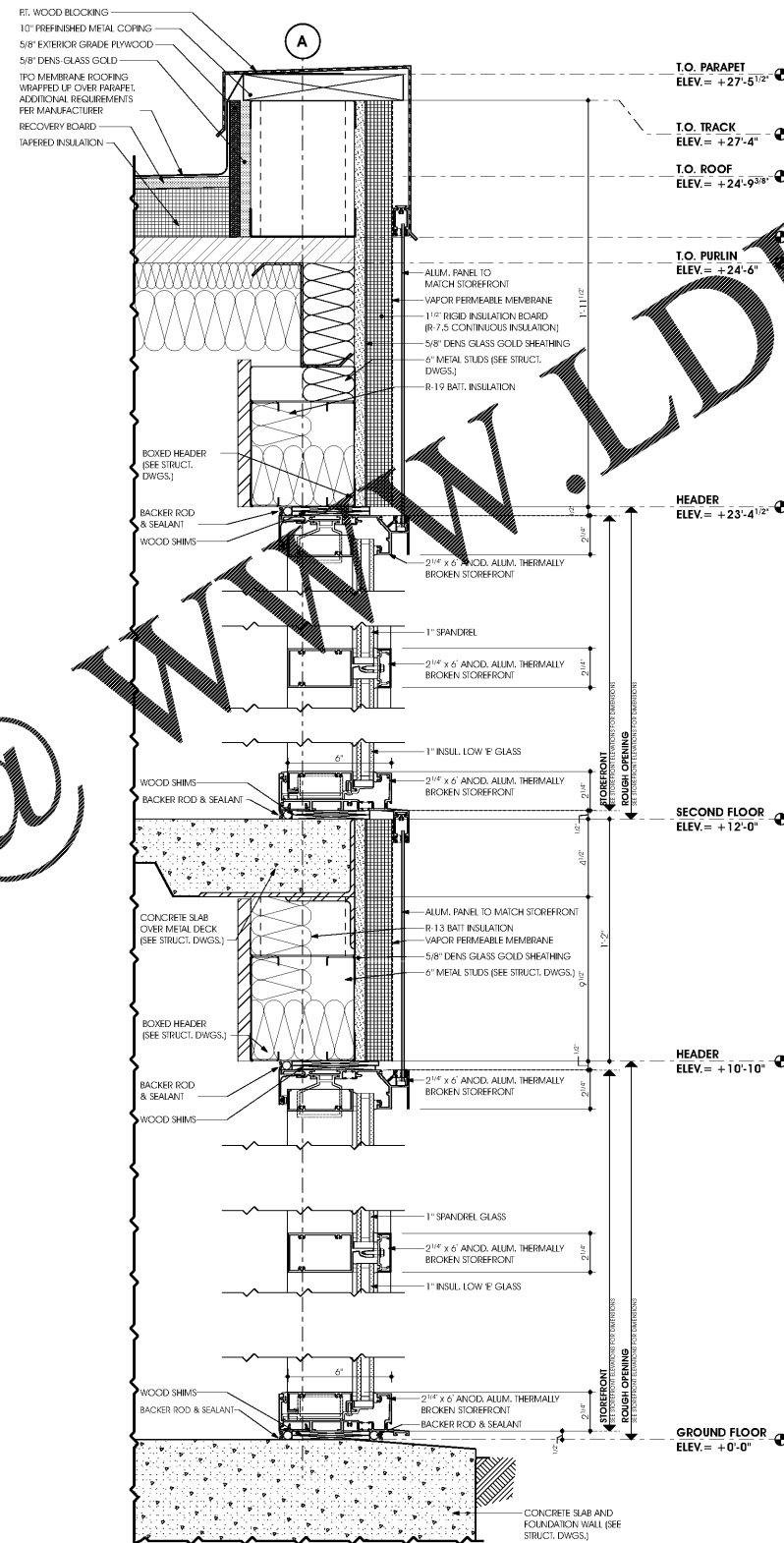
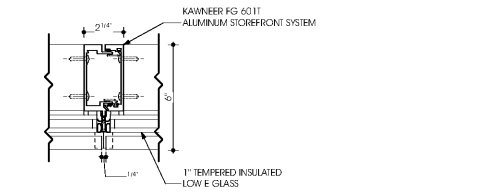


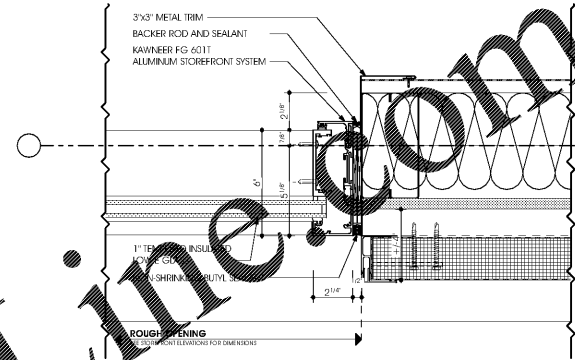
**1 DETAIL**  
HEAD & PARAPET @ MAIN STOREFRONT  
SCALE: 3"=1'-0"



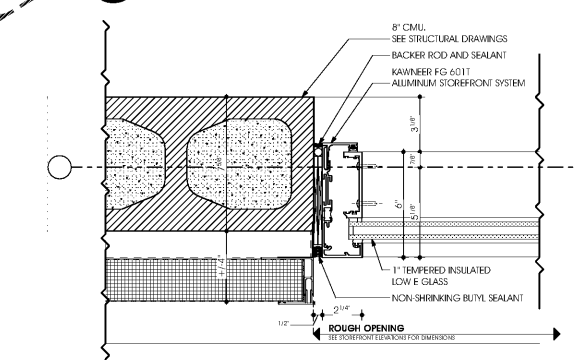
**2 DETAIL**  
HEAD & PARAPET @ DISPLAY WINDOW  
SCALE: 3"=1'-0"



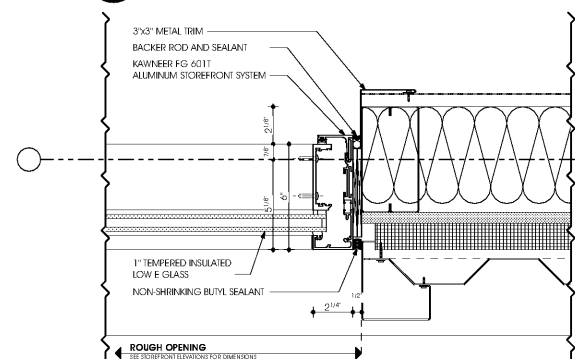
**3 DETAIL**  
TYPICAL VERTICAL MULLION  
SCALE: 3"=1'-0"



**4 DETAIL**  
JAMB AT WALL TYPE 1  
SCALE: 3"=1'-0"



**5 DETAIL**  
JAMB AT WALL TYPE 1A  
SCALE: 3"=1'-0"



**6 DETAIL**  
JAMB AT WALL TYPE 2  
SCALE: 3"=1'-0"



**7 DETAIL**  
DOOR JAMB  
SCALE: 3"=1'-0"

Order Plans @

WWW.LDILLINE.COM



# LIFE STORAGE, INC.

Life Storage #497

5800 Brookshire Blvd. · Charlotte, NC 28216

| ISSUE | DATE       | REVISIONS                |
|-------|------------|--------------------------|
| 1     | 11/02/2021 | ISSUED FOR CLIENT REVIEW |
| 2     | 1/04/2021  | ISSUED FOR BID           |
| 3     |            |                          |

|                               |       |              |
|-------------------------------|-------|--------------|
| <b>STOREFRONT<br/>DETAILS</b> | SCALE | AS NOTED     |
|                               | DATE  | 14SEP2020    |
| DRAWN BY                      | CR    | SHEET NUMBER |
|                               |       | 7.2          |
|                               |       | JOB NUMBER   |
|                               |       | 3771         |

LIFE STORAGE, INC. IS THE OWNER OF THE PROJECT. LD ILLINE ARCHITECTURE, INC. IS THE ARCHITECT OF RECORD. ALL DOCUMENTS ON ELECTRONIC MEDIA SHALL BE CONSIDERED VALID AND BINDING. THE ARCHITECT'S LIABILITY IS LIMITED TO THE PROFESSIONAL SERVICES PROVIDED. THE ARCHITECT SHALL NOT BE RESPONSIBLE FOR THE DESIGN OR CONSTRUCTION OF THE PROJECT. THE ARCHITECT'S LIABILITY IS LIMITED TO THE PROFESSIONAL SERVICES PROVIDED. THE ARCHITECT SHALL NOT BE RESPONSIBLE FOR THE DESIGN OR CONSTRUCTION OF THE PROJECT.