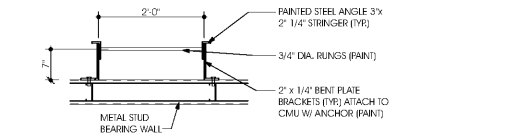
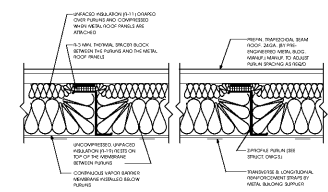


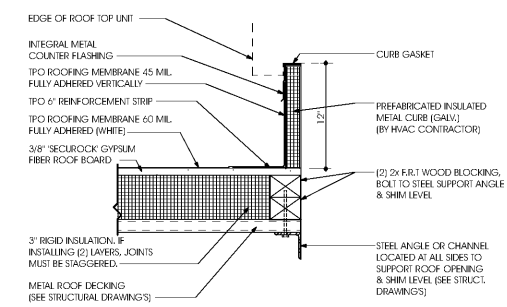
2 DETAIL @ ROOF HATCH SCALE: 3/4"=1'-0"



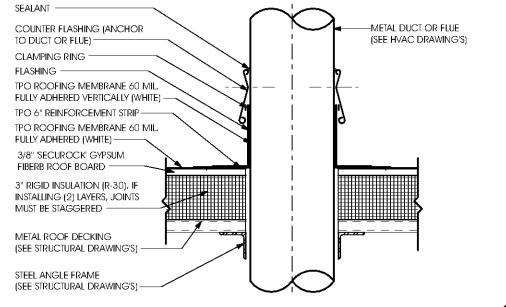
3 DETAIL @ ROOF LADDER SCALE: 3/4"=1'-0"



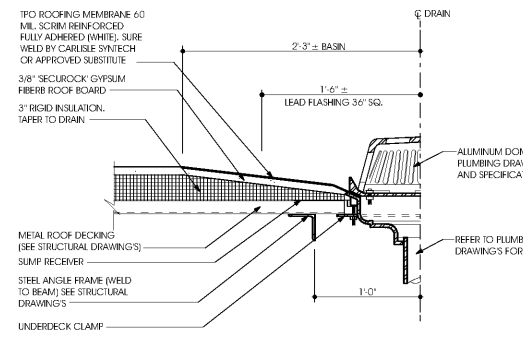
4 DETAIL @ ROOF INSULATION SCALE: 1 1/2"=1'-0"



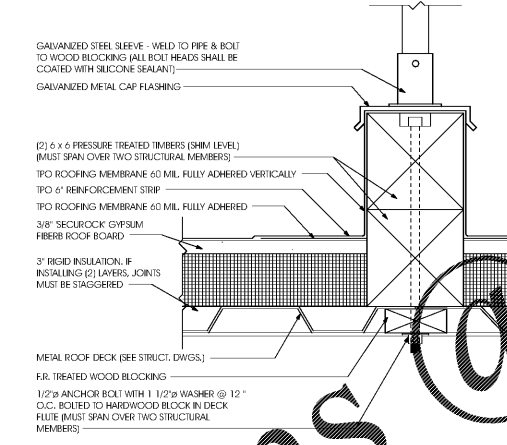
5 DETAIL ROOF CURB FOR HVAC UNITS SCALE: 1 1/2"=1'-0"



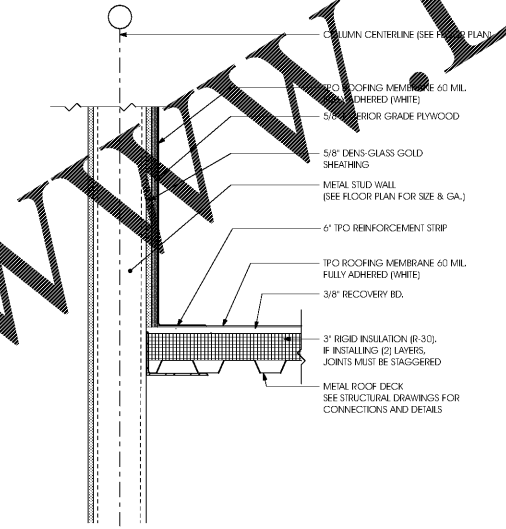
6 DETAIL DUCT & FLUE FLASHING SCALE: 1 1/2"=1'-0"



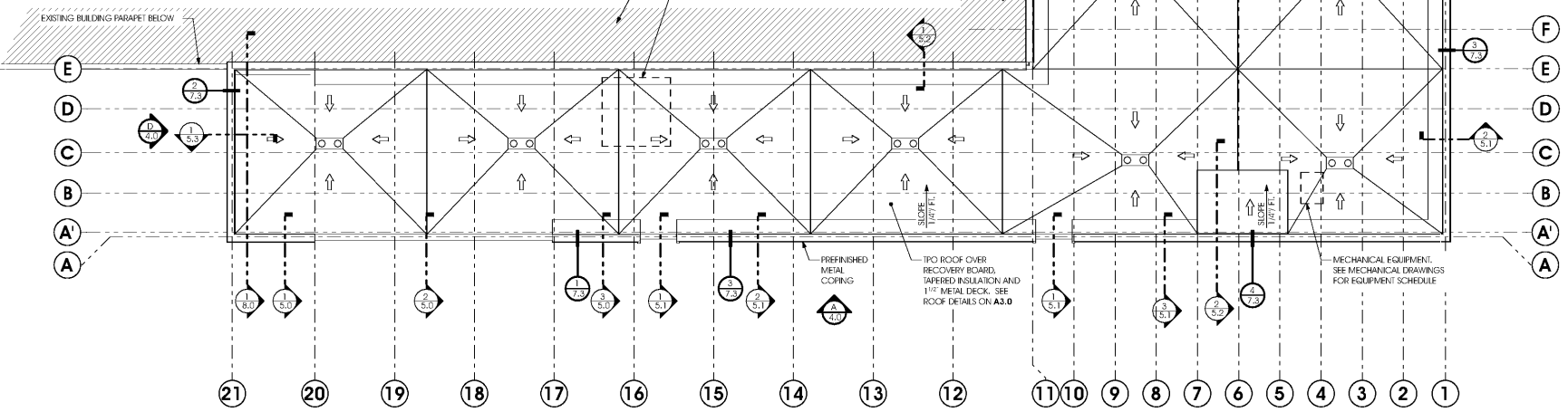
7 DETAIL ROOF DRAIN SCALE: 1 1/2"=1'-0"



8 DETAIL EQUIPMENT SUPPORT SCALE: 3"=1'-0"



9 DETAIL FLASHING AT ROOF / WALL INTERSECTION SCALE: 1 1/2"=1'-0"



1 ROOF PLAN Roof SCALE: 1/8"=1'-0"

dm architect
 ARCHITECTS
 8110A New York 14200
 718 885 4245
 www.dline.com

LIFE STORAGE, INC.
 Life Storage #497
 5800 Brookshire Blvd. · Charlotte, NC 28216

ISSUE	DATE	REVISIONS
1	2/28/2020	20% - ISSUED FOR REVIEW
2	1/11/2021	ISSUED FOR CLIENT REVIEW
3	1/04/2021	ISSUED FOR BID

ROOF PLAN
 DRAWN BY: CR
 REF NUMBER:
 SCALE: AS NOTED
 DATE: 14SEP2020
 JOB NUMBER: 3771

Order Plans @