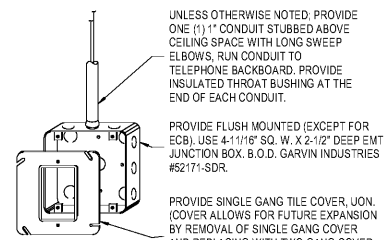
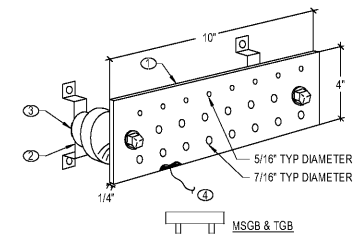


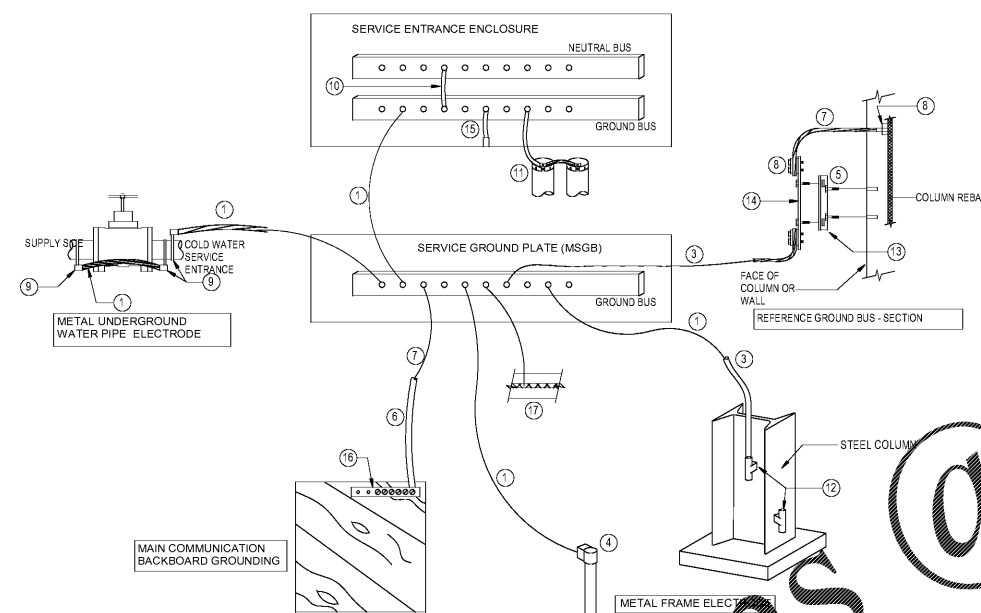
1 TELEPHONE RISER DIAGRAM  
NO SCALE



2 TELECOM OUTLET BOX DETAIL  
NO SCALE

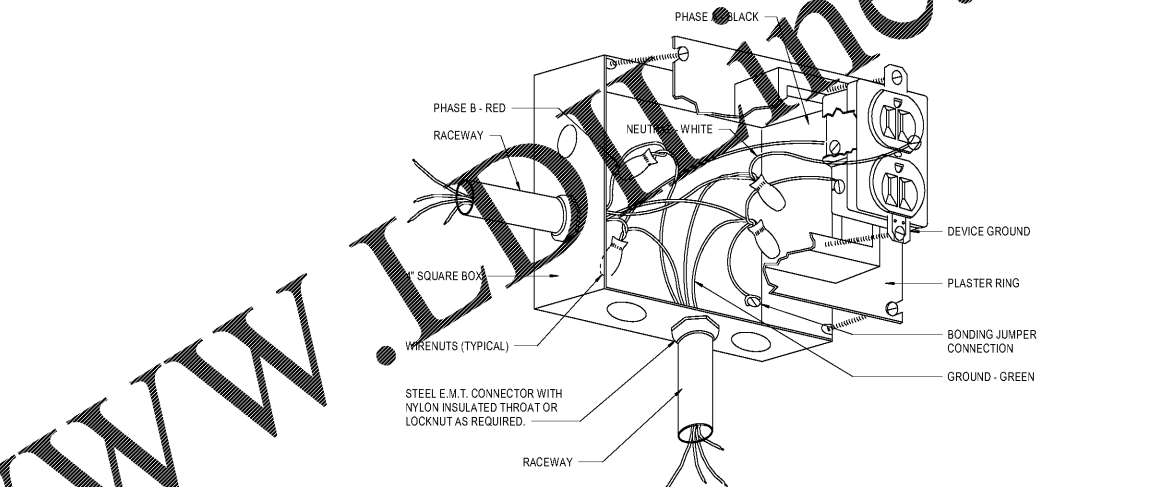


3 GROUNDING BAR DETAIL  
NO SCALE



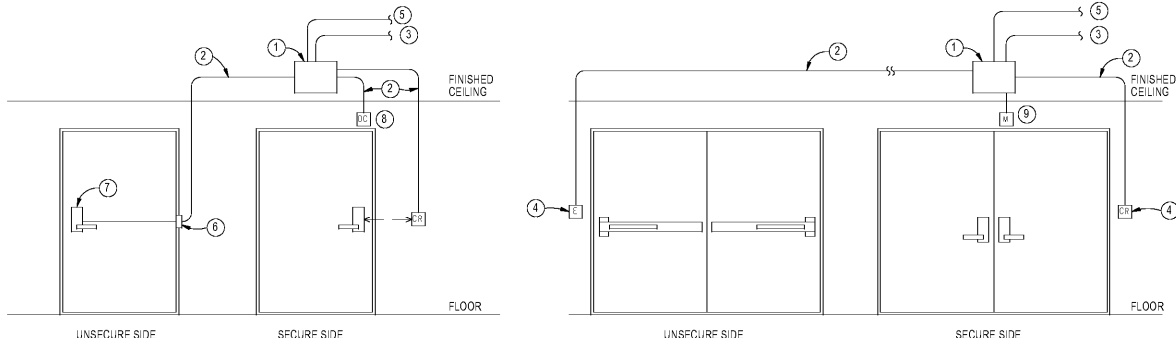
- GROUNDING SYSTEM DETAIL - KEY NOTES** (ALL NOTES ARE NOT APPLICABLE TO THIS PROJECT)
- 1 40 BARE GROUNDING ELECTRODE CONDUCTOR.
  - 2 (3) 3/4"x10'-0" COPPER CLAD STEEL GROUND ROD 10' APART, DRIVEN TO BELOW GRADE MINIMUM.
  - 3 40 BARE GROUNDING ELECTRODE CONDUCTOR IN SERVICE.
  - 4 EXOTHERMIC WELD CONNECTOR. TWO CABLES TO GROUND ROD, CADWELD #10 OR #8. CABLE TO CABLE TEE, CADWELD #10. ONE CABLE TO GROUND ROD, CADWELD #8R.
  - 5 SILICON BRONZE BOLT & WASHER.
  - 6 BONDING JUMPER, SIZED PER NEC 250-122.
  - 7 BARE BONDING JUMPER.
  - 8 EXOTHERMIC WELD CABLE TO TWO HOLE LUG ASSEMBLY, CADWELD #GL.
  - 9 CAST BRONZE, UL LISTED GROUND CLAMP, 0-Z/GEDNEY TYPE-G OR EQUAL.
  - 10 BONDING JUMPER, SIZED BY EQUIPMENT MANUFACTURER PER NEC 250-102.
  - 11 BONDING JUMPER TO GROUNDING BUSHING. AND BONDING JUMPERS FROM CONDUIT TO CONDUIT. ALL CONDUIT CONNECTED TO THE SERVICE ENTRANCE ENCLOSURE. SHALL BE BONDED, SIZED PER NEC 250-122.
  - 12 EXOTHERMIC WELD CABLE TO FLAT STEEL, CADWELD #V V.
  - 13 3/4"x1/2"x1'-1/2" HIGH SLOTTED GALVANIZED C-CHANNEL. MOUNT CHANNEL TO STRUCTURE WITH MACHINE BOLTS AND CONCRETE ANCHORS ON SOLID MASONRY OR TOGGLE BOLTS ON HOLLOW MASONRY OR GYPSUM BOARD. MOUNT COPPER BUS TO C-CHANNEL WITH 3/4" BOLT AND LOCK NUT ASSEMBLY.
  - 14 1/4"x4"x24" COPPER BUS. DRILL AND TAP BUS FOR BUILDING GROUND CONNECTIONS SEPARATELY DERIVED SERVICES AND BACKBOARD GROUNDING POINTS.
  - 15 MAIN BONDING JUMPER, SIZED BY MANUFACTURER PER 250-122.
  - 16 6 CONDUCTOR GROUND BUS, COPPER OR ALUMINUM RATED, ILSCO #PET SERIES OR EQUAL.
  - 17 PROVIDE ENCASED GROUNDING ELECTRODE CONSISTING OF A MINIMUM #4 AWG SOLID CONDUCTOR 20' IN CONTACT WITH EARTH, PER NEC 250.52 (3).
  - 18 GENERAL NOTE: ALL METALLIC PIPING SYSTEMS IN BUILDING AND LIGHTNING PROTECTION SYSTEM (IF PROVIDED) ARE TO BE BONDED TO THE BUILDINGS GROUNDING SYSTEM WITH APPROPRIATE GROUNDING CONDUCTOR PER NEC 250.

4 GROUNDING SYSTEM DETAIL  
NO SCALE



- NOTES:**
- A. EACH CONDUCTOR IN BOX SHALL BE OF SUFFICIENT LENGTH FOR MAKING UP SPLICES.
  - B. DO NOT INSTALL WIRES IN BACK OF DEVICE LOOP AROUND TERMINAL SCREWS.
  - C. FACE OF PLASTER RING (WHERE UTILIZED) SHALL BE FLUSH WITH WALL.
  - D. FRONT OF DEVICE SHALL BE WITHIN 1/8" OF FINISHED WALL.

5 RECEPTACLE WIRING DETAIL  
NO SCALE



- NOTES:** (ACCESS CONTROL DETAILS ONLY)
- 1 ACCESS CONTROL DOOR CONTROLLER JUNCTION BOX.
  - 2 3/4" CONDUIT WITH ACCESS CONTROL CABLING.
  - 3 PROVIDE CONDUIT AND PULL STRING TO ACCESS CONTROL PANEL. COORDINATE EXACT LOCATION WITH OWNER.
  - 4 INTEGRATE WITH AUTO-DOOR CONTROLLER TO OPEN DOOR ON CARD SWIPE (CARD READER) AND BUTTON PUSH (PUSH-TO-EXIT BUTTON).
  - 5 CONNECTION TO POWERED DOOR OPENER. REFER TO DRAWINGS TO SEE WHICH DOORS HAVE POWERED DOOR OPENERS.
  - 6 ELECTRIC TRANSFER HINGE.
  - 7 ELECTRIC DOOR LATCH WITH INTEGRATED CARD READER.
  - 8 DOOR CONTACT SWITCH. INTEGRATE INTO ACCESS CONTROL AS REQUIRED.
  - 9 MAGNETIC DOOR LATCH.
  - 10 GENERAL. COORDINATE EXACT DOOR ACCESS REQUIREMENTS WITH OWNER/ARCHITECT PRIOR TO ANY INSTALLATION. MAKE ALL CHANGES PER EQUIPMENT MANUFACTURERS RECOMMENDATIONS.

6 ACCESS CONTROL DETAIL  
NO SCALE

