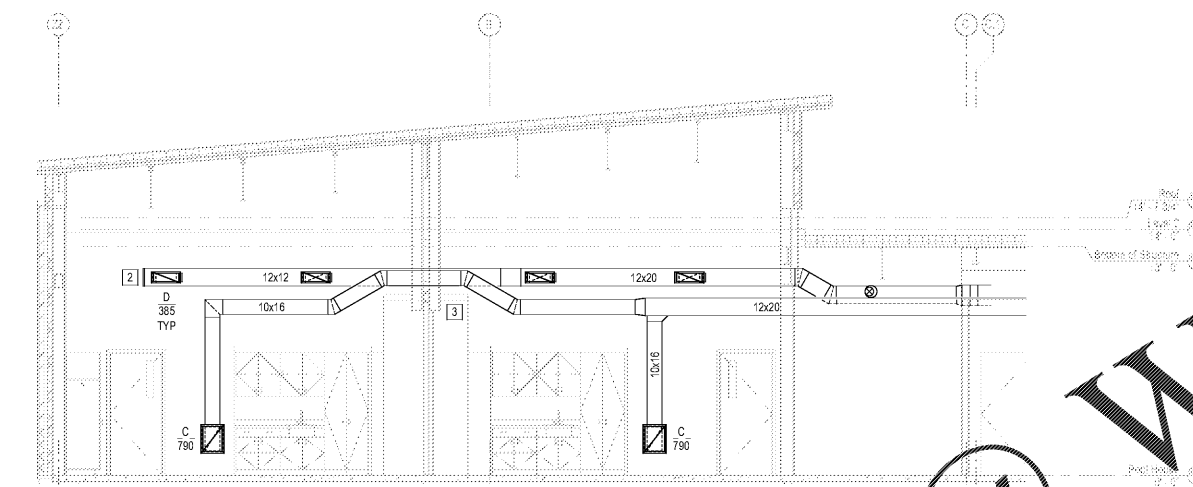
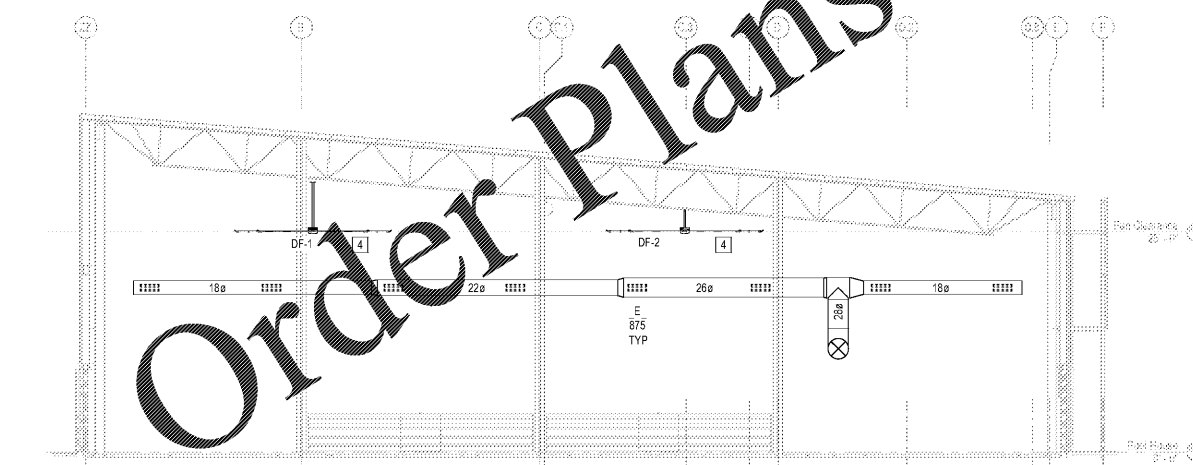


4 SOUTH PARALLEL PLENUM SECTION
1/4" = 1'-0"



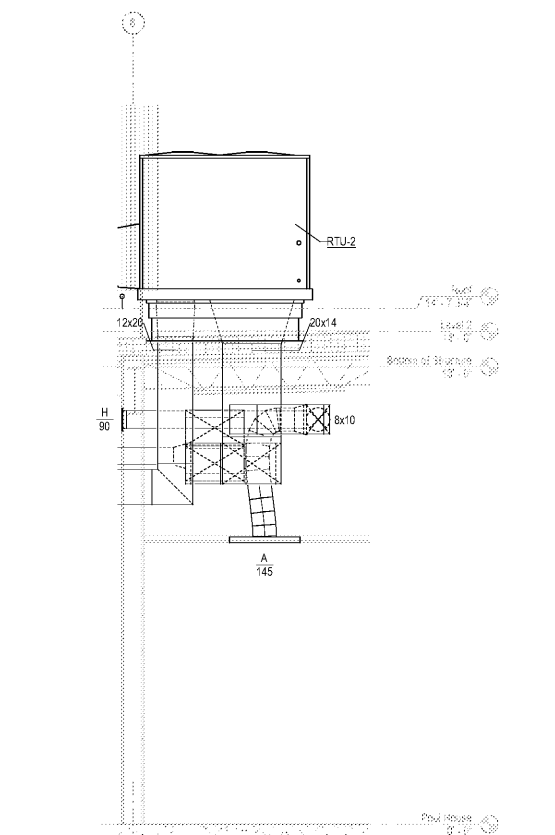
3 NORTH PARALLEL PLENUM SECTION
1/4" = 1'-0"



2 GYM SECTION
1/8" = 1'-0"



5 SOUTH PERPENDICULAR PLENUM SECTION
1/2" = 1'-0"



6 NORTH PERPENDICULAR PLENUM SECTION
1/2" = 1'-0"



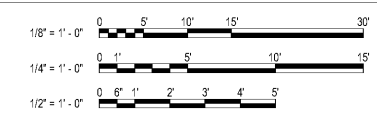
GENERAL NOTES

A. ROUTE DUCTWORK HIGH IN PLENUM.

KEY NOTES

1. TRANSITION DUCT WORK BEFORE ENTERING PLENUM.
2. ROUTE SUPPLY DUCTWORK AND LOCATE SUPPLY DIFFUSERS AT 1'-3" AFF ON CENTERLINE.
3. RETURN DUCT RUN IN ASSEMBLY SPACE SOFFIT. COORDINATE DUCT WITH SPACE DIVIDER HARDWARE, ROUTING UP AND OVER.
4. MAINTAIN FAN CLEARANCE OF 25" AFF.

GRAPHIC SCALE(S)



City of Asheville Parks & Recreation
**DR. WESLEY GRANT SR.
CENTER EXPANSION**
285 LIVINGSTON STREET
ASHEVILLE, NC 28801

DESIGNER
CLARK NEXSEN
440 Martin Luther King Jr Blvd
Macon, Georgia 31201
478.743.8415
www.clarknexsen.com



SUBMITTAL
3.12.2021
CONSTRUCTION DOCUMENTS

REVISIONS

NO.	DESCRIPTION

SHEET
SECTIONS

M-301

DESIGN: JPN
DRAWN: JPN
REVIEW: RHF
CN 7904-A

Order Plans @ www.LDILine.com

3/11/2021 5:16:37 PM
C:\Users\jnh\OneDrive\Documents\7904_Southside Facilities M19_john.nexsen.rvt