

DESIGNER

**CLARK NEXSEN**

333 FAYETTEVILLE STREET, SUITE 1000  
 RALEIGH, NORTH CAROLINA 27601  
 919-828-1876

CLARK NEXSEN LICENSE NUMBER: C-1028

PROFESSIONAL SEAL



SUBMITTAL

03.12.2021

**CONSTRUCTION DOCUMENTS**

REVISIONS

NO.	DESCRIPTION

KEY PLAN

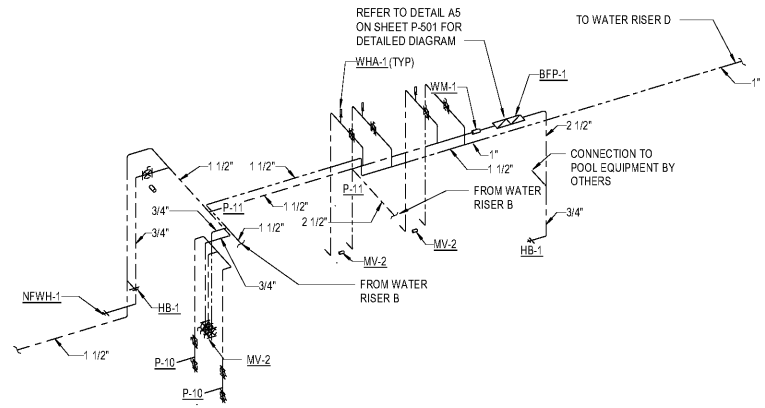
SHEET

**RISER DIAGRAMS**

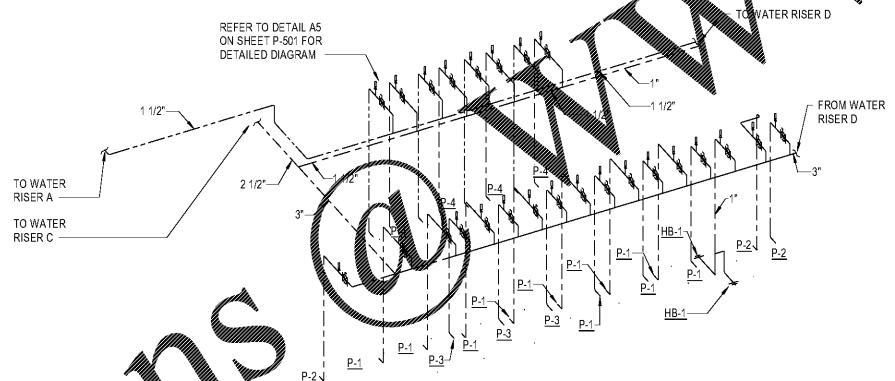
**P-701**

DESIGN: DKB  
 DRAWN: DLR  
 REVIEW: WAW

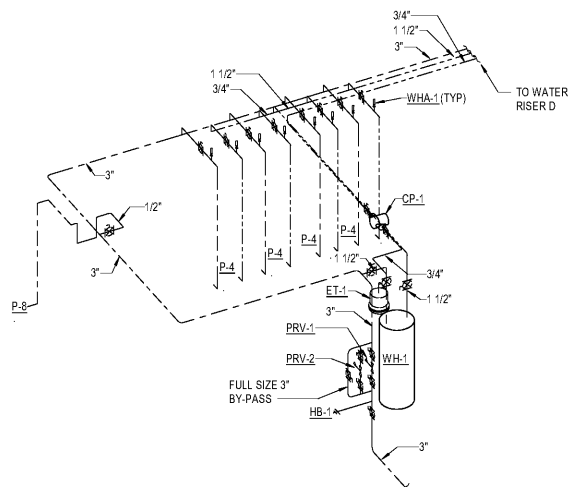
CN 7904-A



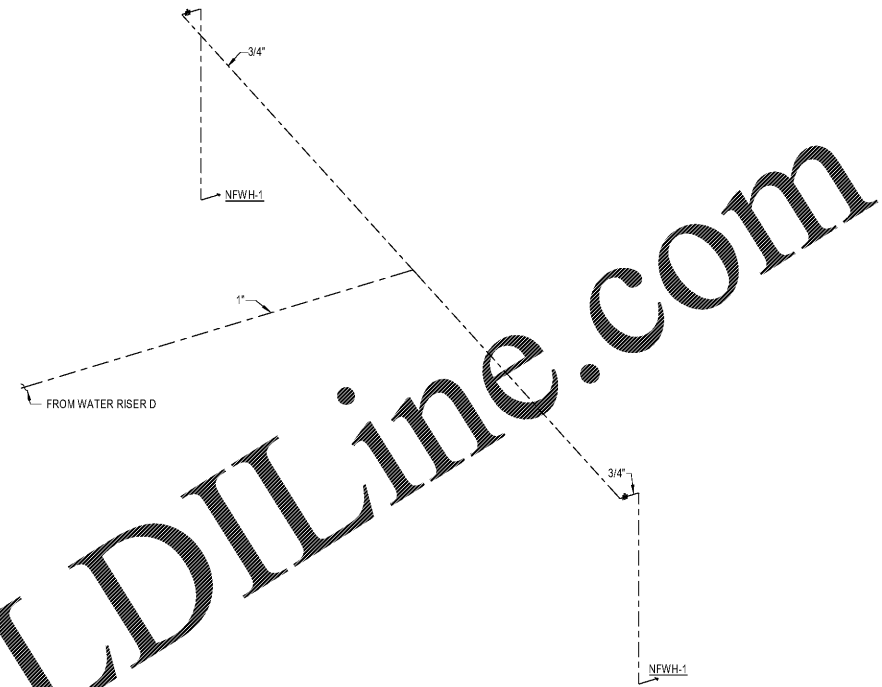
**WATER RISER C**  
 NO SCALE



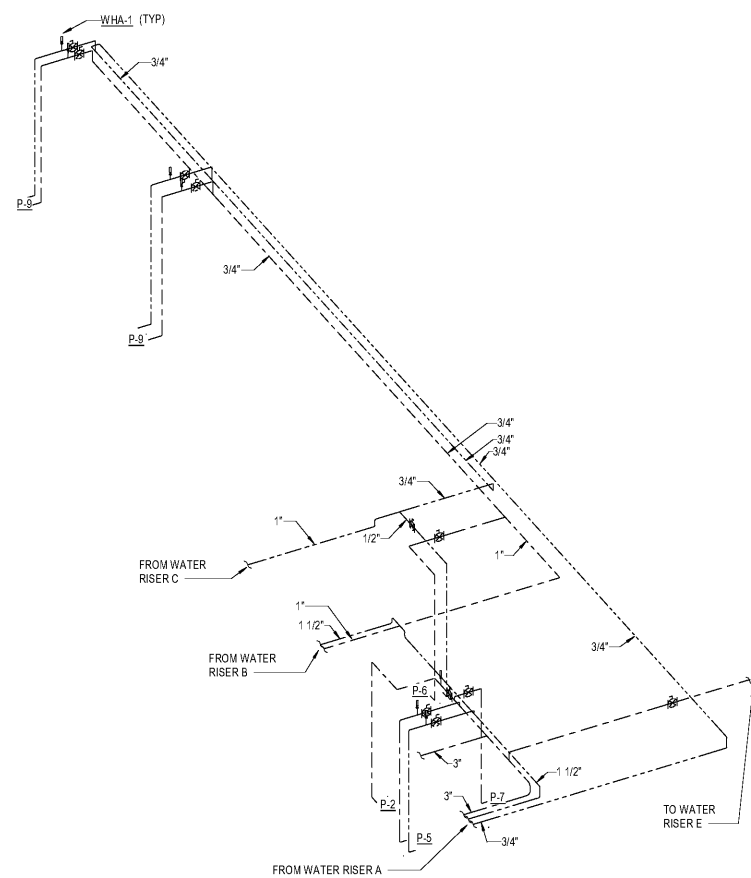
**WATER RISER B**  
 NO SCALE



**WATER RISER A**  
 NO SCALE



**WATER RISER E**  
 NO SCALE



**WATER RISER D**  
 NO SCALE

Order Plans

WWW.LDILine.com