

DESIGNER

CLARK NEXSEN

333 FAYETTEVILLE STREET, SUITE 1000
 RALEIGH, NORTH CAROLINA 27601
 919-828-1876

CLARK NEXSEN LICENSE NUMBER: C-1028

PROFESSIONAL SEAL



SUBMITTAL

03.12.2021

CONSTRUCTION DOCUMENTS

REVISIONS

NO.	DESCRIPTION

KEY PLAN

SHEET

DETAILS

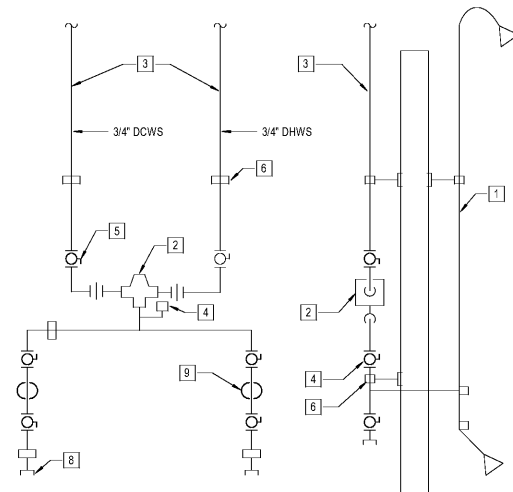
P-502

DESIGN: DKB

DRAWN: DLR

REVIEW: WAW

CN 7904-A

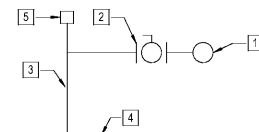


KEYNOTES [#]

(MIXING VALVE/OUTDOOR SHOWER ASSEMBLY DETAIL ONLY)

- OUTDOOR SHOWER AND FOOT RINSE P-10 (TYPICAL)
- MIXING VALVE LOCATED IN POOL EQUIPMENT ROOM
- DCWS AND DHWS TO MV
- 90° F TEMPERED WATER TO P-10 (TYP)
- BALL VALVE (TYPICAL)
- SPLIT RING STANDOFF BRACKET (TYPICAL)
- THERMOMETER
- CAPPED HOSE THREAD (TYPICAL)
- SHOWER SUPPLY LINE THROUGH WALL

C1 MIXING VALVE/OUTDOOR SHOWER ASSEMBLY DETAIL
 NOT TO SCALE

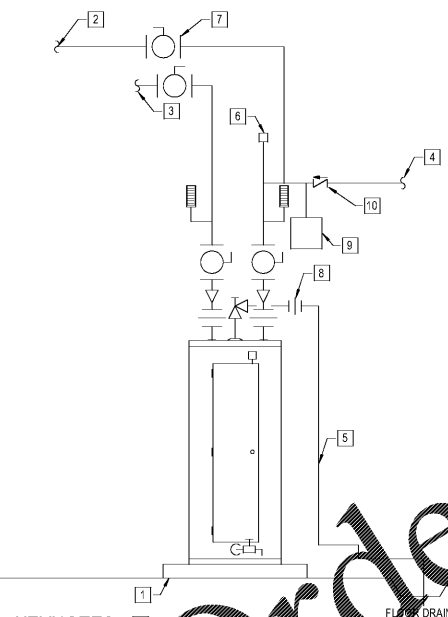


KEYNOTES [#]

(DOMESTIC WATER FIXTURE CONNECTION DETAIL ONLY)

- DOMESTIC WATER HEADER
- BALL VALVE (TYPICAL ALL FIXTURES)
- FIXTURE SUPPLY DROP (TYPICAL ALL FIXTURES)
- FIXTURE CONNECTION (TYPICAL ALL FIXTURES)
- WATER HAMMER ARRESTER (TYPICAL ALL FIXTURES)

D2 DOMESTIC WATER FIXTURE CONNECTION DETAIL
 NOT TO SCALE

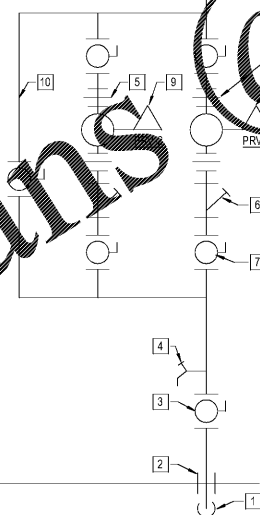


KEYNOTES [#]

(ELECTRIC WATER HEATER SYSTEM DETAIL ONLY)

- 4" THICK CONCRETE HOSE KEEPING PAD
- DOMESTIC COLD WATER SUPPLY TO WATER HEATERS
- DOMESTIC HOT WATER SUPPLY TO FIXTURES
- FROM DOMESTIC HOT WATER RECIRCULATION PUMP ASSEMBLY
- PIPE T&P RELIEF VALVE FULL SIZE TO FLOOR DRAIN.
- VACUUM RELIEF VALVE
- BALL VALVE (TYPICAL)
- UNION (TYPICAL)
- EXPANSION TANK, SEE SCHEDULE SHEET
- CHECK VALVE

A1 ELECTRIC WATER HEATER SYSTEM DETAIL
 NOT TO SCALE

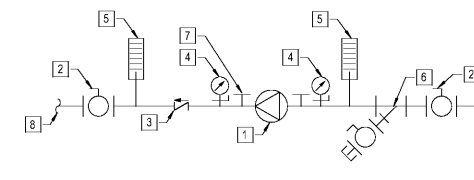


KEYNOTES [#]

(PRESSURE REDUCING VALVE WATER ENTRANCE DETAIL ONLY)

- DOMESTIC WATER ENTRANCE FROM CIVIL CONNECTION
- SLEEVE THRU CONCRETE FLOOR SLAB
- BALL VALVE AT 12" AFF
- HOSE BIBB AT 18" AFF
- UNION (TYPICAL)
- WYE STRAINER (TYPICAL)
- FULL PORT BALL VALE (TYPICAL)
- MAIN PRESSURE REDUCING VALVE AS SPECIFIED
- BYPASS PRESSURE REDUCING VALVE (LOW FLOW)
- FULL SIZE NORMALLY CLOSED BY-PASS

A2 PRESSURE REDUCING VALVE WATER ENTRANCE DETAIL
 NOT TO SCALE

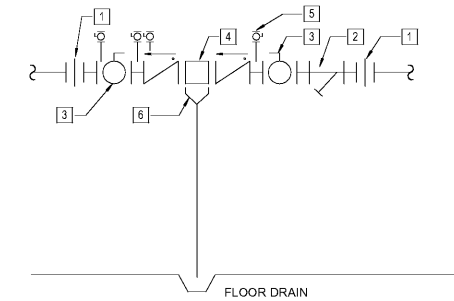


KEYNOTES [#]

(CIRCULATION PUMP ASSEMBLY DETAIL ONLY)

- CIRCULATION PUMP. REFER TO SCHEDULE.
- BALL VALVE
- CHECK VALVE
- PRESSURE GAUGE
- DIGITAL THERMOMETER AS SPECIFIED
- WYE STRAINER WITH DRAIN VALVE
- PETE'S PLUG
- TO ELECTRIC WATER HEATER SYSTEM.

A4 CIRCULATION PUMP ASSEMBLY DETAIL
 NOT TO SCALE



KEYNOTES [#]

(RPZ BACKFLOW PREVENTER WATER DETAIL ONLY)

- UNION
- WYE STRAINER
- FULL PORT BALL VALVE
- RPZ BACKFLOW PREVENTER AS SPECIFIED
- TEST COCK (TYP)
- AIR GAP FITTING. PIPE FULL SIZE TO FLOOR DRAIN

A5 RPZ BACKFLOW PREVENTER DETAIL
 NOT TO SCALE

3/11/2021 4:46:51 PM
 C:\Users\dmr\OneDrive\Documents\7904_Southside Facilities P-10_Drinal Rodriguez\clarknexsen.com.rvt

www.LDILine.com