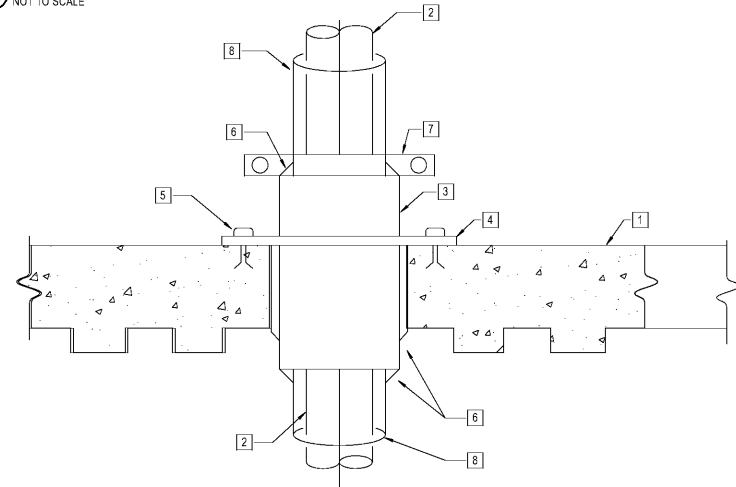


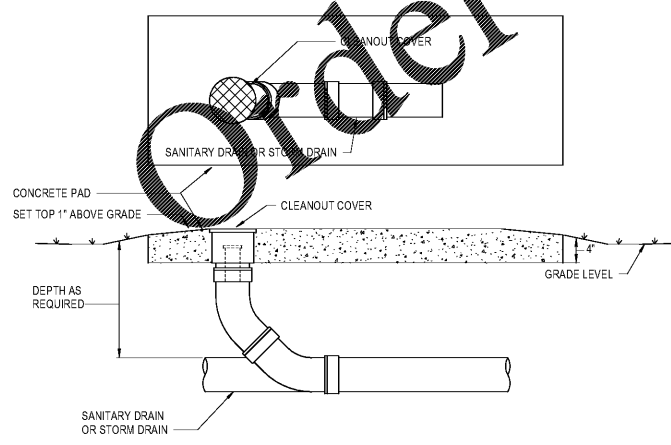
D1 NON FREEZE DECK HYDRANT
 NOT TO SCALE



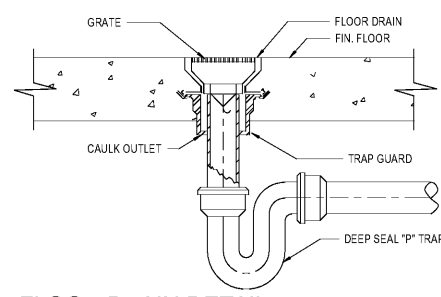
B1 PIPE SLEEVE DETAIL
 NOT TO SCALE

NOTES
 (PIPE SLEEVE DETAIL ONLY)

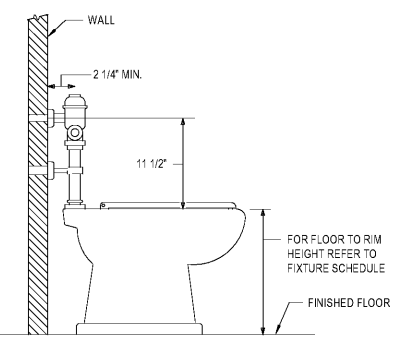
1. FINISHED FLOOR.
2. NEW DOMESTIC WATER PIPE.
3. SCHEDULE 40 STEEL PIPE SLEEVE. TOP OF SLEEVE 2" ABOVE FINISHED FLOOR.
4. 1/4"x2" STEEL RING COLLAR WELDED TO SLEEVE CONTINUOUSLY.
5. 1/4"x2" LEAD DRIVE ANCHORS (TYP. OF 4).
6. APPROVED FIRESTOP MATERIALS (TYP.).
7. COPPER PIPE RISER CLAMP SUPPORT.
8. PIPE INSULATION AS SPECIFIED.



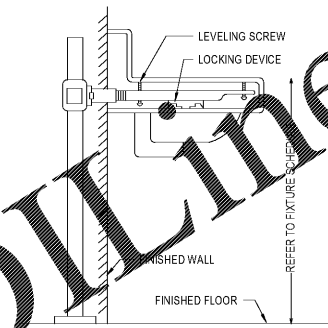
A1 GRADE CLEANOUT DETAIL (GCO)
 NOT TO SCALE



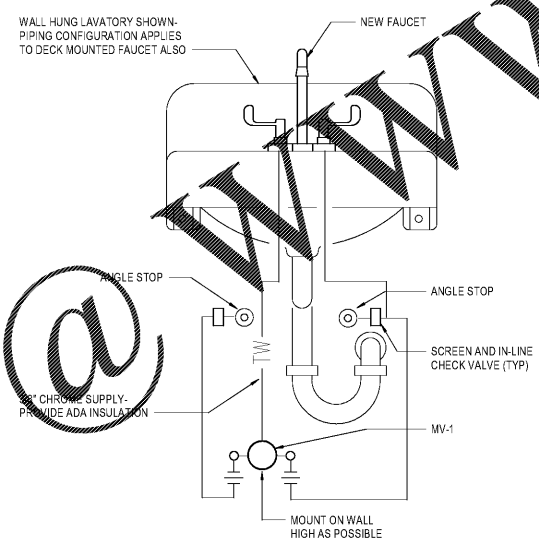
E3 FLOOR DRAIN DETAIL
 NOT TO SCALE



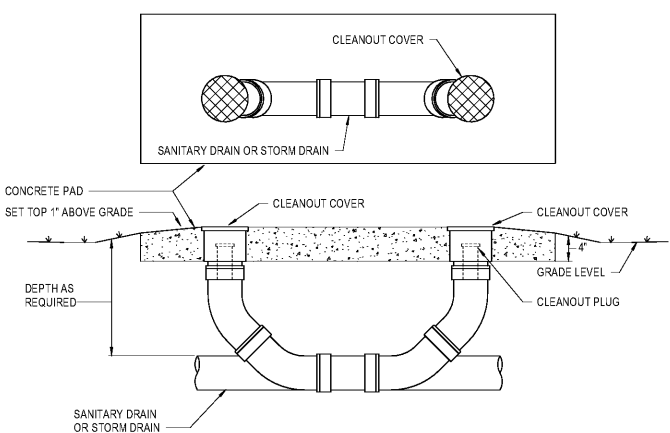
D3 WATER CLOSET FLUSH VALVE MOUNTING DETAIL
 NOT TO SCALE



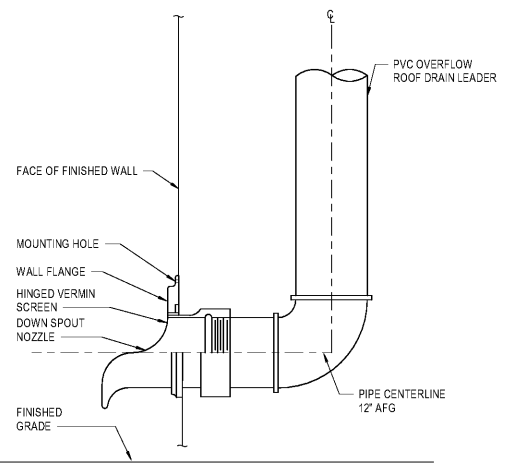
D5 LAVATORY CARRIER MOUNTING DETAIL
 NOT TO SCALE



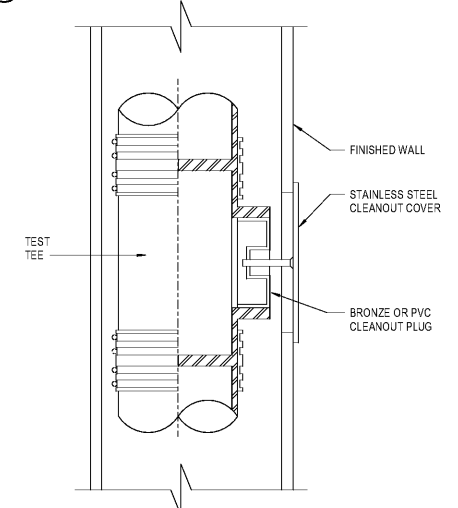
B3 LAVATORY PIPING DETAIL
 NOT TO SCALE



B5 2 WAY GRADE CLEANOUT DETAIL (GCO)
 NOT TO SCALE



A3 DOWNSPOUT NOZZLE PIPING DETAIL
 NOT TO SCALE



A5 WALL CLEANOUT DETAIL (WCO)
 NOT TO SCALE

Order Plans

@ WWW.LDLINE.COM

S:\11\2021\6.16.21\CM\C:\Users\dmr\OneDrive\Documents\7904_Southside Facilities_P18_Drains\Rodriguez@clarknexsen.com.rvt