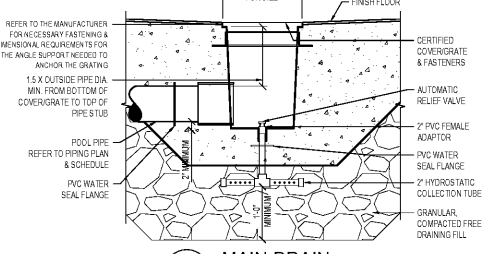


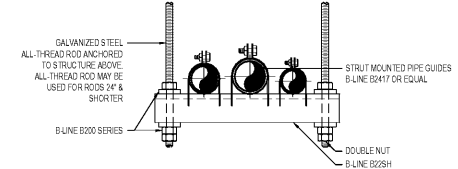
11 TRENCH SUMP
AQ5.2 3/4" = 1'-0"

DRAIN DEPTH SCHEDULE

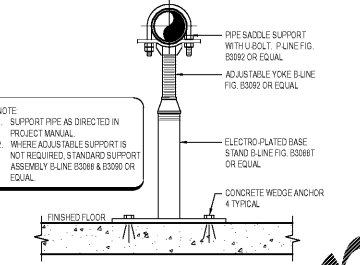
STUB SIZE (INFS)	MINIMUM DEPTH
1" AND UNDER	12"
4"	14.25"
6"	19.5"
8"	24.5"
10"	30"
12"	35"
14"	38"



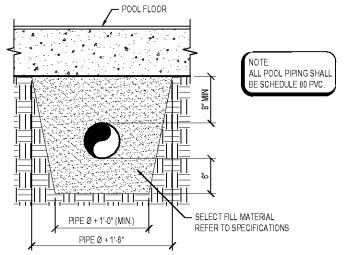
9 MAIN DRAIN
AQ5.2 3/4" = 1'-0"



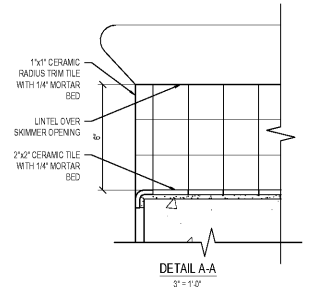
5 TRAPEZE HANGER
AQ5.2 3" = 1'-0"



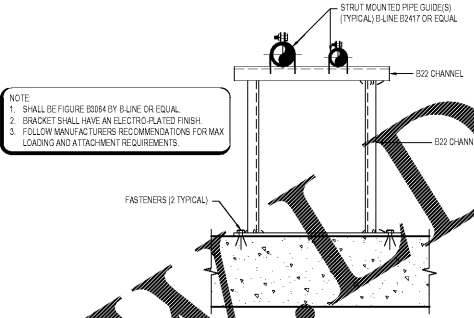
1 FLOOR MOUNTED PIPE SUPPORT
AQ5.2 3" = 1'-0"



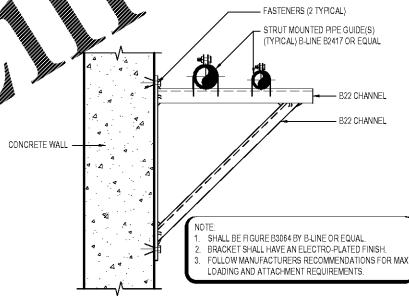
12 BELOW GRADE PIPING
AQ5.2 1" = 1'-0"



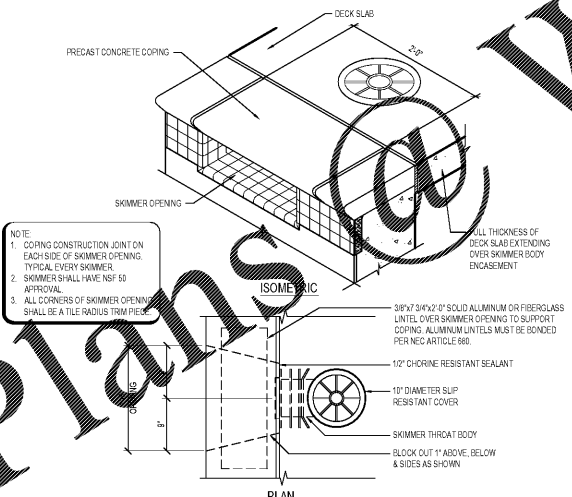
9 MAIN DRAIN
3' = 1'-0"



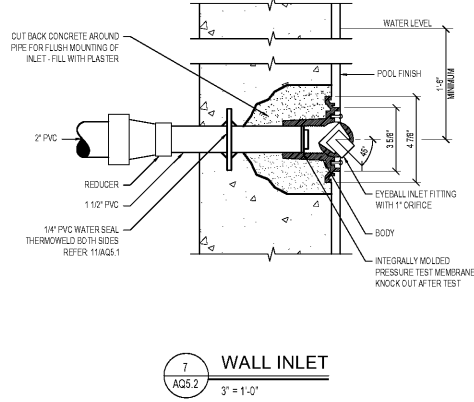
6 FLOOR MOUNTED ADJUSTABLE STRUT BRACKET
AQ5.2 3" = 1'-0"



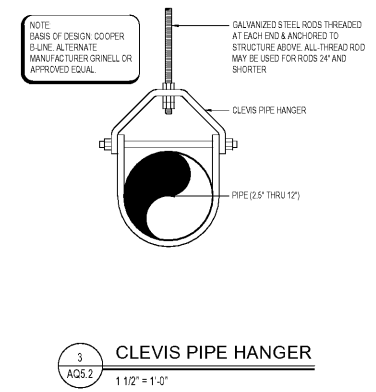
2 ADJUSTABLE STRUT BRACKET
AQ5.2 3" = 1'-0"



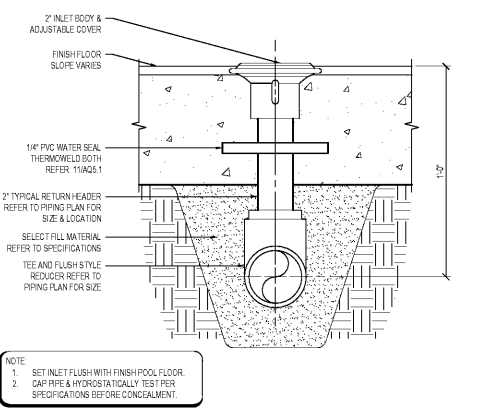
10 SKIMMER DETAIL
AQ5.2 1" = 1'-0"



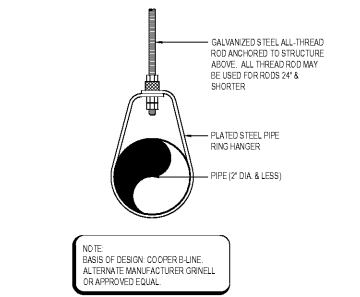
7 WALL INLET
AQ5.2 3" = 1'-0"



3 CLEVIS PIPE HANGER
AQ5.2 1 1/2\" = 1'-0"



8 FLOOR INLET
AQ5.2 3" = 1'-0"



4 SWIVEL RING PIPE HANGER
AQ5.2 1 1/2\" = 1'-0"

Order Plans @ WWW.DILine.com