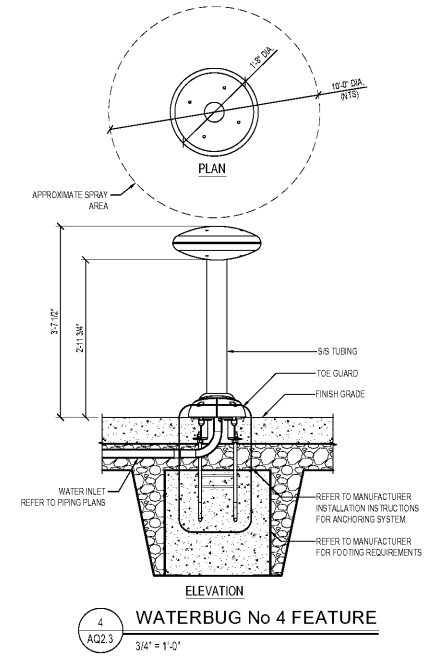
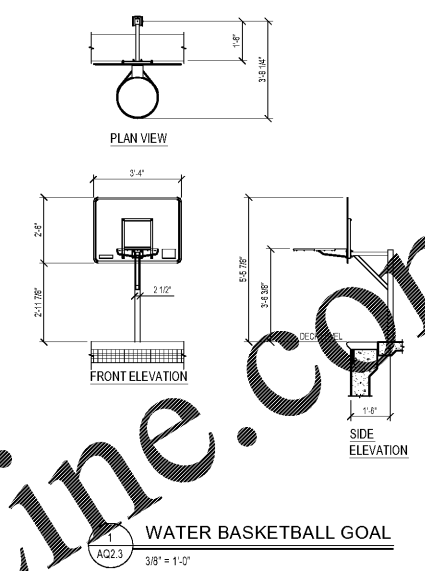


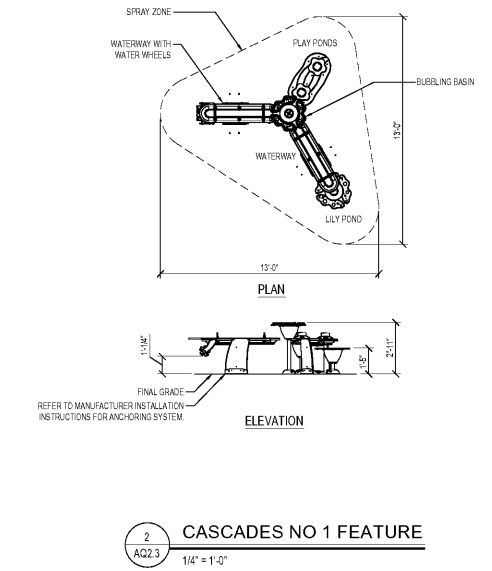
Order Plans @ www.LDILine.com



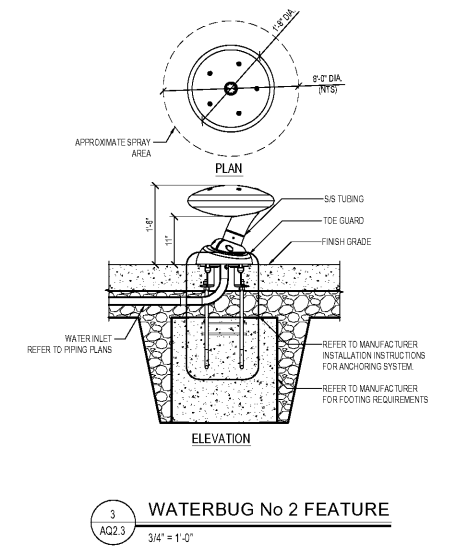
4 WATERBUG No 4 FEATURE
AQ2.3 3/4" = 1'-0"



1 WATER BASKETBALL GOAL
AQ2.3 3/8" = 1'-0"



2 CASCADES NO 1 FEATURE
AQ2.3 1/4" = 1'-0"



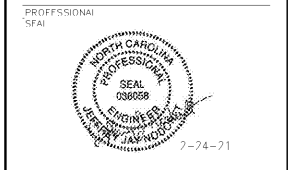
3 WATERBUG No 2 FEATURE
AQ2.3 3/4" = 1'-0"

City of Asheville/ Parks & Recreation
DR. WESLEY GRANT SR.
CENTER EXPANSION

785 LIVINGSTON STREFFT
ASHEVILLE, NC 28801



PROFESSIONAL SEAL
CLARK NEXSEN
301 COLLEGE STREFFT, SUITE 300
ASHEVILLE, NORTH CAROLINA 28801
828-237-0608
CLARK NEXSEN LICENS# NUMBR# C-1078



SUBMITTAL
03.17.2021
CONSTRUCTION DOCUMENTS

REVISIONS

KFY
PI AN

SHEET
POOL DETAILS

AQ2.3

DRAWN: CMR
REVISED: JUN
CN 7904-A