

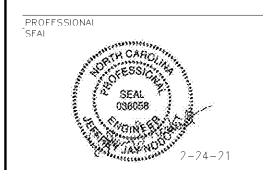


PROFESSIONAL SEAL

CLARK NEXSEN

301 COLLEGE STREET, SUITE 300
ASHEVILLE, NORTH CAROLINA 28801
828-237-0608
CLARK NEXSEN LIC. NO. 56167

CLARK NEXSEN LIC. NO. 56167



CONSTRUCTION DOCUMENTS

REVISIONS

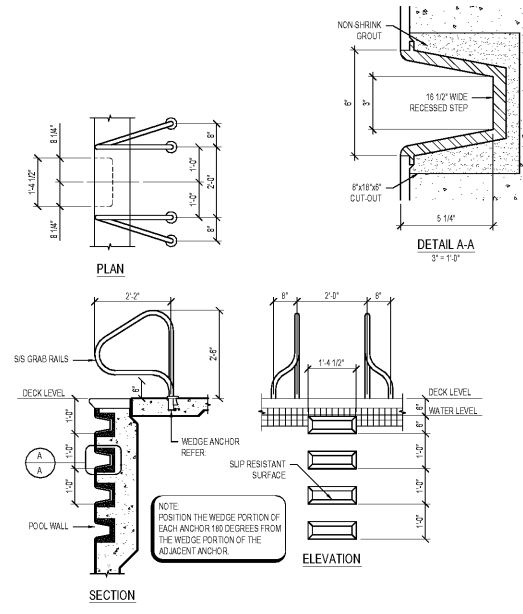
NO.	DESCRIPTION

DATE: 03.17.2021

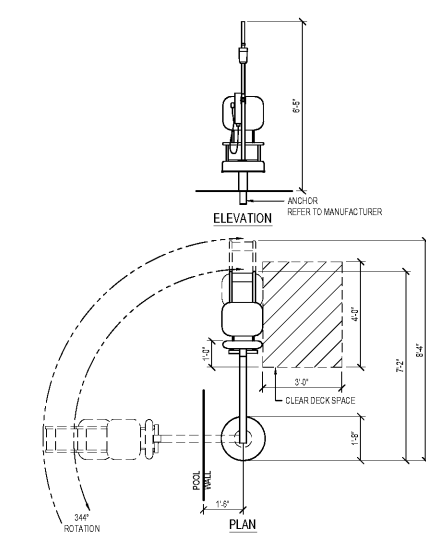
POOL DETAILS

AQ2.2

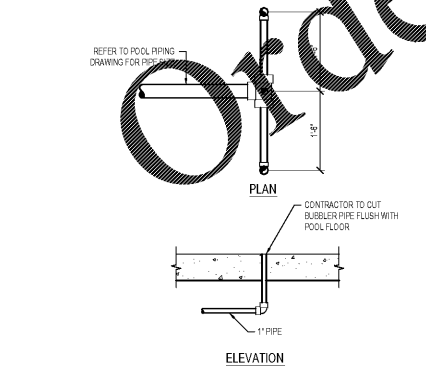
DATE: 03.17.2021
DRAWN: CMR
REVIEW: JUN
CN 7904-A



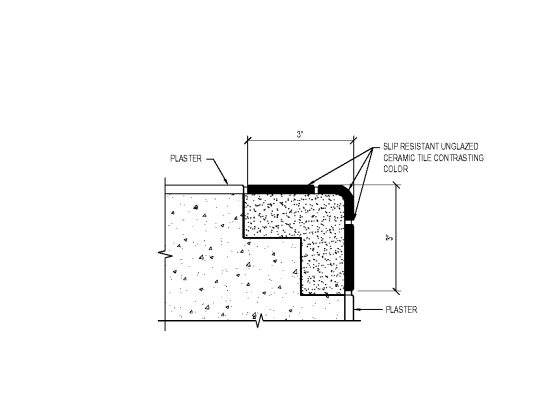
13 GRAB RAILS & RECESSED STEPS
AQ2.2 1/2" = 1'-0"



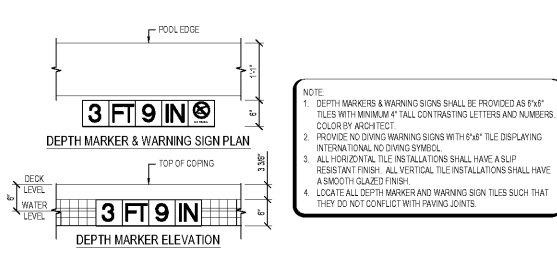
14 POOL LIFT
AQ2.2 3/8" = 1'-0"



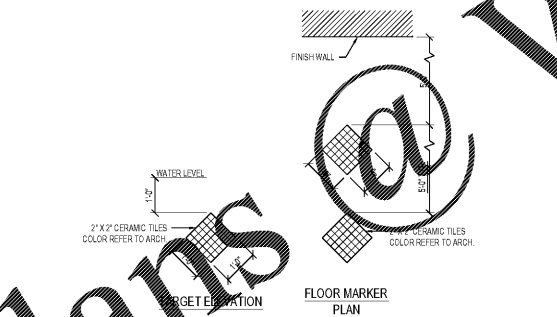
15 BUBBLER FEATURE
AQ2.2 3/4" = 1'-0"



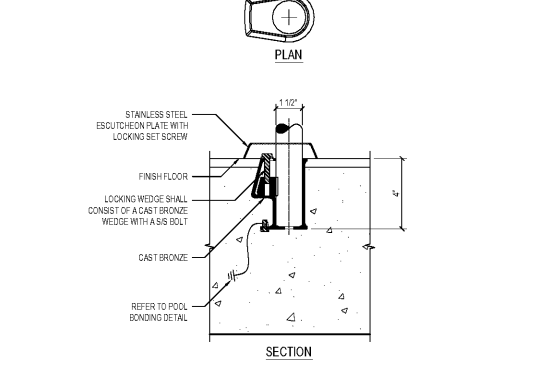
9 CONTRASTING NOSING
AQ2.2 6" = 1'-0"



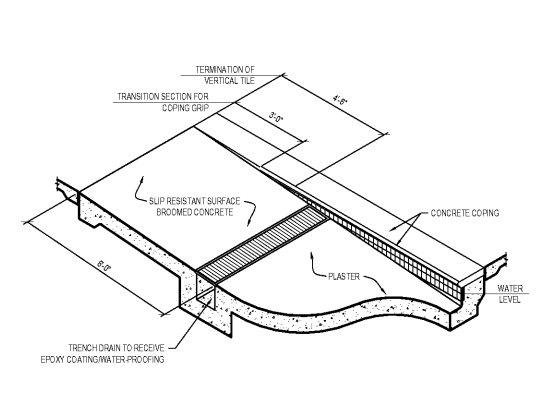
10 DEPTH MARKERS AND WARNING SIGNS
AQ2.2 3/4" = 1'-0"



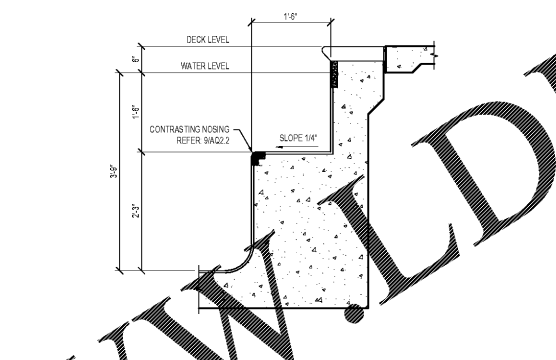
11 WALL TARGETS & FLOOR MARKERS
AQ2.2 1/2" = 1'-0"



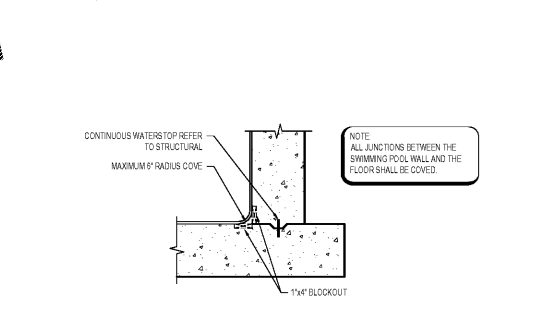
12 WEDGE ANCHOR
AQ2.2 3" = 1'-0"



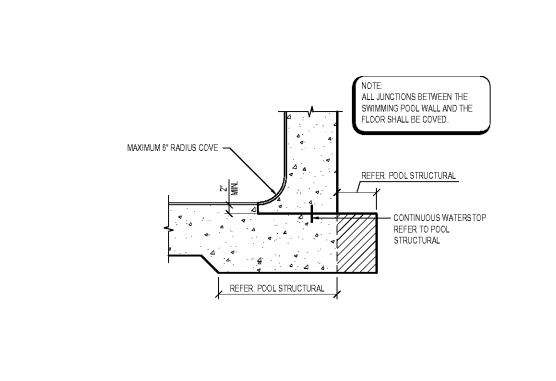
5 ZERO ENTRY ISOMETRIC
AQ2.2 3/8" = 1'-0"



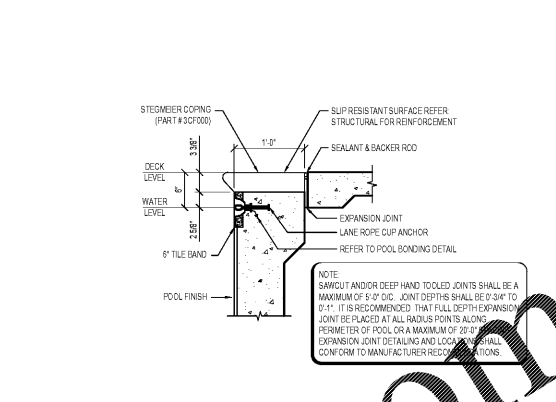
6 UNDERWATER BENCH
AQ2.2 3/4" = 1'-0"



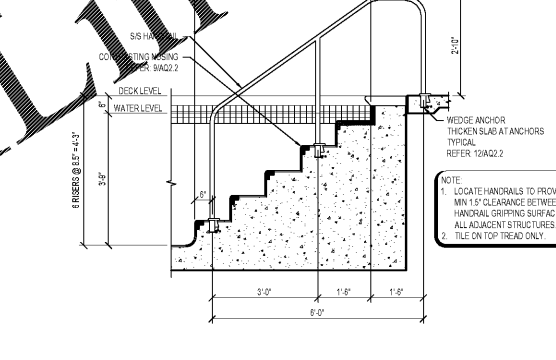
7 CAST IN PLACE CONCRETE COVE
AQ2.2 3/4" = 1'-0"



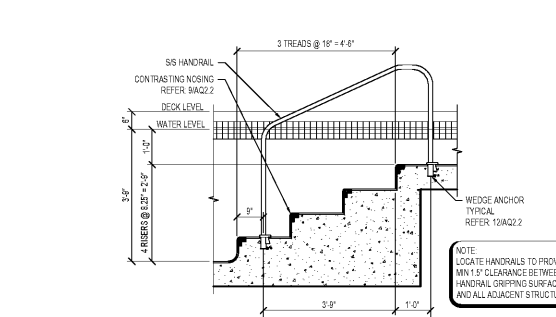
8 SHOTCRETE COVE
AQ2.2 3/4" = 1'-0"



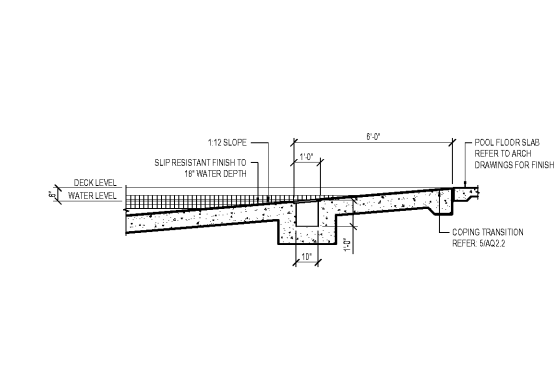
1 POOL WALL SECTION
AQ2.2 1" = 1'-0"



2 STAIR SECTION
AQ2.2 1/2" = 1'-0"



3 STAIR SECTION
AQ2.2 1/2" = 1'-0"



4 ZERO ENTRY SECTION
AQ2.2 3/8" = 1'-0"