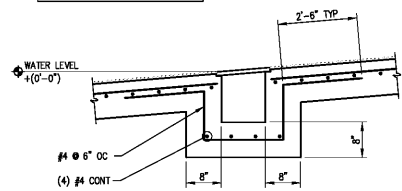


REVISIONS

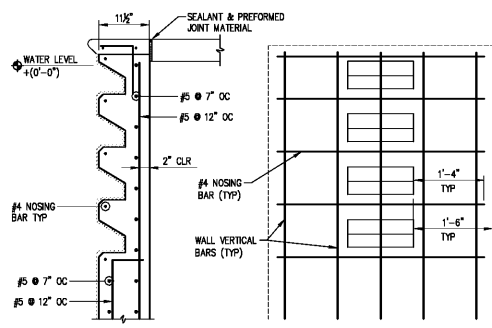
NO.	DESCRIPTION

KEY PLAN

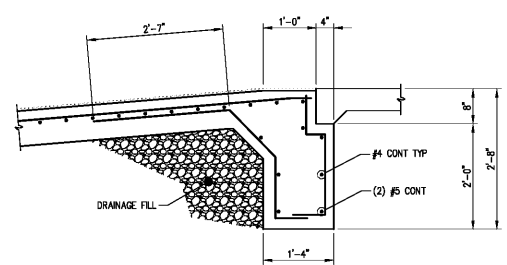
COORDINATE DIMENSIONS AND GRATING SUPPORTS WITH POOL DRAWINGS AND EQUIPMENT SUPPLIER



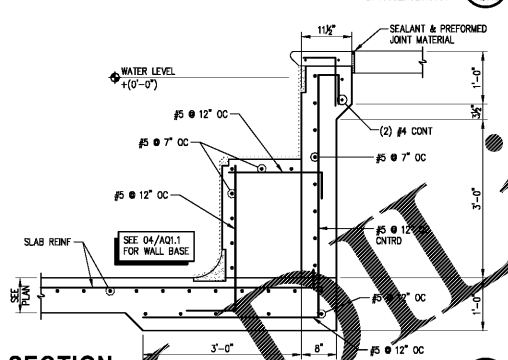
**SECTION 10**  
 SCALE: NTS  
 DET1033\_7020.0097



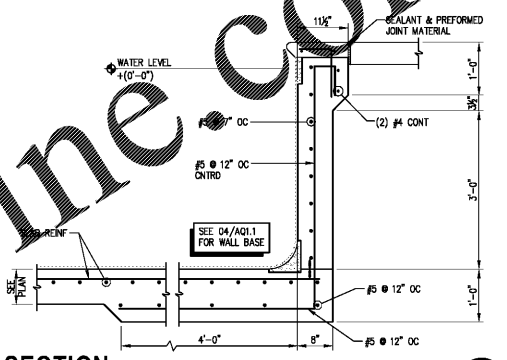
**SECTION 05**  
 SCALE: 3/4" = 1'-0"  
 DET005\_7020.0097



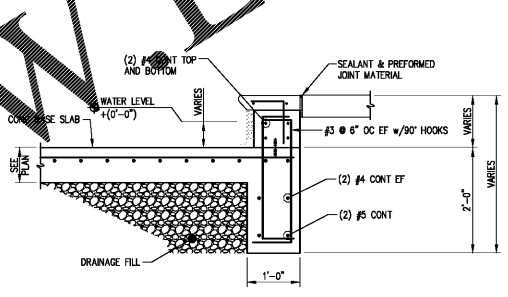
**SECTION 11**  
 SCALE: 3/4" = 1'-0"  
 DET1034\_7020.0097



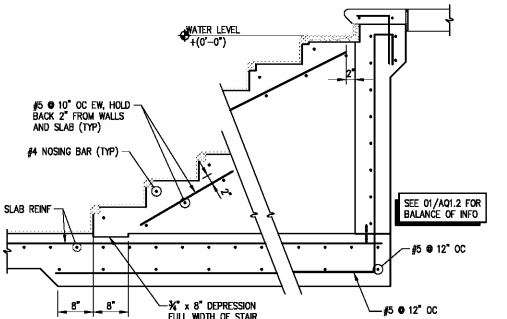
**SECTION 06**  
 SCALE: 3/4" = 1'-0"  
 DET1011\_7020.0097



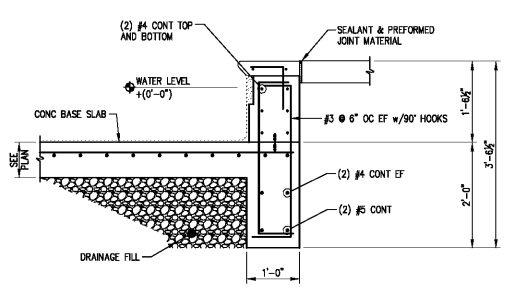
**SECTION 01**  
 SCALE: 3/4" = 1'-0"  
 DET1001\_7020.0097



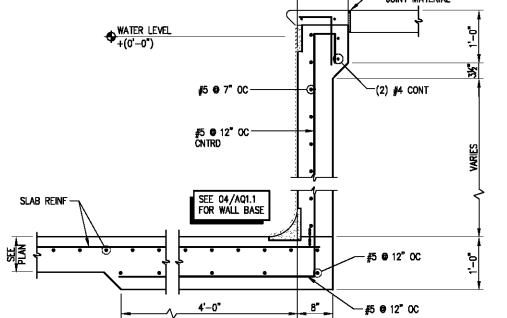
**SECTION 07**  
 SCALE: 3/4" = 1'-0"  
 DET008\_7020.0097



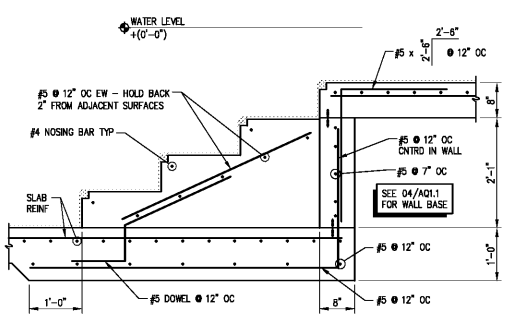
**SECTION 02**  
 SCALE: 3/4" = 1'-0"  
 DET002\_7020.0097



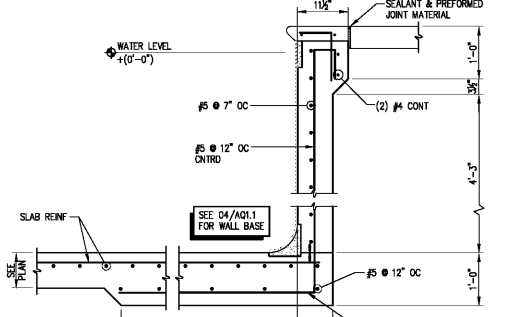
**SECTION 08**  
 SCALE: 3/4" = 1'-0"  
 DET009\_7020.0097



**SECTION 03**  
 SCALE: 3/4" = 1'-0"  
 DET003\_7020.0097



**SECTION 09**  
 SCALE: 3/4" = 1'-0"  
 DET010\_7020.0097



**SECTION 04**  
 SCALE: 3/4" = 1'-0"  
 DET004\_7020.0097

Order Plans @ [www.tbdline.com](http://www.tbdline.com)