



PROFESSIONAL SEAL



2021.03.15 12:16:45-04'00"

DATE: 03.12.2021
CONSTRUCTION DOCUMENTS

REVISIONS

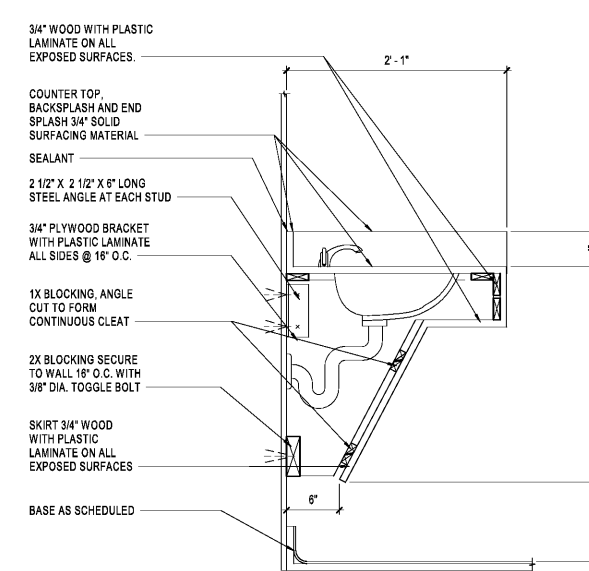
KEY PLAN

SHEET:
**INTERIOR ELEVATIONS &
 CASEWORK**

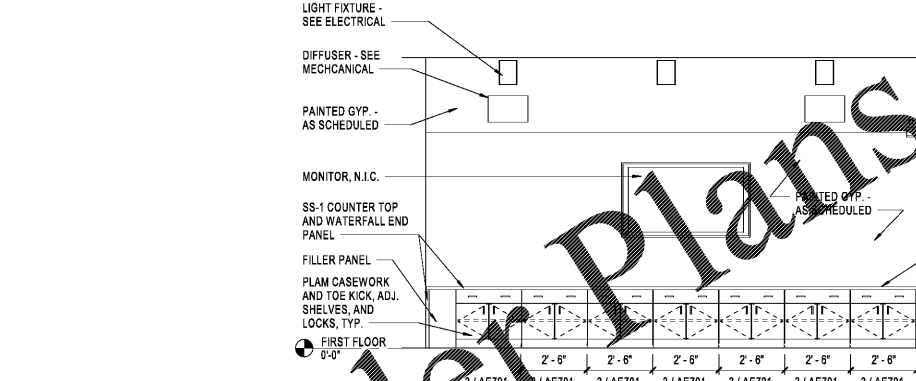
AE701

1 2 3 4 5 6

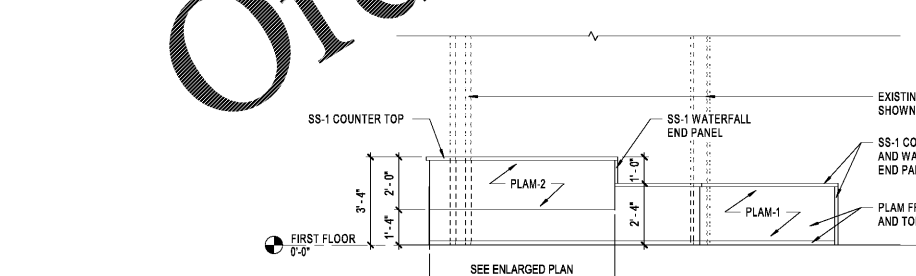
E D C B A



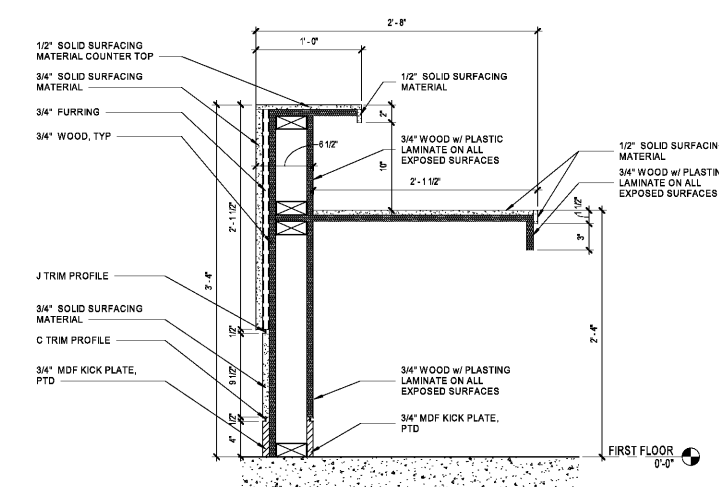
6 TYP. CASEWORK BATHROOM LAVATORIES
 1 1/2" = 1'-0"



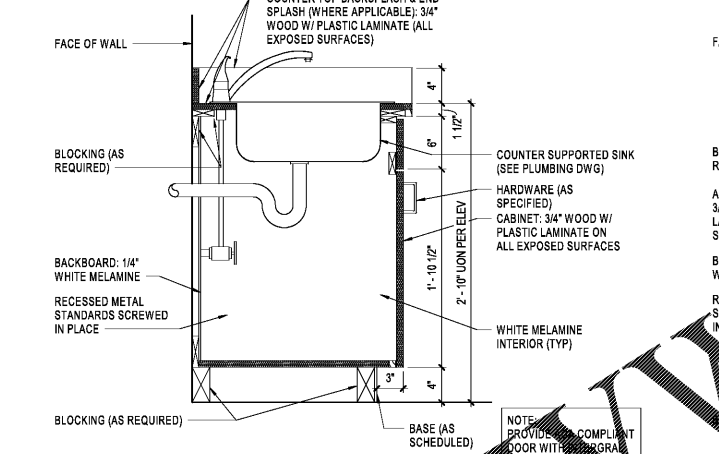
D RECEPTION STORAGE
 1/2" = 1'-0"



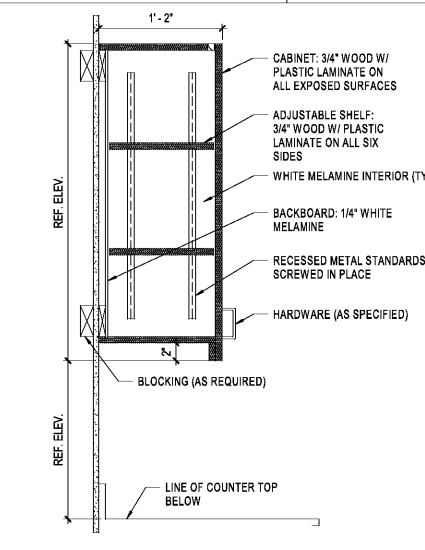
B RECEPTION DESK FRONT
 3/8" = 1'-0"



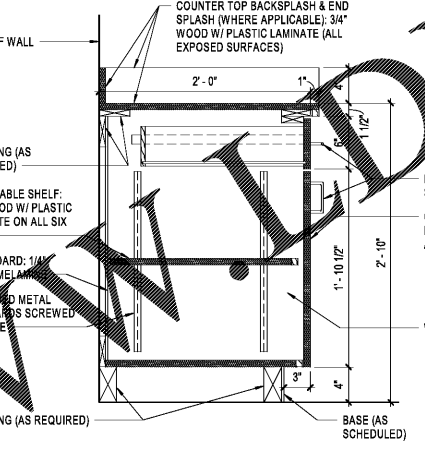
7 TYP. RECEPTION DESK DET.
 1 1/2" = 1'-0"



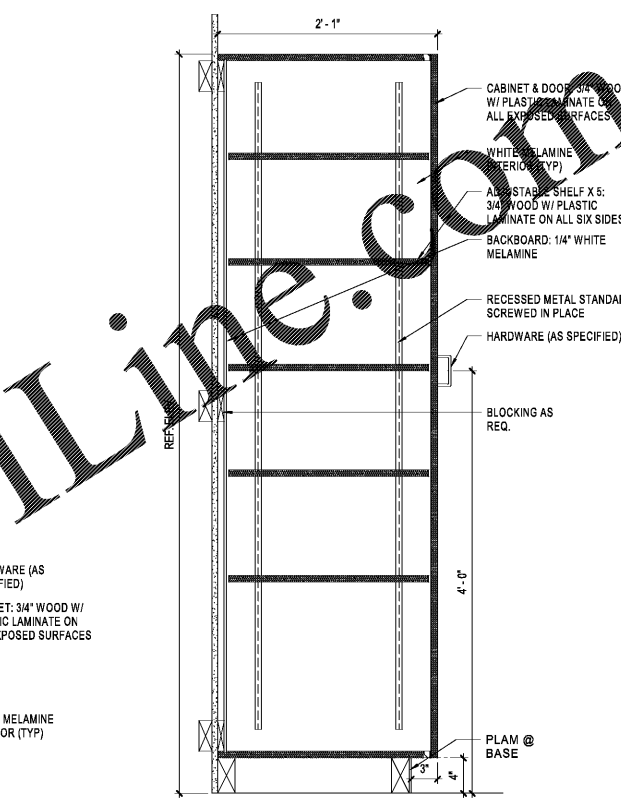
5 TYP. BASE CABINET W/ SINK DET
 1 1/2" = 1'-0"



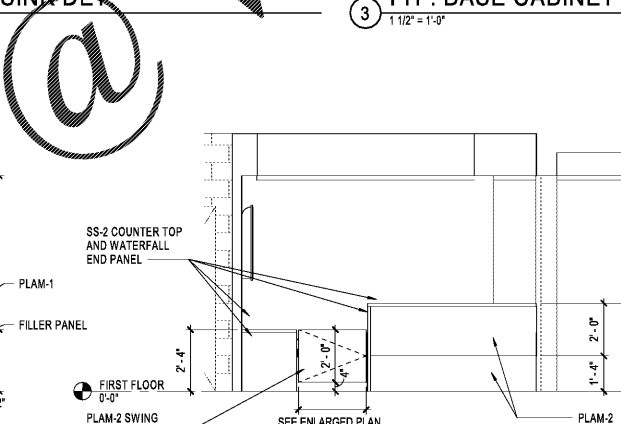
4 TYP. UPPER CABINET DET.
 1 1/2" = 1'-0"



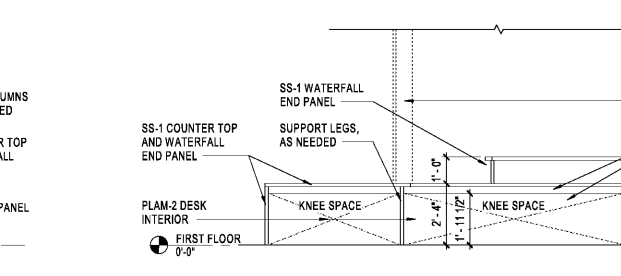
3 TYP. BASE CABINET DET.
 1 1/2" = 1'-0"



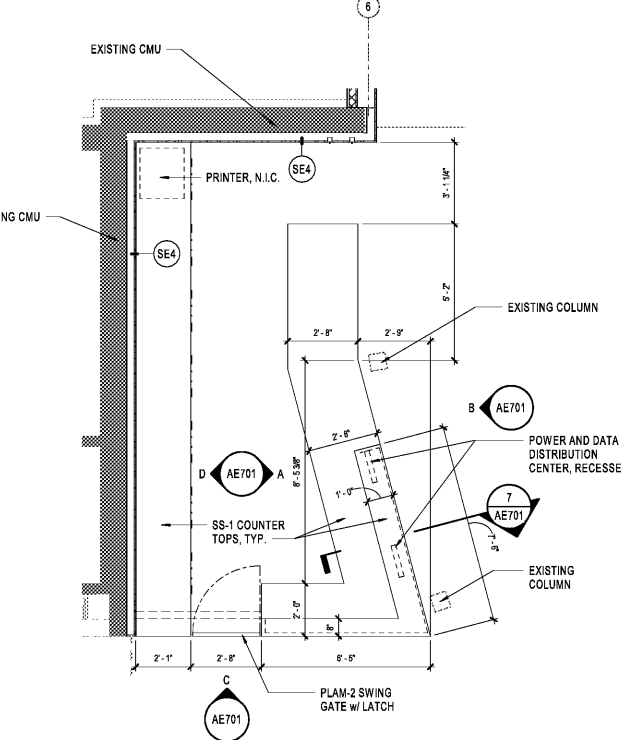
2 TYP. TALL CABINET DET.
 1 1/2" = 1'-0"



C RECEPTION DESK - SIDE
 3/8" = 1'-0"



A RECEPTION DESK BACK
 3/8" = 1'-0"



1 RECEPTION DESK - ENLARGED PLAN
 3/8" = 1'-0"

Order Plans @

P:\Projects\14-000-00-000\14-000-00-000-001\14-000-00-000-001-001.dwg
 C:\Users\jacob.cline\Documents\14-000-00-000-001\14-000-00-000-001-001.dwg