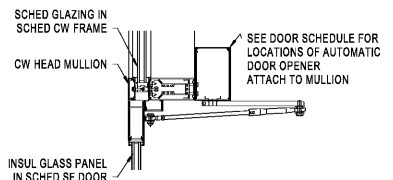
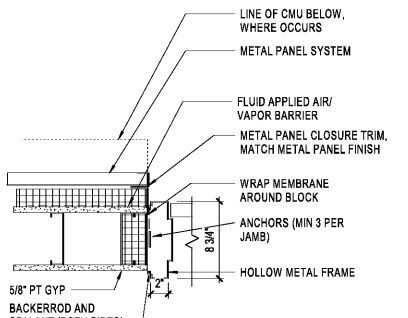




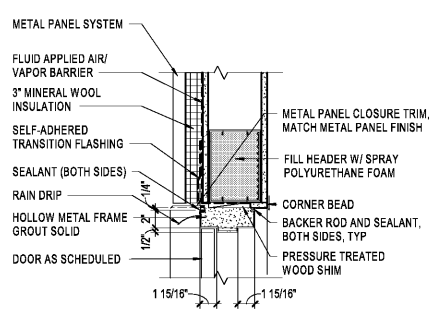
DOOR NO	ROOM NAME	DOOR						FRAME					FIRE RATING	HARDWARE SETS	COMMENTS
		TOTAL WIDTH	HEIGHT	THICKNESS	TYPE	MATERIAL	Door Glazing	TYPE	MATERIAL	HEAD	JAMB	SILL			
FIRST FLOOR															
101	CONNECTOR	3'-0"	7'-0"	1 3/4"	D8	ALUM / GLASS	GL-2	SEE GLAZING ELEVATIONS	ALUM	11/AE01	2/AE513	12/AE01	13.0		
102B	CORRIDOR	3'-0"	7'-0"	1 3/4"	D8	ALUM / GLASS	GL-2	SEE GLAZING ELEVATIONS	ALUM	11/AE01	2/AE513	12/AE01	1.0	PANIC HARDWARE	
103	OFFICE	3'-0"	7'-0"	1 3/4"	D4	SCW / GLASS	GL-1	F1	HM	2/AE01	3/AE01	1/AE01	12.0		
104	POOL STORAGE/ RISER ROOM	6'-0"	8'-0"	1 3/4"	D2	STL		F2	HM	10/AE01	13/AE01	7/AE01	21.0		
105	CORRIDOR	3'-0"	7'-0"	1 3/4"	D1	WD		F1	HM	2/AE01	3/AE01	1/AE01	16.0		
106B	CORRIDOR	3'-0"	7'-0"	1 3/4"	D1	STL		F1	HM	10/AE01	13/AE01	7/AE01	17.0		
106	CORRIDOR	3'-0"	7'-0"	1 3/4"	D1	WD		F1	HM	2/AE01	3/AE01	1/AE01	16.0		
106B	CORRIDOR	3'-0"	7'-0"	1 3/4"	D1	STL		F1	HM	10/AE01	13/AE01	7/AE01	17.0		
107	CORRIDOR	3'-0"	7'-0"	1 3/4"	D1	WD		F1	HM	2/AE01	3/AE01	1/AE01	15.0		
108	CORRIDOR	3'-0"	7'-0"	1 3/4"	D1	SCW		F1	HM	2/AE01	3/AE01	1/AE01	18.0		
109	CORRIDOR	3'-0"	7'-0"	1 3/4"	D1	SCW		F1	HM	2/AE01	3/AE01	1/AE01	10.0	CARD READER, PANIC HARDWARE, CARD READER	
109B	ELECTRICAL ROOM	3'-0"	7'-0"	1 3/4"	D1	STL		F1	HM	10/AE01	13/AE01	7/AE01	8.0		
110	IT RM	3'-0"	7'-0"	1 3/4"	D1	SCW		F1	HM	2/AE01	3/AE01	1/AE01	14.0		
111A	PROGRAM SPACE	3'-0"	7'-0"	1 3/4"	D4	SCW / GLASS	GL-1	F1	HM	2/AE01	3/AE01	1/AE01	9.0		
111B	PROGRAM SPACE	3'-0"	7'-0"	1 3/4"	D4	SCW / GLASS	GL-1	F1	HM	2/AE01	3/AE01	1/AE01	9.0		
112	PROGRAM SPACE	6'-0"	8'-0"	1 3/4"	D2	STL		F2	HM	2/AE01	3/AE01	1/AE01	9.0		
115A	CORRIDOR	6'-0"	7'-0"	1 3/4"	D9	ALUM / GLASS		SEE GLAZING ELEVATIONS	ALUM	6/AE01	4/AE01	4/AE01	5.0		
115B	GYM	3'-0"	7'-0"	1 3/4"	D8	ALUM / GLASS	GL-1	SEE GLAZING ELEVATIONS	ALUM	6/AE01	4/AE01	4/AE01	3.0	PANIC HARDWARE	
115C	GYM	6'-0"	8'-1"	1 3/4"	D2	STL		F2	HM	8/AE01	9/AE01	7/AE01	11.0	PANIC HARDWARE	
120	POOL EQUIPMENT ROOM	6'-0"	7'-0"	1 3/4"	D2	STL		F2	HM	10/AE01	13/AE01	7/AE01	21.0		
121	PH. BUFFER	3'-0"	7'-0"	1 3/4"	D1	STL		F1	HM	8/AE01	9/AE01	7/AE01	20.0		
122	CHEM. STORAGE	3'-0"	7'-0"	1 3/4"	D1	STL		F1	HM	8/AE01	9/AE01	7/AE01	20.0		
E001	EXISTING BUILDING	V.L.F.	V.L.F.	V.L.F.									2.0	NEW DOOR IN EXIST. OPENING, CARD READER	
E003	EXISTING BUILDING	3'-0" V.L.F.	8'-0" V.L.F.	1 3/4" V.L.F.	D5	STL	GL-2	F-1	HM				7.0	EXIST. DOOR, CARD READER	
E004	EXISTING BUILDING	V.L.F.	V.L.F.	V.L.F.									6.0	EXIST. DOOR, CARD READER	



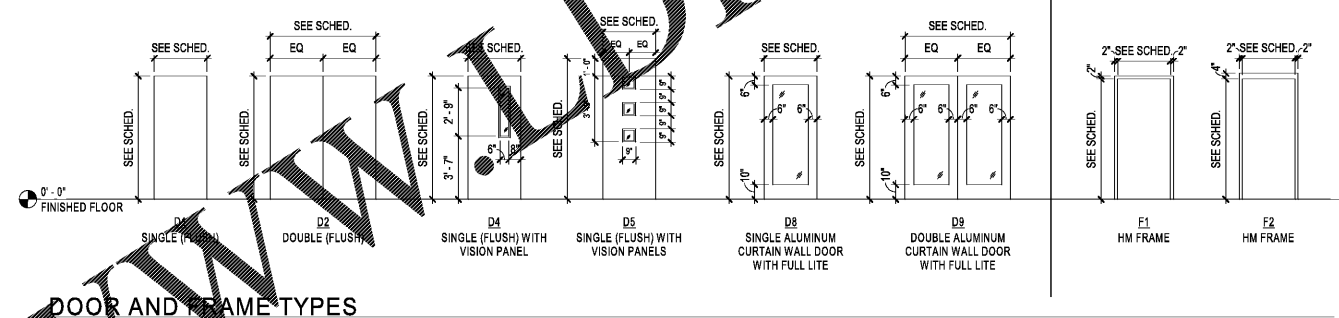
11 TYP. EXT. SF DOOR HEAD
 AE601 1 1/2" = 1'-0"



13 TYP. EXT. HM DOOR JAMB @ STL STUD
 AE601 1 1/2" = 1'-0"

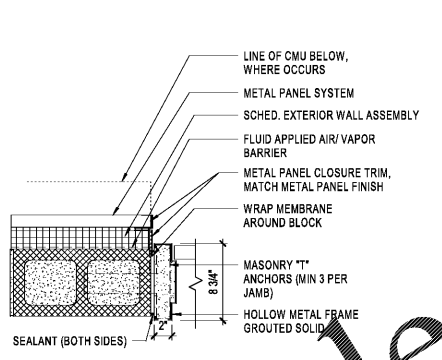


10 TYP. EXT. HEAD @ STL STUD MTL PANEL
 AE601 1 1/2" = 1'-0"

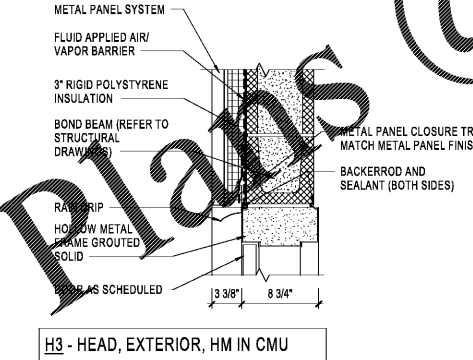


DOOR AND FRAME TYPES

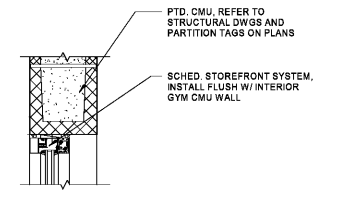
GLAZING SCHEDULE		
TYPE	THICKNESS	DESCRIPTION
GL-1	1/4"	TEMPERED
GL-2	1"	TEMPERED, INSULATED
GL-3	1"	TEMPERED, LAMINATED, INSULATED



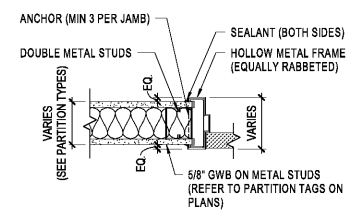
9 TYP. EXT. HM DOOR JAMB @ CMU
 AE601 1 1/2" = 1'-0"



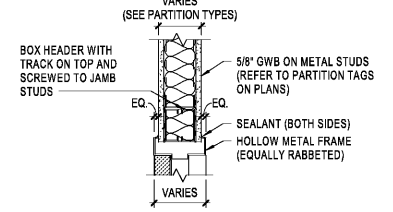
8 TYP. EXT. HM DOOR HEAD @ CMU MTL PANEL
 AE601 1 1/2" = 1'-0"



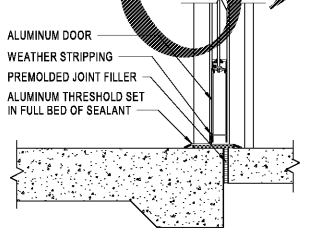
6 TYP. INT. SF SILL DETAIL
 AE601 1 1/2" = 1'-0" REF 1 / AE311



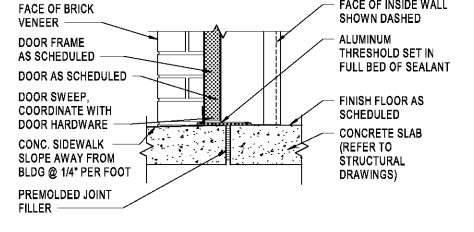
3 TYP. HM DOOR JAMB
 AE601 1 1/2" = 1'-0"



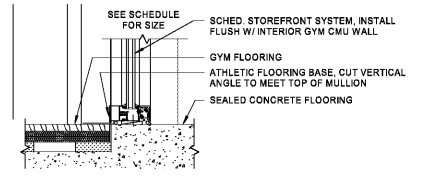
2 TYP. HM DOOR HEAD
 AE601 1 1/2" = 1'-0"



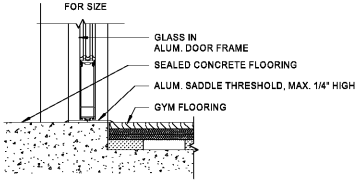
12 TYP. EXT. SF DOOR SILL
 AE601 1 1/2" = 1'-0"



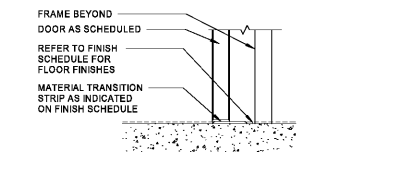
7 TYP. EXT. HM DOOR SILL @ CMU MTL PANEL
 AE601 1 1/2" = 1'-0"



5 TYP. INT. SF SILL DETAIL
 AE601 1 1/2" = 1'-0" REF 1 / AE311



4 TYP. INT. SF DOOR SILL DETAIL
 AE601 1 1/2" = 1'-0"



1 TYP. HM DOOR SILL
 AE601 1 1/2" = 1'-0"

Order Plans @

WWW.DIILING.COM

A:\Projects\14-000-00-000\CAD\2021\031221\031221.dwg, 03/12/2021 12:16:43 PM, A:\31221\031221.dwg