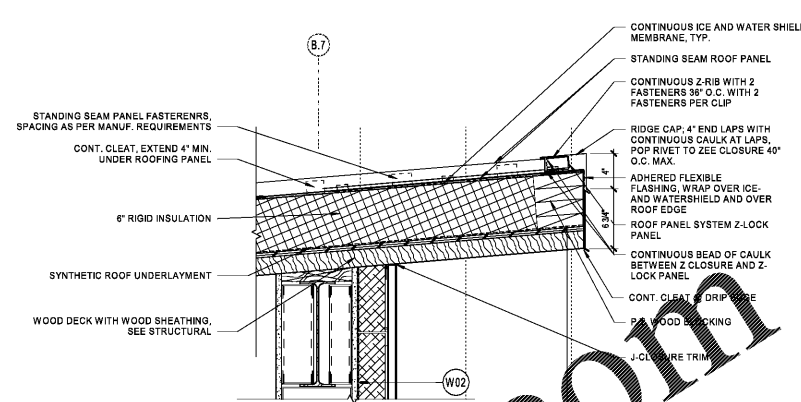
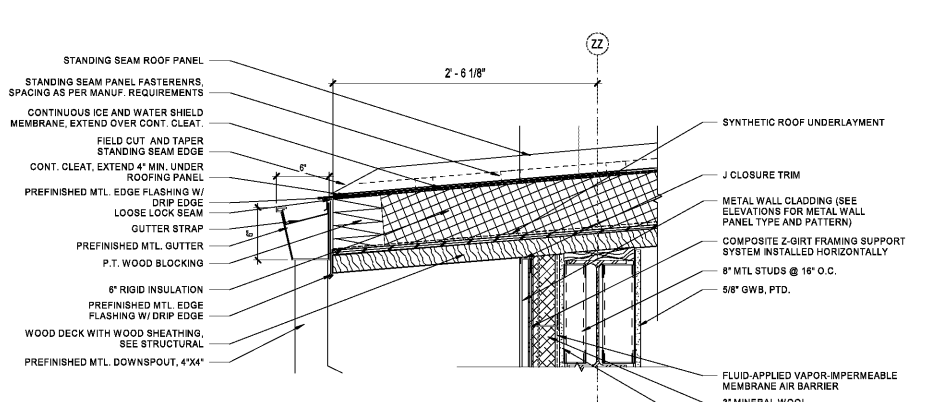




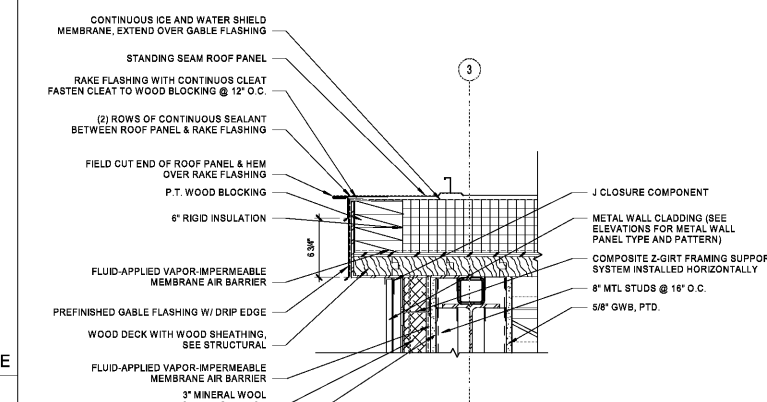
AE522



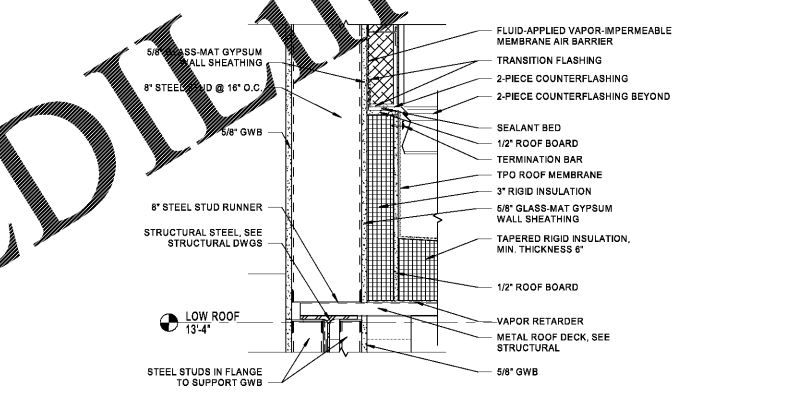
4 SECTION DETAIL - WOOD DECK OVERHANG 2
 REF A4 / AE313



7 SECTION DETAIL - WOOD DECK OVERHANG
 REF A1 / AE314



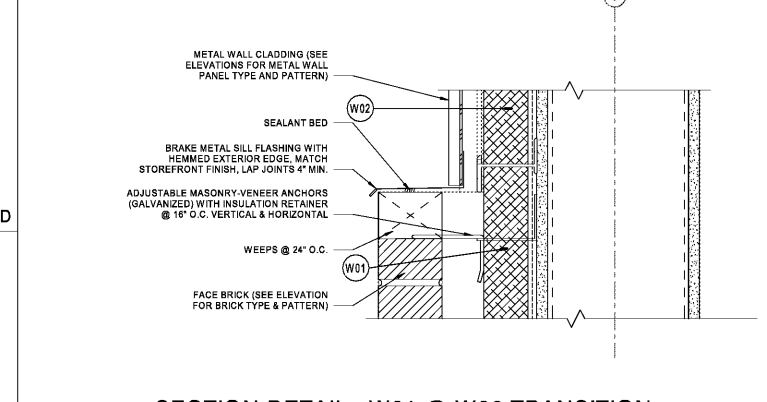
11 SECTION DETAIL - W02 @ WOOD DECK ROOF @ GABLE
 REF A5 / AE314



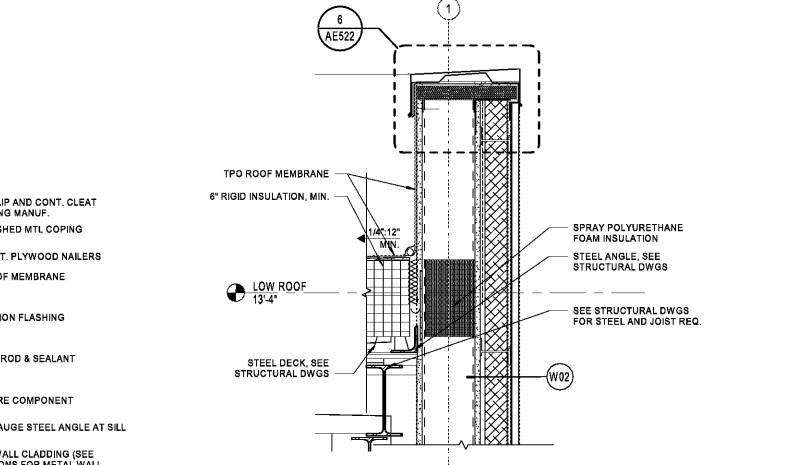
3 SECTION DETAIL - W02 @ LOW ROOF TRANSITION
 REF 2 / AE311



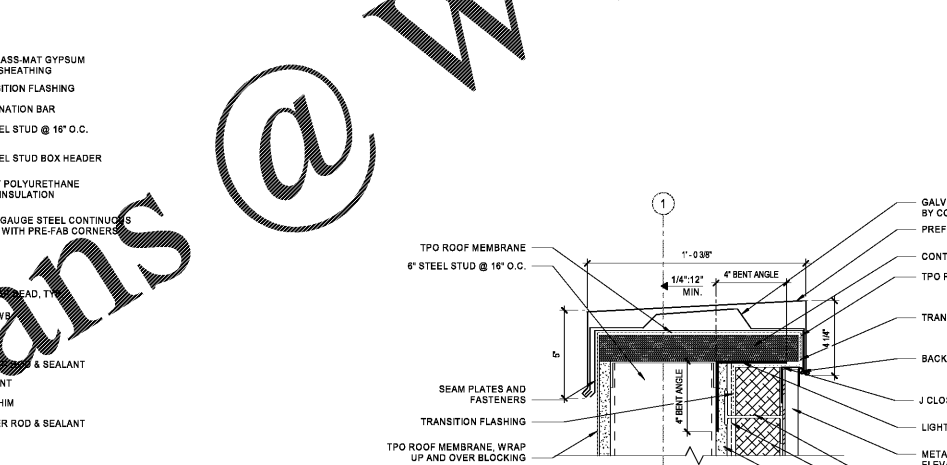
10 SECTION DETAIL - W01 @ W02 TRANSITION
 REF 4 / AE312



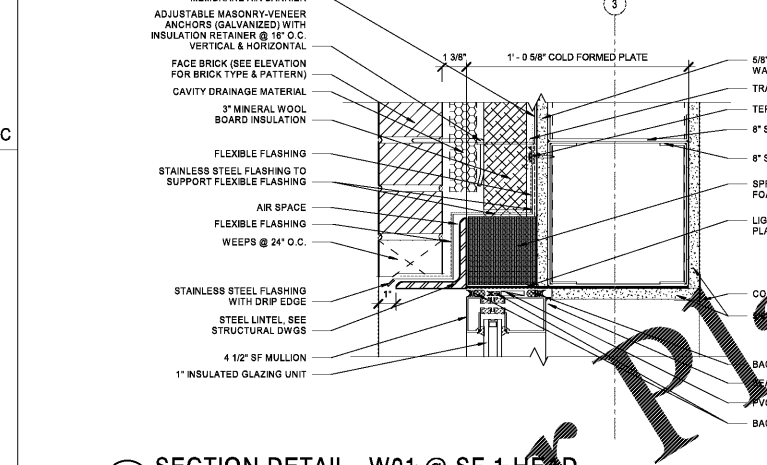
9 SECTION DETAIL - W01 @ SF-1 HEAD
 REF A5 / AE314



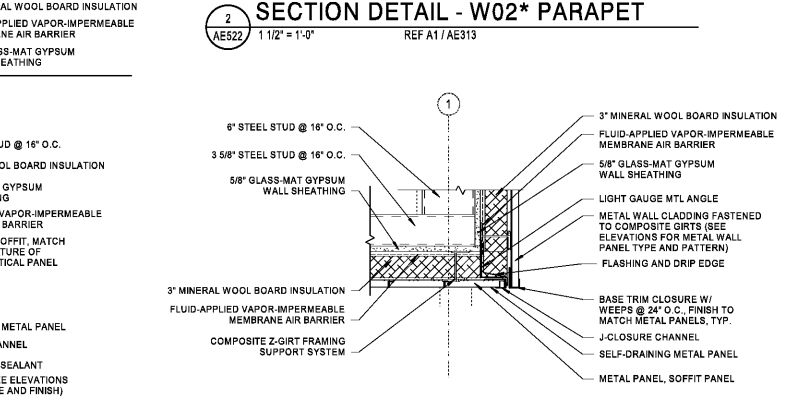
2 SECTION DETAIL - W02* PARAPET
 REF A1 / AE313



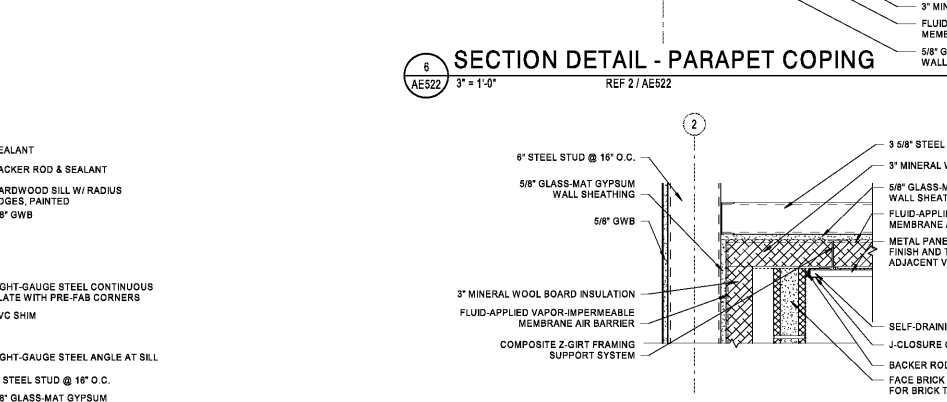
6 SECTION DETAIL - PARAPET COPING
 REF 2 / AE522



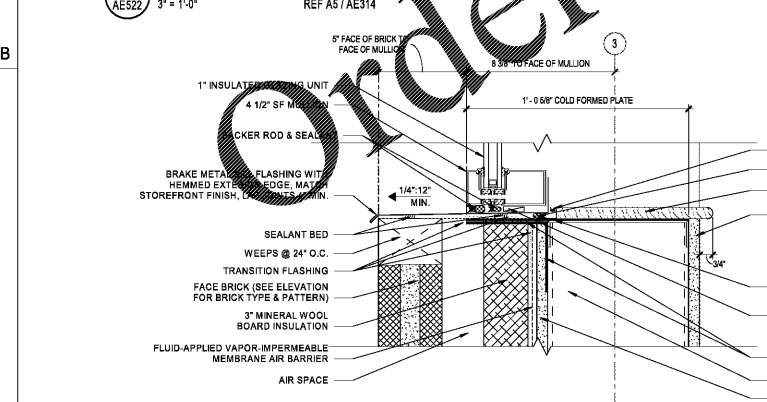
8 SECTION DETAIL W01 @ SF-1 SILL
 REF A5 / AE314



1 SECTION DETAIL - METAL PANEL SOFFIT
 REF A5 / AE313



5 SECTION DETAIL - METAL PANEL SOFFIT @ CMU
 REF A5 / AE313



1 SECTION DETAIL - METAL PANEL SOFFIT
 REF A5 / AE313

Order Plans @ www.LDOnline.com

11/10/2021 11:48:19 AM
 C:\Users\jacob\OneDrive\Documents\Projects\ASHEVILLE\DR. WESLEY GRANT SR. CENTER EXPANSION\DWG\AE522.dwg