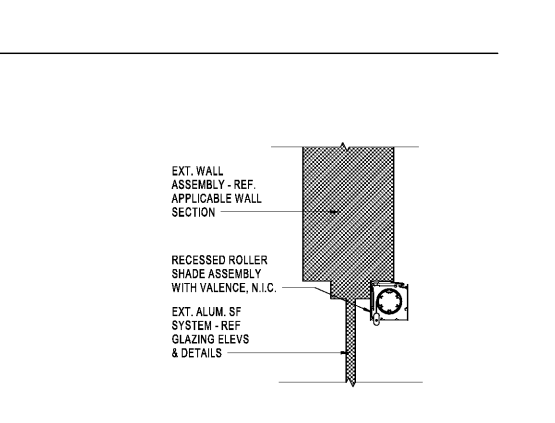
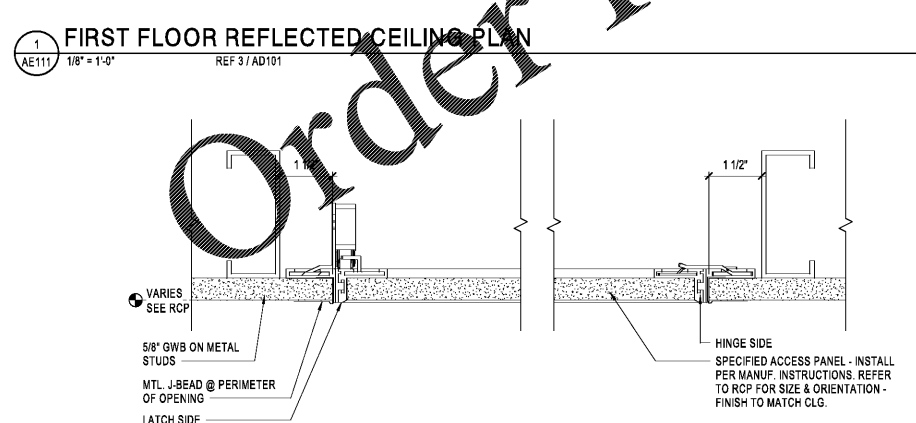
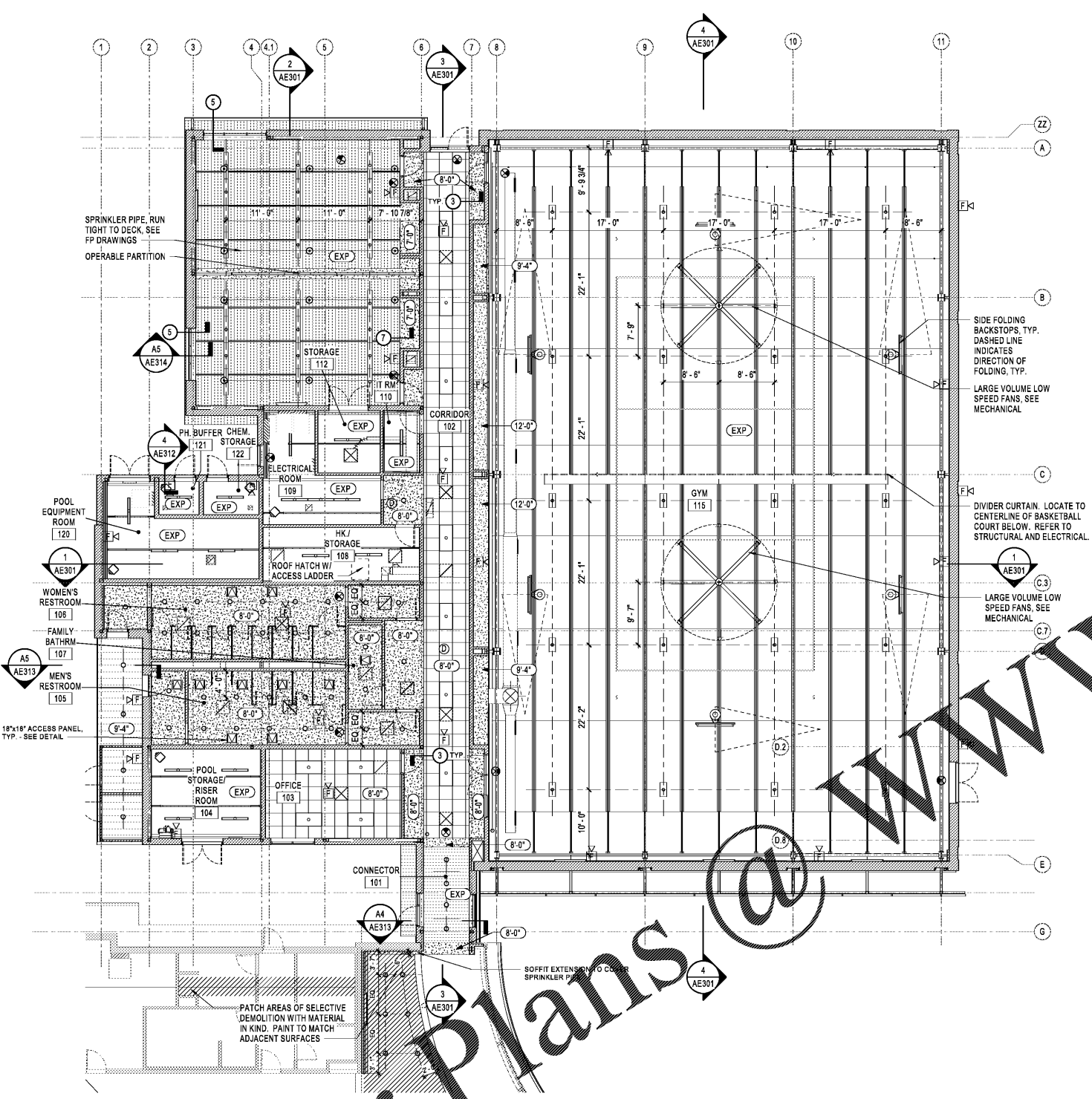
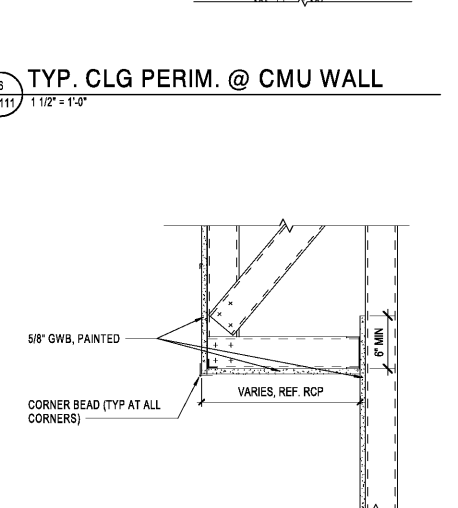
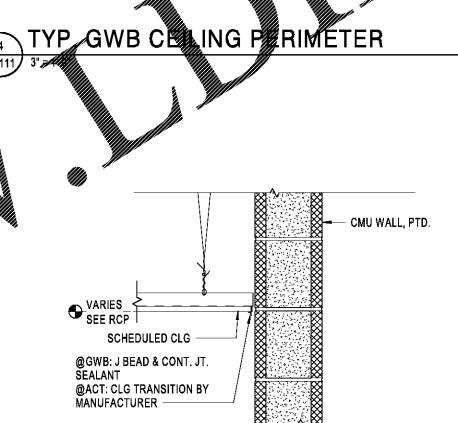
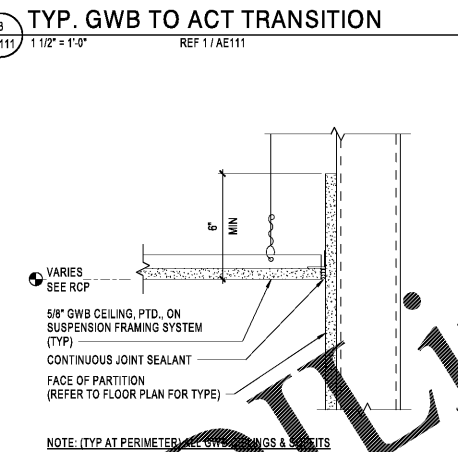
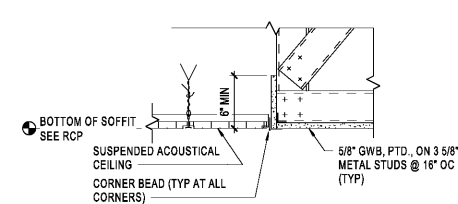




- REFER TO SHEET A-001 FOR RCP LEGEND
- REFER TO SHEETS AE300 - AE303 FOR CEILING DETAILS.
- ALL CEILINGS ARE X-X" AFF. UON.
- HVAC & LIGHTING FIXTURES SHOWN ARE FOR GRAPHICAL PURPOSES ONLY. GC TO REFER TO PANE DRAWINGS AND SPRINKLER PIPING SHOP DRAWINGS AND SHOULD NOTIFY ARCHITECT IMMEDIATELY OF ANY CONFLICTS OR DISCREPANCIES.
- GENERAL CONTRACTOR TO COORDINATE ALL SOFFIT/BULKHEAD FRAMING WITH FINAL LIGHTING FIXTURES & HVAC DIFFUSER LOCATIONS.
- GENERAL CONTRACTOR TO FIELD VERIFY CEILING HEIGHTS SHOWN ON RCP DRAWINGS PRIOR TO INSTALLATION OF ALL MECHANICAL DUCTWORK, SPRINKLER PIPING, ELECTRICAL EQUIPMENT, CONDUITS, ETC. ARCHITECT TO BE NOTIFIED IMMEDIATELY OF ANY DISCREPANCIES.
- GENERAL CONTRACTOR TO INSTALL WIRE HANGERS @ ALL CORNERS OF LIGHT FIXTURES, REGISTERS, & GRILLES.
- REFER TO INTERIOR & EXTERIOR SECTIONS FOR ADDITIONAL CEILING DETAILS NOT NOTED ON THIS SHEET.
- ALL RECESSED LIGHTING SHALL BE CENTERED WITHIN THE SOFFIT DIMENSIONS, UON.
- WHERE ACT IS LOCATED, ALL FIXTURES INCLUDING BUT NOT LIMITED TO MOTION DETECTORS, FIRE ALARM STROBES, & SPRINKLER HEADS, ARE TO BE LOCATED IN THE CENTER OF THE TILE.
- WHERE GWB SOFFIT IS LONGER THAN 30'-0", CONTROL JOINTS SHOULD BE LOCATED IN GWB SOFFIT EVERY 30'-0". ALIGN WITH CONTROL JOINTS IN GWB WALLS WHERE PRESENT.



- SUPPLY GRILLE / RETURN GRILLE
- EXHAUST FAN
- LIGHT FIXTURE / EMERGENCY EGRESS LIGHT FIXTURE
- EXIT LIGHT / EXIT LIGHT W/ ARROW
- OCCUPANCY SENSOR
- CEILING MOUNTED RECEPTACLE
- CEILING MOUNTED SECURITY CAMERA
- SPRINKLER HEAD
- FIRE ALARM STROBE / FIRE ALARM HORN STROBE
- SMOKE DETECTOR
- SPEAKER / SPEAKER W/ STROBE
- CARBON MONOXIDE SENSOR
- HEAT SENSOR / PHOTO SENSOR
- EXPOSED CEILING
- CEILING HEIGHT
- ACCESS PANEL
- CEILING FAN
- 2' x 2' ACOUSTICAL TILE LAY-IN CEILING
- GWB CEILING / SOFFIT
- METAL PANEL SOFFIT
- T&G WOOD CEILING

Order Plans @ www.LDOnline.com