

PROFESSIONAL SEAL



REVISION TABLE
 03.12.21
CONSTRUCTION DOCUMENTS

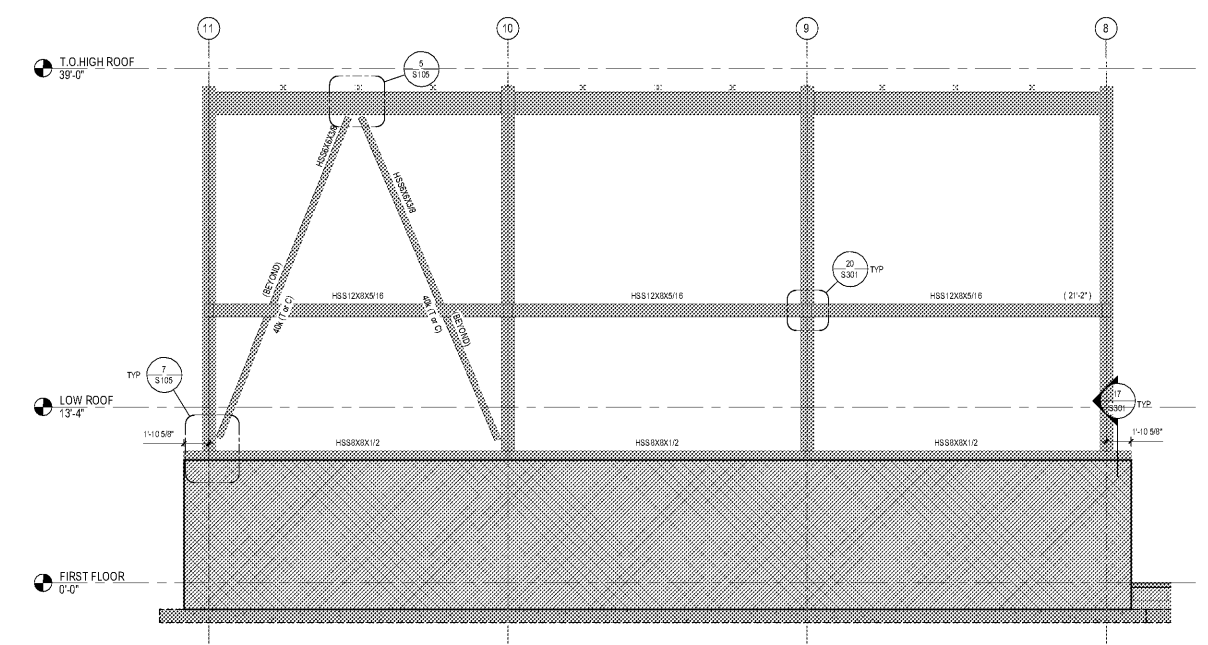
NO.	DATE	DESCRIPTION

NOTES

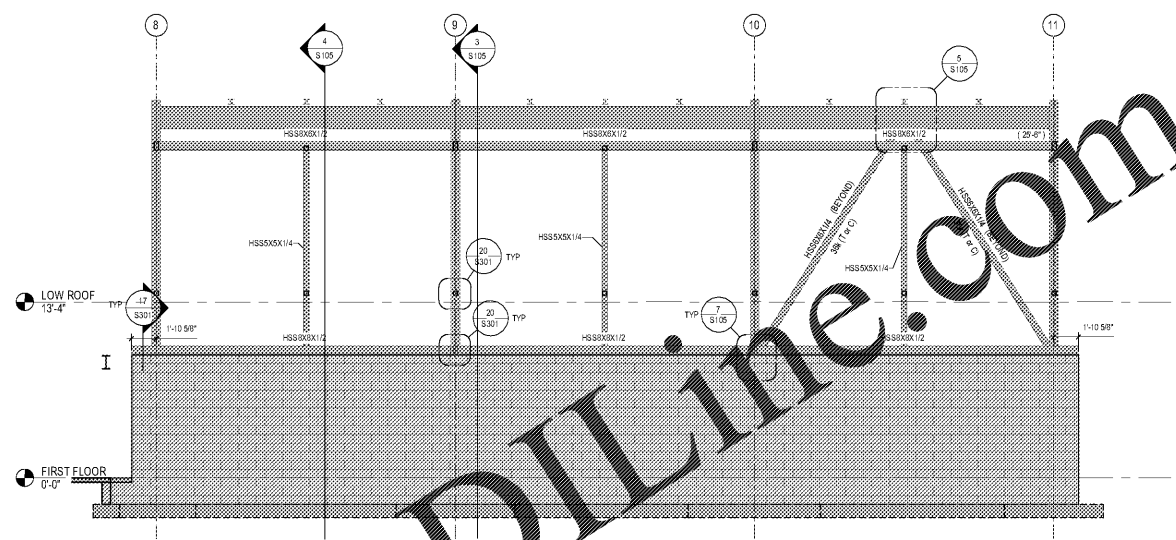
SHEET
FRAMING ELEVATIONS

S104

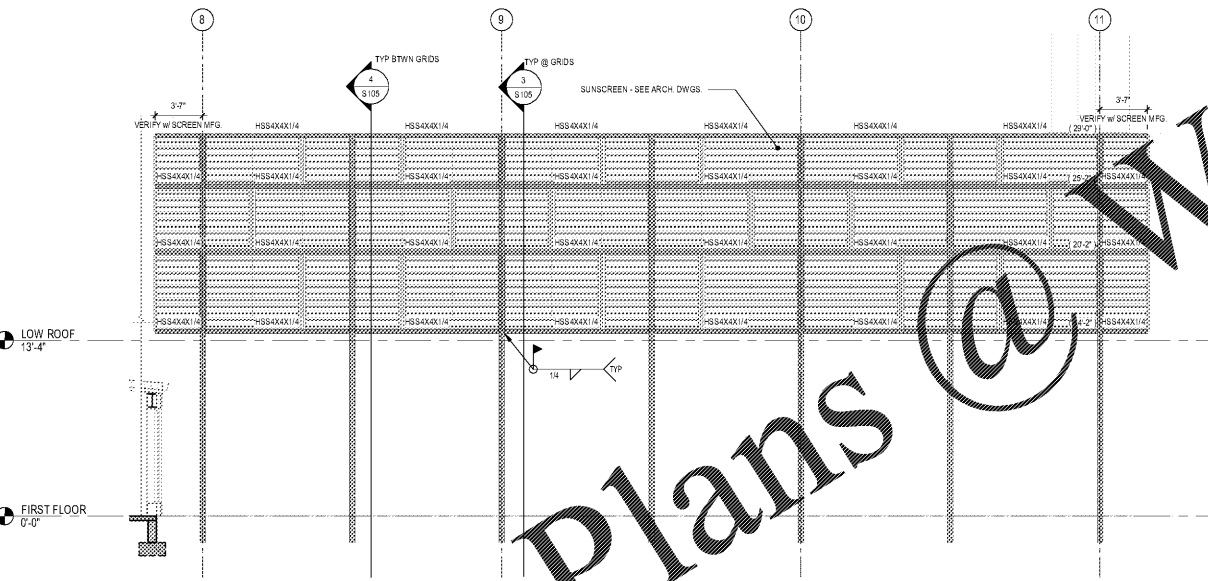
CN 7904-A



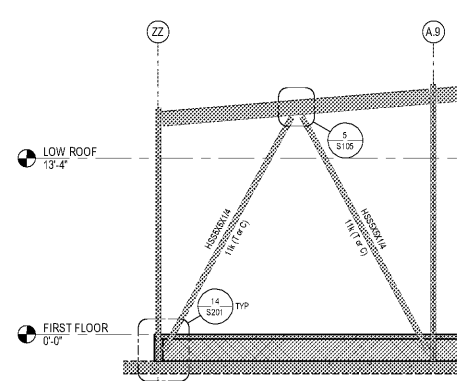
1 NORTH FRAMING ELEVATION
 S104 3/16" = 1'-0"



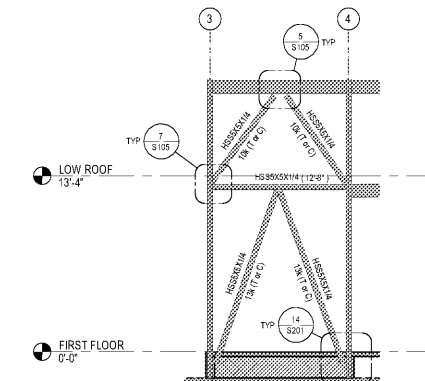
2 SOUTH FRAMING ELEVATION
 S104 3/16" = 1'-0"



3 SUNSCREEN FRAMING
 S104 3/16" = 1'-0"

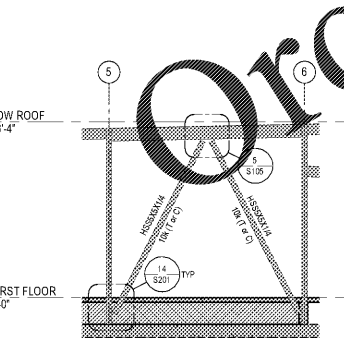


4 LATERAL BRACE A
 S104 3/16" = 1'-0"

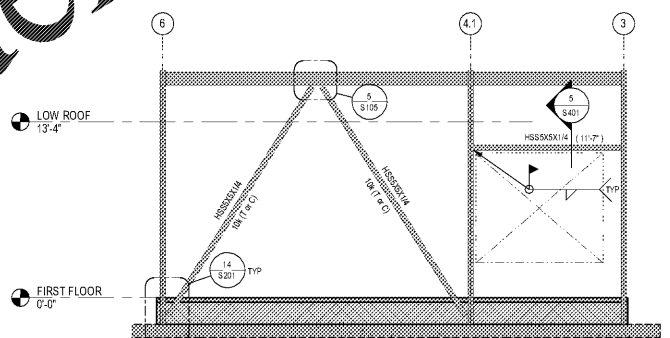


5 LATERAL BRACE B
 S104 3/16" = 1'-0"

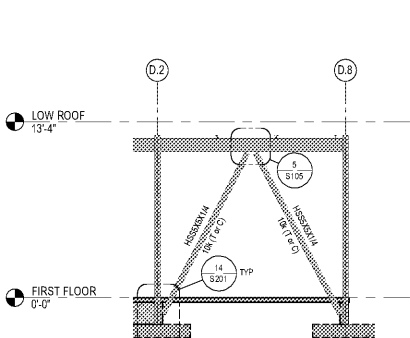
NOTE:
 FABRICATOR TO DESIGN BRACE FRAME
 CONNECTIONS FOR UNFACTORED (ASD) AXIAL
 FORCES SHOWN IN THE ELEVATION. TO BE
 DESIGNED BY A PROFESSIONAL ENGINEER
 REGISTERED IN THE STATE OF NORTH CAROLINA.



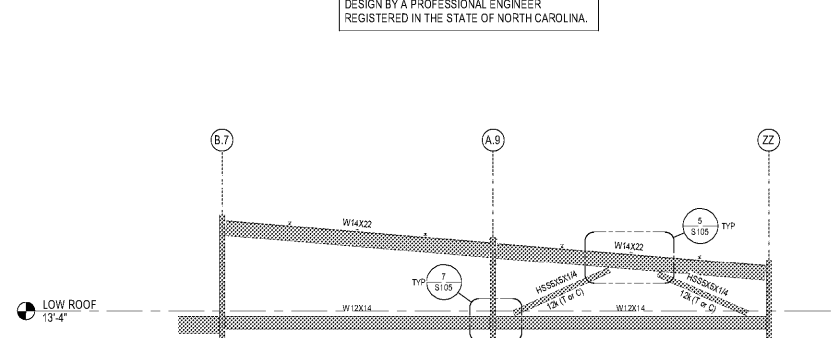
6 LATERAL BRACE C
 S104 3/16" = 1'-0"



7 LATERAL BRACE D
 S104 3/16" = 1'-0"



8 LATERAL BRACE E
 S104 3/16" = 1'-0"



9 LATERAL BRACE F
 S104 3/16" = 1'-0"

Order Plans @ WWW.LDILINE.COM

S:\Projects\18-18-16-44_288 252-0780\Drawings_Framing\S104_03/17/21/SS01_FRM_ELEVATION.dwg