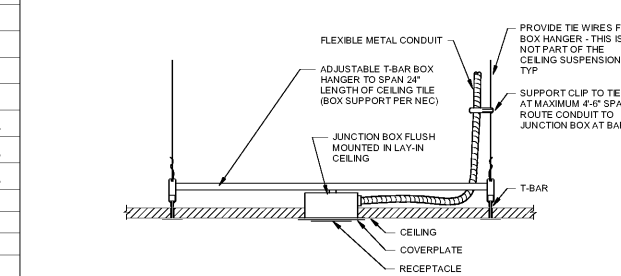


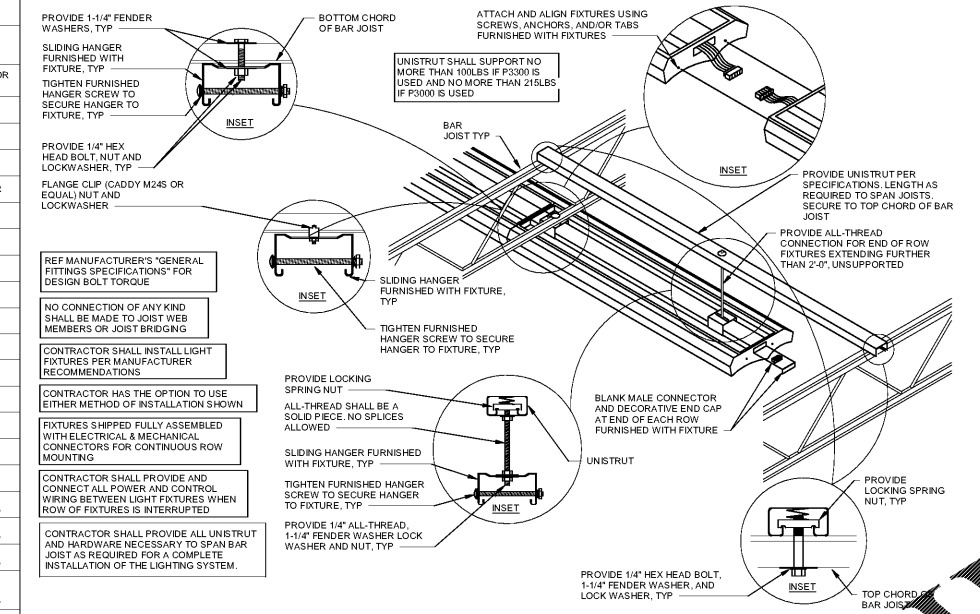
ELECTRICAL SYMBOLS LEGEND

SYMBOL	DESCRIPTION
□ ○ □ ○ □	LIGHT FIXTURE (WALL MOUNTED/CEILING MOUNTED)
○	LIGHT FIXTURE
□	LIGHT FIXTURE EMERGENCY LIGHT
□	VOLUMETRIC LIGHT FIXTURE
▽	TRACK LIGHTING
□ ⊕	EXIT FIXTURE (WALL MOUNTED/CEILING MOUNTED)
□ ⊕	EMERGENCY LIGHT (WALL MOUNTED/CEILING MOUNTED)
□ ⊕	EMERGENCY LIGHT REMOTE HEADS (WALL MOUNTED/CEILING MOUNTED)
⊔	SINGLE POLE SWITCH
⊔⊔	3-WAY SWITCH
⊔⊔⊔	4-WAY SWITCH
⊔K	KEYED SWITCH
⊔D	DIMMER SWITCH
⊔VS	VARIABLE SPEED SWITCH
⊔M	MANUAL MOTOR SWITCH
⊔S	SINGLE POLE OCCUPANCY SENSOR SWITCH
⊔S2	DOUBLE POLE OCCUPANCY SENSOR SWITCH
⊔CS	CEILING MOUNTED OCCUPANCY SENSOR SWITCH, FOUR-DIRECTION SENSING
⊔CS	WALL MOUNTED OCCUPANCY SENSOR SWITCH, ONE-DIRECTION SENSING
⊔	RECEPTACLE, DUPLEX
⊔	RECEPTACLE, DUPLEX, MOUNTED HORIZONTALLY
⊔	RECEPTACLE, GFI
⊔	RECEPTACLE, DUPLEX FLUSH FLOOR
⊔	RECEPTACLE, DUPLEX ISOLATED GROUND FLUSH FLOOR
⊔	RECEPTACLE, DOUBLE DUPLEX
⊔	RECEPTACLE, DUPLEX ISOLATED GROUND
⊔	RECEPTACLE, DOUBLE DUPLEX, ISOLATED GROUND
⊔	RECEPTACLE, SIMPLEX TWIST LOCK, LS-1SR, UNO
⊔	RECEPTACLE, SIMPLEX TWIST LOCK, ISOLATED GROUND, LS-1SR, UNO
⊔	RECEPTACLE, DUPLEX TWIST LOCK, LS-1SR, UNO
⊔	RECEPTACLE, DUPLEX TWIST LOCK, ISOLATED GROUND, LS-1SR, UNO
⊔	RECEPTACLE, SPECIAL
⊔	RECEPTACLE, SIMPLEX
⊔	RECEPTACLE, PLUG-MOLD
⊔	JUNCTION BOX (WALL MOUNTED/CEILING MOUNTED)
⊔	THERMOSTAT (WALL MOUNTED/CEILING MOUNTED)
⊔	ALARM JUNCTION BOX (WALL MOUNTED/CEILING MOUNTED)
⊔	ALARM JUNCTION BOX FOR REMOTE TEST/RESET (WALL MOUNTED/CEILING MOUNTED)
⊔	SMOKE DETECTOR
⊔	NON-FUSED DISCONNECT
⊔	FUSED DISCONNECT
⊔	EQUIPMENT CONNECTION POINT (PROVIDED WITH EQUIPMENT)
⊔	CIRCUIT CONCEALED IN WALLS OR CEILING, E INDICATES EXISTING WIRING
⊔	CIRCUIT CONCEALED IN SLAB FLOOR, E INDICATES EXISTING WIRING
⊔	CIRCUIT EXPOSED, E INDICATES EXISTING WIRING
⊔	LOW VOLTAGE WIRING
⊔	CONDUIT SLEEVE
⊔	FLUSH MOUNTED PANELBOARD
⊔	SURFACE MOUNTED PANELBOARD
⊔	TELEPHONE / DATA BOX FOR BSD
⊔	LOW VOLTAGE CABLE BOX FOR OTHER
⊔	TELEPHONE, FLUSH FLOOR
⊔	MOTOR
⊔	TELEPOWER POLE
⊔	PUSH BUTTON
⊔	BUZZER
⊔	SIGNAL SWITCH JUNCTION BOX
⊔	HORN / STROBE
⊔	DOOR HOLD OPEN
⊔	TIME CLOCK

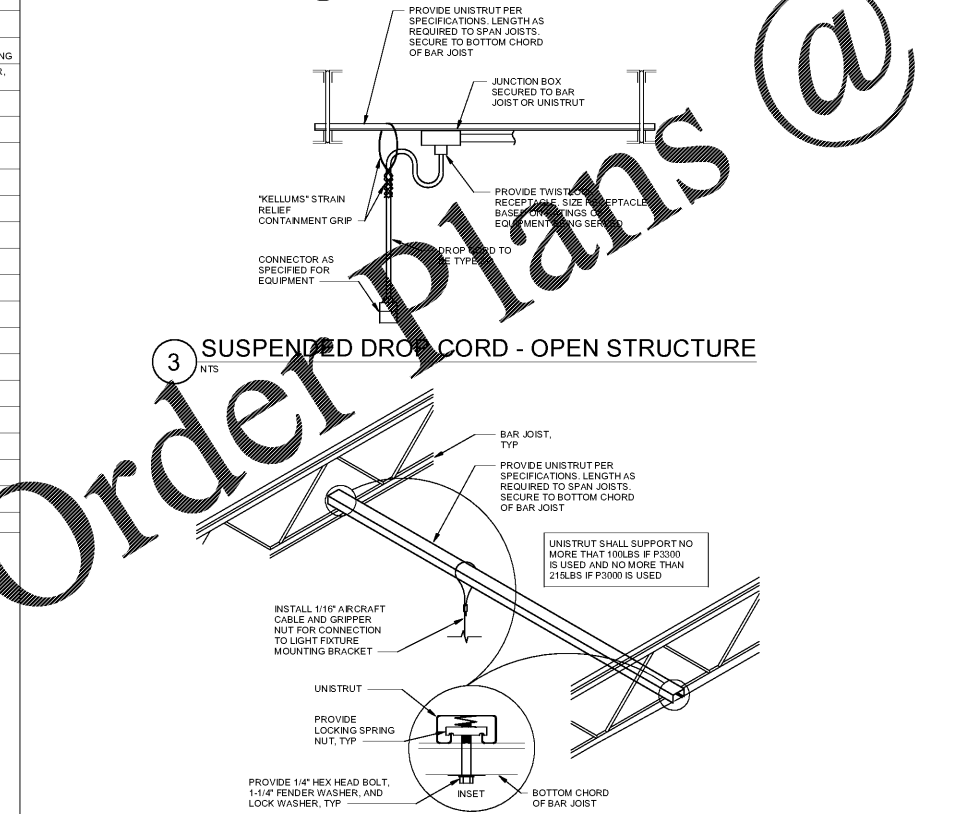
ABBREVIATIONS	
a, b, c	LOWER CASE LETTERS INDICATE SWITCHING CONFIGURATION
AF	ABOVE FINISHED FLOOR
AFG	ABOVE FINISHED GRADE
C	CIRCUIT
CC	CIRCUIT
CF	CASHIER
CW	CASHIER WORK AREA
EC	ELECTRICAL CONTRACTOR
EF	EXHAUST FAN
ET	EXISTING TO REMAIN
EWC	ELECTRIC WATER COOLER
GC	GENERAL CONTRACTOR
GFP	GROUND FAULT EQUIPMENT PROTECTION
GFI	GROUND FAULT CIRCUIT INTERRUPTER
HD	HAND DRYER
IG	ISOLATED GROUND
LCU	LIGHTING CONTROL UNIT
NL	NIGHT LIGHT
NTS	NOT TO SCALE
REC	REFRIGERATION ELECTRICAL CONTRACTOR
RC	REFRIGERATION CONTRACTOR
RH	RADIANT HEATER
SC	SECURITY CAMERA
T	TAMPER RESISTANT
TR	TYPICAL
UN	UNIT HEATER
UN	UNLESS NOTED OTHERWISE
WH	WATER HEATER
WP	WEATHER PROOF
WR	WEATHER RESISTANT



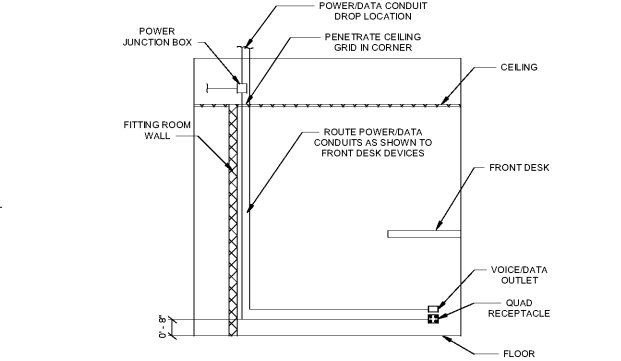
7 CEILING MOUNTED RECEPTACLE



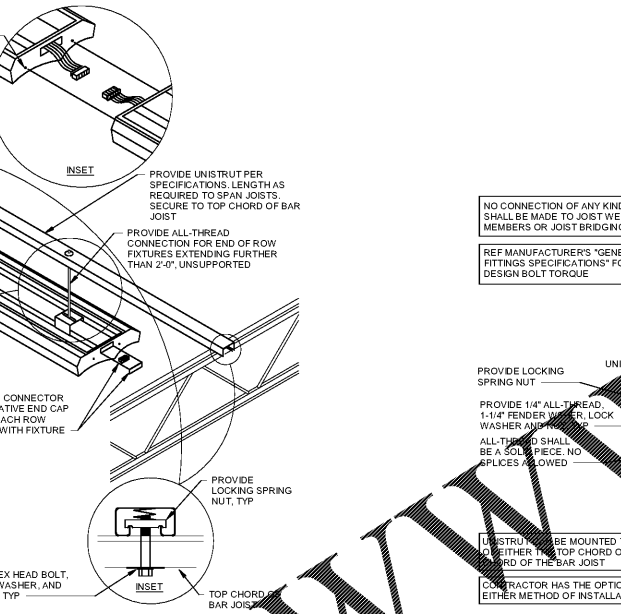
5 SALES FLOOR LIGHTING



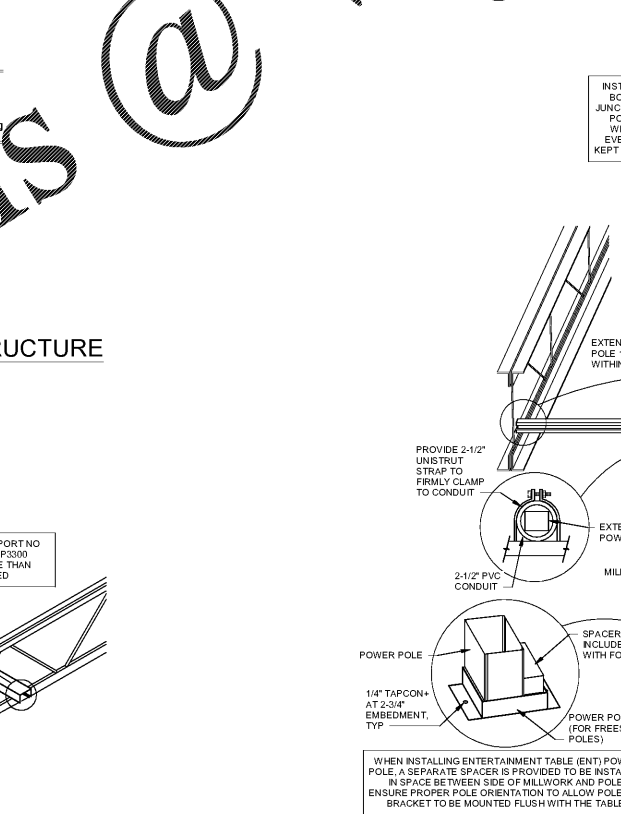
2 SUSPENDED LIGHTING CONNECTIONS TO STRUCTURE



6 FITTING ROOM ELEVATION



4 GENERAL ELECTRICAL CONNECTIONS TO STRUCTURE



1 POWER POLE CONNECTION

VOICE/DATA ROUGH-IN SCHEDULE

- 0.27.19
- DR** **ROUGH-IN NOTES:**
- ▼a FLUSH MOUNT JUNCTION BOX AT +20" (UNO) WITH (1) 3/4" CONDUIT STUBBED 12" ABOVE LAY-IN CEILING.
- ▼b FLUSH MOUNT JUNCTION BOX AT +20" (UNO) WITH (1) 3/4" CONDUIT ROUTED TO NEAREST ACCESSIBLE CEILING SPACE.
- ▼c SURFACE MOUNT JUNCTION BOX AT +66" (UNO) WITH (1) 3/4" CONDUIT STUBBED TO ACCESSIBLE CEILING SPACE.
- SCHEDULE GENERAL NOTES:**
- 1. ALL JUNCTION BOXES SHALL BE DOUBLE GANG WITH SINGLE GANG PLASTER RING UNLESS NOTED OTHERWISE ON SCHEDULE.
- 2. ALL JUNCTION BOXES TO BE ROUGHED IN AT SCHEDULED HEIGHT UNLESS NOTED OTHERWISE ON DRAWINGS.
- 3. ALL CONDUITS SHALL BE TERMINATED WITH BUSHINGS.
- 4. PROVIDE PULL WIRE WITH EACH EMPTY RACEWAY (JUNCTION BOX/CONDUIT) INSTALLED.
- 5. CONDUIT RUNS SHALL HAVE NO MORE THAN 90 DEGREES OF TRANSITION BETWEEN PULL BOXES.
- 6. WHERE CONDUIT(S) TRAVERSE AREAS WITH CEILINGS OPEN TO STRUCTURE, CONDUIT(S) SHALL BE CONCEALED AS WELL AS POSSIBLE FROM VIEW FROM CUSTOMER AREA.
- 7. FOR CONDUIT RUNS SCHEDULED WITH 1-1/2" OR LARGER CONDUIT UTILIZE LARGE RADIUS SWEEPS AT POINTS OF TRANSITION.
- 8. ACCESSIBLE CEILING SPACE SHALL BE CONSIDERED 12 INCHES ABOVE A LAY-IN CEILING OR ABOVE BAR JOIST ACCESSIBLE BY A SCISSOR LIFT FOR AREAS OPEN TO STRUCTURE.

GENERAL NOTES

- 1. FURNISH AND INSTALL ALL MATERIALS, EQUIPMENT AND LABOR FOR A COMPLETE INSTALLATION IN ALL RESPECTS. READY FOR INTENDED USE AND IN STRICT ACCORDANCE WITH NEC, NESC, STATE, AND LOCAL CODES, AND MANUFACTURER'S RECOMMENDATIONS. PAY ALL NECESSARY FEES AND PERMITS.
 - A. NO CIRCUITRY SHALL BE ALLOWED TO BE ROUTED ACROSS THE ROOF OR THE EXTERIOR SIDE OF THE EXTERIOR WALLS.
 - B. ALL EQUIPMENT SHALL BE UL LISTED WHERE APPLICABLE.
 - C. ARRANGE ALL WORK TO MINIMIZE DISRUPTIONS TO STORE OPERATIONS. COORDINATE ALL DISRUPTIONS WITH WALMART CONSTRUCTION MANAGERS AND STORE MANAGER.
 - D. CONTRACTOR SHALL VERIFY ALL WALL FINISH THICKNESS BEFORE INSTALLING BOXES. FURNISH AND INSTALL EXTENDED BOXES OR BOX EXTENDERS WHERE REQUIRED.
 - E. CONTRACTOR SHALL VERIFY THAT ALL AFFECTED PANELBOARDS HAVE CIRCUIT BREAKER KNOCKOUTS PROPERLY COVERED AND THAT ALL TRIM IS IN GOOD CONDITION, ALLOWING NO ACCESS TO LIVE PARTS.
- 2. PROVIDE SEALS AT RACEWAY PENETRATIONS AS FOLLOWS:
 - A. FIRE RATED WALLS: SEAL PER SPECIFICATIONS FOR FIRE STOPPING.
 - B. NEUTRALIZATION AREA: SEAL PER MECHANICAL DETAIL.
 - C. FREEZER/COOLER BOXES: SEAL WITH EXPANDING FOAM SEALANT.
 - D. EXTERIOR: REFER TO ARCHITECTURAL DOCUMENTS FOR SEALING REQUIREMENTS AT EXTERIOR MOUNTED DEVICES. FIXTURES, ENCLOSURES, AND RACEWAY PENETRATIONS.
- 3. PROVIDE A SEPARATE ELEMENT OF GROUNDING CONDUCTOR (SIZE SPECIFIED IN PLAN) TYPE CONDUIT POWER AND LIGHTING CIRCUITS. PROVIDE GROUND CIRCUITRY AS SHOWN ON PLANS. CONDUIT SHALL BE COLORED GREEN AND IDENTIFIED WITH APPROVED SINGLE CONDUIT MARKING. PLUS THE EQUIPMENT GROUNDING CONDUCTOR.
- 4. IN STORE OFFICES: DEVICE MOUNTING HEIGHTS ARE FROM FINISHED CENTER OF OUTLET BOX UNLESS NOTED OTHERWISE ON PLANS. COORDINATE THE STANDARD MOUNTING HEIGHTS WITH MASONRY:
 - A. SWITCHES +44"
 - B. RECEPTACLES +20"
 - C. VOICE/DATA +20"
- 5. WIRING SHALL INCLUDE FINAL CONNECTION TO ALL EQUIPMENT IN CONFORMANCE WITH EQUIPMENT SUPPLIER WIRING DIAGRAMS.
- 6. CONTRACTOR IS RESPONSIBLE FOR PROVIDING AN UPDATED AND COMPLETE TYPEWRITTEN CIRCUIT IDENTIFICATION SCHEDULE FOR EVERY PANELBOARD AFFECTED BY THIS PROJECT.
- 7. NEW OVERCURRENT PROTECTIVE DEVICES INSTALLED IN EXISTING PANELBOARDS OR DISTRIBUTION BOARDS SHALL MATCH THE TYPE AND RATING OF EXISTING OVERCURRENT PROTECTIVE DEVICES.
- 8. BRANCH CIRCUIT CONDUCTORS SHALL BE MINIMUM #12 AWG UNLESS NOTED OTHERWISE IN SCHEDULES. WHERE 20A BRANCH CIRCUITS HAVE #8 AND LARGER WIRE SPECIFIED, #10 AWG WIRE SHALL BE USED FOR THE FINAL CONNECTION (15-FT MAXIMUM).
- 9. WHERE BRANCH CIRCUITS ARE GROUPED, SIZE CONDUIT AND DERATE CURRENT CARRYING CAPACITY TO MEET REQUIREMENTS.
- 10. PROVIDE UL LISTED HANDLE TIES ON ALL MULTIWIRE BRANCH CIRCUITS PER NEC REQUIREMENTS.
- 11. SUPPORTS FROM STRUCTURE: NO ATTACHMENT OF ANY TYPE SHALL BE MADE TO BRIDGING OR JOIST WEB MEMBERS. UTILIZE ONLY THE TOP AND BOTTOM CHORDS FOR SUPPORTING THE ELECTRICAL SYSTEM INSTALLATIONS.
- 12. DEVICES SHOWN ON COOLER/FREEZER PANELS SHALL BE SURFACE MOUNTED UNLESS NOTED OTHERWISE. SEAL DEVICES TO COOLER/FREEZER PANELS WITH SILICONE SEALANT.
- 13. SURFACE MOUNTED CONDUIT ON COOLER/FREEZER PANELS OR IN FOOD PREP AREAS SHALL BE INSTALLED WITH GALVANIZED 1/2" STANDOFF CONDUIT HANGERS TO ALLOW FOR CLEANING.
- 14. ONLY FEEDER CIRCUITS NOTED ON THE ONE LINE DIAGRAM AND BRANCH CIRCUITS NOTED BY LEGENDS SHALL BE INSTALLED UNDER SLAB. PROVIDE EXTERIOR COATED GRC BENDS ON ALL CONDUIT RUNS THAT HAVE 45 DEGREE BENDS OR GREATER. REFER TO SPECIFICATION SECTION 16.02 FOR UNLESS ELSE.
- 15. SEISMIC ZONE REQUIREMENTS: PROVIDE EXPANSION COUPLINGS AND BRACING FOR ELECTRICAL EQUIPMENT AS REQUIRED BY LOCAL CODES.
- 16. EXISTING ELECTRICAL AND ALARM:
 - A. WHERE DEMOLITION OR NEW CONSTRUCTION INTERRUPTS EXISTING ELECTRICAL CIRCUITS OR EXISTING EQUIPMENT, DEVICES OR LIGHTING TO REMAIN, BUT NOT SHOWN ON DRAWINGS, PROVIDE LABOR AND MATERIALS TO REWORK CIRCUITRY AS REQUIRED, TO MAINTAIN EXISTING OPERATION.
 - B. IF DEMOLITION OR NEW CONSTRUCTION WILL DISRUPT EXISTING UNDERGROUND SERVICES (ELECTRICAL, TELEPHONE, PARKING LOT LIGHTING CIRCUITRY, ETC.) PROVIDE ALL MATERIALS AND LABOR AS REQUIRED TO REMOVE, SLEEVE, OR OTHERWISE REWORK THESE SERVICES TO MAINTAIN THEIR EXISTING OPERATION.
 - C. EXERCISE CAUTION AROUND ALARM AND SECURITY CABLES DURING DEMOLITION AND CONSTRUCTION. PROTECT ALARM AND SECURITY CABLES FROM ACCIDENTAL DAMAGE SO THAT SYSTEMS REMAIN OPERATIONAL AT ALL TIMES.
 - D. DISPOSE OF ALL REMOVED MATERIALS, UNLESS OTHERWISE NOTED.
- 17. EXISTING ELECTRICAL DEMOLITION:
 - A. GENERAL: REMOVE OR RELOCATE EXISTING ELECTRICAL EQUIPMENT, CONDUIT AND CONDUCTORS AS INDICATED ON THE DRAWINGS, OR ONLY AS REQUIRED BY DEMOLITION. REMOVE ALL PANELBOARDS, DISCONNECT SWITCHES, BOXES, RELAYS, TIME SWITCHES, LIGHTS, DEVICES, ETC., WHICH WILL NOT BE REUSED.
 - B. SALES FLOOR: REMOVE UNUSED POWER DROP CONDUIT, CONDUCTORS AND RELATED DEVICES SERVING SALES AREA CONDOLAS BEING RELOCATED OR REMOVED. EXISTING CONDUIT AND CONDUCTORS MAY BE REUSED FOR NEW POWER DROPS WHERE SIZE, RATING, AND CONDITION MEET REQUIREMENTS INDICATED ON PLANS AND ALL UL RATINGS. REMOVE ALL UNUSED CONDUIT AND CONDUCTORS BACK TO POINT OF ORIGIN WHENEVER FEASIBLE. IF CIRCUIT IS NOT REUSED, REMOVE CIRCUIT BREAKER AND REPLACE WITH FILLER PLATE, EXCEPTION: DISTRIBUTION AND POWER SWITCH BREAKERS SHALL BE ETR AS "SPARE". PROVIDE HANDLE LOCK OFF DEVICE TO LOCK "SPARE" CIRCUIT BREAKER IN THE "OFF" POSITION. UPDATE TYPEWRITTEN CIRCUIT IDENTIFICATION SCHEDULE AS "SPACE" OR "SPARE".
 - C. CONDUIT AND WIRING TO BE ABANDONED IN CEILING SPACES AND OTHER NON-PUBLIC AREAS (I.E. THROUGH STOCKROOM AREA): CUT WIRING LOOSE AND REMOVE FROM RACEWAYS). LEAVING RACEWAY(S) IN PLACE. CONDUIT TO BE ABANDONED IN WALLS OR FLOORS SHALL BE REMOVED BACK TO FINISHED SURFACE AND CAPPED INSIDE. REPAIR SURFACE(S) TO MATCH ADJACENT.
 - D. ALL CIRCUIT BREAKERS SERVING BRANCH CIRCUITS TO BE REMOVED SHALL ALSO BE REMOVED. REMOVE CIRCUIT BREAKER AND REPLACE WITH FILLER PLATE. EXCEPTION: DISTRIBUTION AND POWER SWITCH BREAKERS SHALL BE ETR AS "SPARE". PROVIDE HANDLE LOCK OFF DEVICE TO LOCK "SPARE" CIRCUIT BREAKER IN THE "OFF" POSITION. UPDATE TYPEWRITTEN CIRCUIT IDENTIFICATION SCHEDULE AS "SPACE" OR "SPARE".
 - E. DEMOLISHED FLUORESCENT LIGHT FIXTURES: REFER TO SELECTIVE SITE DEMOLITION SPECIFICATION FOR DISPOSAL OF LIGHT FIXTURE.
 - F. BUILDING COMPONENTS ABANDONED BY THE SCOPE OF WORK SHALL BE SECURED TO PREVENT FALLING, LOOSENING, OR CREATING DAMAGE OF ANY KIND IN THE FUTURE.
- 18. DATA AND PHONE CONDUIT INSTALLATION MILESTONE DATE: ALL RACEWAY AND CONDUIT SLEEVES FOR DATA AND PHONE CABLES TO BE INSTALLED 3 WEEKS PRIOR TO CONTRACT SUBSTANTIAL COMPLETION DATE.
- 19. ETHERNET CABLE:
 - A. FURNISH AND INSTALL JUNCTION BOXES AS SHOWN ON PLANS. PROVIDE CONDUIT AS REQUIRED BY LOCAL CODES AND/OR ORDINANCES.
 - B. ETHERNET CABLE IS FURNISHED BY OTHERS.
 - C. ELECTRICAL CONTRACTOR SHALL INSTALL CABLE IN POWER POLES.
 - D. ELECTRICAL CONTRACTOR SHALL INSTALL OTHER CABLE AS DIRECTED BY WALMART CONSTRUCTION MANAGER.
- 20. EACH SUBCONTRACTOR IS RESPONSIBLE FOR HAVING SUFFICIENT KNOWLEDGE OF ALL DRAWINGS AND SPECIFICATIONS IN THEIR RELATED FIELD. THE FAILURE TO ACQUAINT THEMSELVES WITH THIS KNOWLEDGE DOES NOT RELIEVE THE RESPONSIBILITY OF THE CONTRACTOR. CONTRACTOR SHALL CAREFULLY COORDINATE NEW WORK AND DEMOLITION WITH ALL OTHER DISCIPLINES AND EXISTING CONDITIONS. EACH SUBCONTRACTOR IS RESPONSIBLE FOR HAVING SUFFICIENT KNOWLEDGE OF ALL DRAWINGS AND SPECIFICATIONS IN THEIR RELATED FIELD. THE FAILURE TO ACQUAINT THEMSELVES WITH THIS KNOWLEDGE DOES NOT RELIEVE THE RESPONSIBILITY OF THE CONTRACTOR. CONTRACTOR SHALL CAREFULLY COORDINATE NEW WORK AND DEMOLITION WITH ALL OTHER DISCIPLINES AND EXISTING CONDITIONS.

STIPULATION FOR REUSE
THIS DRAWING AND ANY INFORMATION CONTAINED HEREIN ARE THE PROPERTY OF WALTLINE CORPORATION. IT IS TO BE USED ONLY FOR THE PROJECT AND SITE SPECIFICALLY IDENTIFIED HEREIN. IT IS NOT TO BE REPRODUCED, COPIED, REPIRODUCED, COPIED, OR REPIRODUCED FOR ANY OTHER PROJECT OR SITE WITHOUT THE WRITTEN PERMISSION OF WALTLINE CORPORATION. THE USER OF THIS DRAWING AGREES TO HOLD WALTLINE CORPORATION HARMLESS FROM AND AGAINST ALL CLAIMS, DAMAGES, LOSSES AND EXPENSES, INCLUDING REASONABLE ATTORNEY'S FEES, INCURRED BY WALTLINE CORPORATION AS A RESULT OF THE REUSE OF THIS DRAWING FOR ANY OTHER PROJECT OR SITE.

CONSULTANTS
HENDERSON ENGINEERS
6045 LEBLANCHE SUITE 100
PRATTVILLE, AL 36071
TEL: (334) 782-9200 FAX: (334) 782-0001
WWW.HENDERSONENGINEERS.COM
AL. LICENSED PROFESSIONAL ENGINEER NO. 17082
AL. LICENSED PROFESSIONAL ENGINEER NO. 101622

2021 MAJOR PROJECT
JOB NUMBER: 21B00045
21B00045-249
STORE NO. 00485-249
21B00045
PRATTVILLE, AL
1803 COBBS FORD ROAD
Walmart
2021 MAJOR PROJECT

ISSUE BLOCK	

CHECKED BY: MM
DRAWN BY: SBHDP
PROTO CYCLE: 01/29/21
DOCUMENT DATE: 03/31/21

No. 39418-E
Professional Engineer
AL. License No. 17082
Waltline Corporation
1803 Cobbs Ford Road
Prattville, AL 36071
334-782-9200
334-782-0001
www.waltline.com
03/30/2021

ELECTRICAL DETAILS
SHEET: E3