

Order Plans @ www.LDILine.com

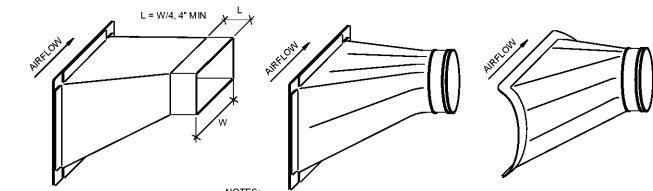
MECHANICAL SYMBOLS	
	RECTANGULAR DUCT 18" WIDE BY 12" DEEP
	12" DIAMETER ROUND DUCT
	SUPPLY DUCT IN SECTION
	RETURN OR EXHAUST DUCT IN SECTION
	ELBOW WITH TURNING VANES
	TEE WITH TURNING VANES
	ROUND (OR OVAL) ELBOW
	VOLUME BALANCE DAMPER
	SUPPLY AIR DIFFUSER WITH ROUND SUPPLY DUCT
	RETURN OR EXHAUST AIR DIFFUSER WITH ROUND DUCT
	BRANCH DUCT AND/OR NECK SIZE DIFFUSER OR GRILLE TYPE CFM
	THERMOSTAT
	TIMER
	TEMP SENSOR
	CONNECT TO EXISTING
	EXISTING TO REMAIN
	FIRE DAMPER

CONSULTANTS
HENDERSON ENGINEERS
 6845 LEUKALAN DRIVE, SUITE 300
 TEL: 913.742.2900 FAX: 913.742.0001
 WWW.HENDERSONENGINEERS.COM
 1803 COBBS FORD ROAD, SUITE 200
 ALCOCK, MISSOURI 64002
 AL. EXP. 08/31/2022

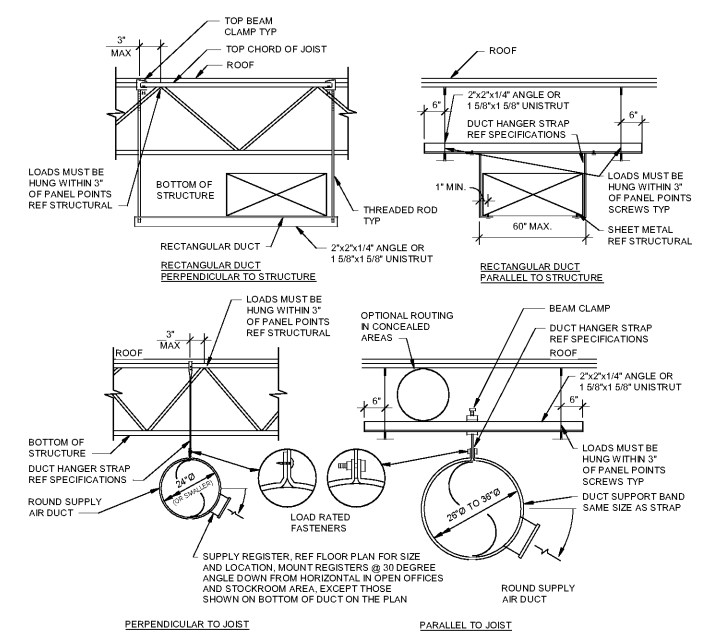
Walmart
PRATTVILLE, AL
 1803 COBBS FORD ROAD
 STORE NO. 0485-249
 218000483 | PHOTO: 188
 2021 MAJOR PROJECT

ISSUE BLOCK	

CHECKED BY: AI
 DRAWN BY: TNJ
 PROTO CYCLE: 01/29/21
 DOCUMENT DATE: 03/31/21



2 HIGH EFFICIENCY BRANCH DUCT FITTING
 NTS



1 DUCT SUPPORT AND GRILLE
 12" = 1'-0"



03/30/2021
MECHANICAL DETAILS
 SHEET: **M2**