

**SHEET NOTES**

1. REF N1 FOR FINISH KEY
2. USE CONTINUOUS SEALANT WHERE NEW COUNTER TOPS AND CASEWORK MEET WALL OR OTHER OBSTACLES.
3. USE CONTINUOUS SEALANT AT TOP, BOTTOM AND SIDES WHERE BASE IS PRESENT ON NEW COUNTERS AND CASEWORK.
4. WHERE NEW LAMINATE IS INDICATED FOR EXISTING CASEWORK, REMOVE EXISTING LAMINATE AND/OR FINISHES TO BASE SUBSTRATE PRIOR TO INSTALLATION OF NEW. INSTALLATION OF NEW LAMINATE OVER EXISTING IS NOT ACCEPTABLE. NO EXCEPTIONS.
5. INSTALL ALUMINUM CORNER GUARDS AT ALL EXPOSED MILLWORK CORNERS. REF SPECIFICATIONS.
6. FOR STAINLESS STEEL COUNTERTOPS, REFURBISH TO LIKE NEW CONDITION.

**SSA Design Group, P.C.**  
1437 South Boulder, Suite 550  
Tulsa, Oklahoma 74116  
T: 918.587.8800  
F: 918.587.8001  
www.ssadesigngroup.com

**STIPULATION FOR REUSE**  
THIS DRAWING AND ALL INFORMATION CONTAINED HEREIN ARE THE PROPERTY OF SSA DESIGN GROUP. IT IS TO BE USED ONLY FOR THE PROJECT AND SITE SPECIFICALLY IDENTIFIED HEREIN. IT IS NOT TO BE REPRODUCED, COPIED, OR TRANSMITTED IN ANY FORM OR BY ANY MEANS, ELECTRONIC OR MECHANICAL, INCLUDING PHOTOCOPYING, RECORDING, OR BY ANY INFORMATION STORAGE AND RETRIEVAL SYSTEM, WITHOUT THE WRITTEN PERMISSION OF SSA DESIGN GROUP. ANY UNAUTHORIZED REUSE OR MODIFICATION OF THIS DRAWING IS STRICTLY PROHIBITED AND WILL BE CONSIDERED A VIOLATION OF THE TERMS AND CONDITIONS OF THE CONTRACT TO WHICH THIS DRAWING IS ATTACHED.

**CONSULTANTS**

**Walmart**  
PRATTVILLE, AL  
1903 COBBES FORD RD  
STORE NO. 0465-249  
2084898 | PHOTO  
2021 MAJOR PROJECT

**ISSUE BLOCK**

NO.	DESCRIPTION	DATE

CHECKED BY: AT/RC/RA/MT  
DRAWN BY: AR  
PROTO CYCLE: 01/29/21  
DOCUMENT DATE: 03/31/21

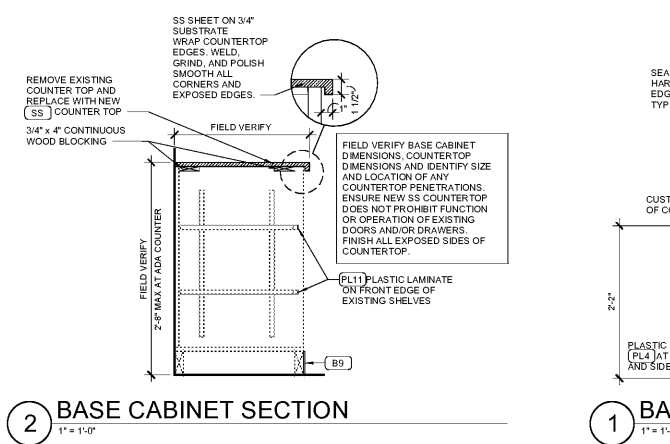
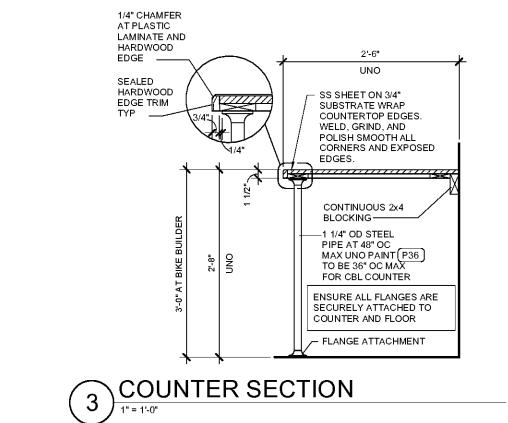
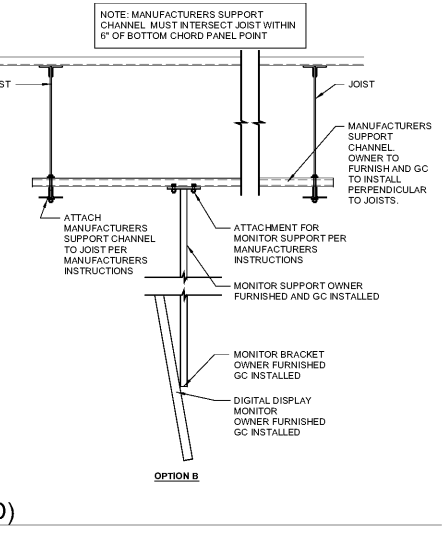
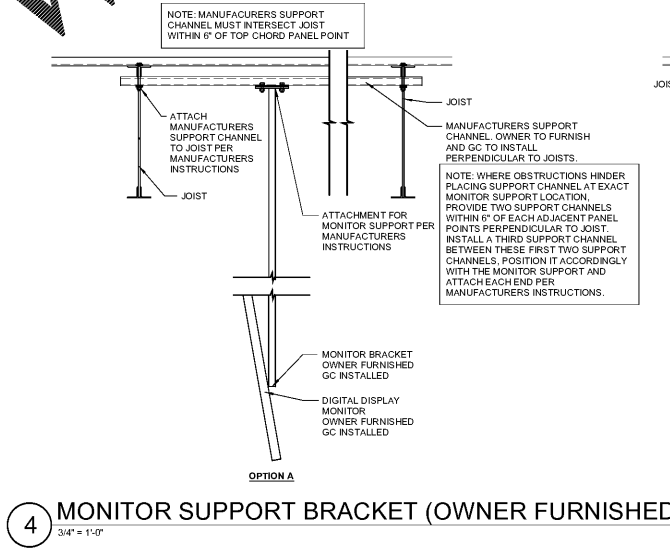
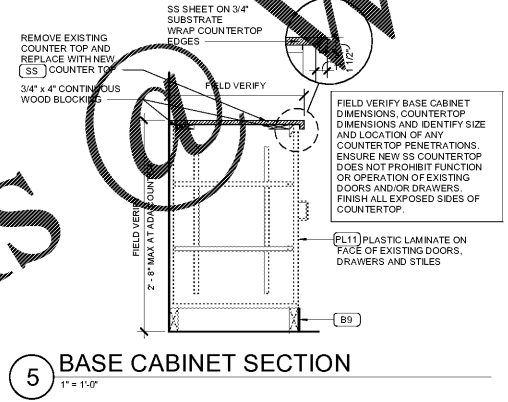
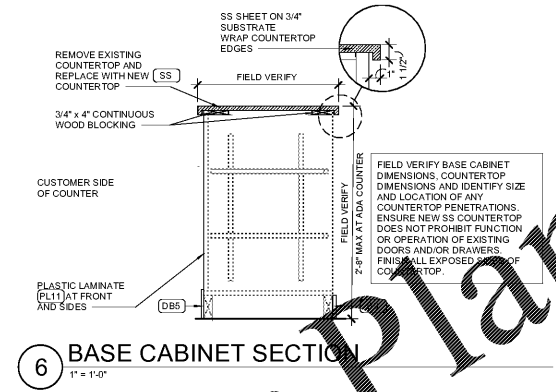
THE RECORD COPY OF THIS DRAWING IS ON FILE AT THE OFFICES OF SSA DESIGN GROUP. THIS ELECTRONIC DOCUMENT IS RELEASED FOR THE PURPOSE OF REFERENCE, COORDINATION AND/OR FACILITY MANAGEMENT. THIS DRAWING SHALL NOT BE CONSIDERED FINAL OR COMPLETE UNLESS IT IS SIGNED AND SEALED BY THE PROJECT.

STATE OF ALABAMA  
ARIANE V. TATTERSHALL  
2016  
Professional Seal  
03/31/2021

**CASEWORK**

SHEET: **A9**

www.LDILine.com



Order Plans