

Digitally signed by Ali...

KEYNOTES

10.33 2"x2" HIGH IMPACT CORNER TRIM

SGA Design Group, P.C.
1437 South Boulder, Suite 550
Louis, Colorado 80503
t 303.837.8800
f 303.837.8901
www.sgadesigngroup.com

STIPULATION FOR REUSE
THIS DRAWING IS THE PROPERTY OF SGA DESIGN GROUP. IT IS TO BE USED ONLY FOR THE PROJECT AND SITE SPECIFICALLY IDENTIFIED HEREON. ANY REUSE OF THIS DRAWING FOR ANY OTHER PROJECT OR SITE WITHOUT THE WRITTEN PERMISSION OF SGA DESIGN GROUP IS PROHIBITED. THIS DRAWING IS TO BE USED AS IS. SGA DESIGN GROUP MAKES NO WARRANTY, REPRESENTATION OR GUARANTEE, EXPRESS OR IMPLIED, FOR THE ACCURACY, COMPLETENESS OR SUITABILITY OF THIS DRAWING. ANY REUSE OF THIS DRAWING WITHOUT THE WRITTEN PERMISSION OF SGA DESIGN GROUP SHALL BE AT THE USER'S SOLE RISK AND WITHOUT LIABILITY TO SGA DESIGN GROUP.

CONSULTANTS

Walmart
PRATTVILLE, AL
1903 COBBES FORD RD
STORE NO. 0463-249
JOB NUMBER: 2084898 | PHOTO: 188

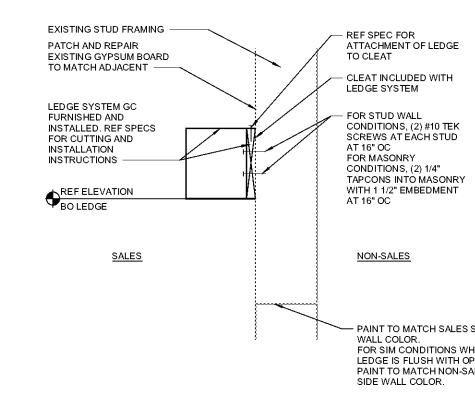
2021 MAJOR PROJECT

ISSUE BLOCK	

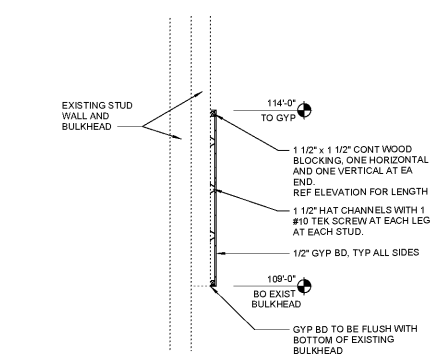
CHECKED BY: T/RO/AMVT
DRAWN BY: AR
PROTO CYCLE: 12/04/20
DOCUMENT DATE: 03/31/21

THE RECORD COPY OF THIS DRAWING IS TO BE FILED AT THE OFFICES OF SGA DESIGN GROUP. THIS ELECTRONIC DOCUMENT IS RELEASED FOR THE PURPOSE OF REFERENCE, COORDINATION, AND/OR FACILITY MANAGEMENT. THIS DRAWING SHALL NOT BE CONSIDERED FINAL OR COMPLETE UNLESS IT IS SIGNED AND SEALED BY THE ARCHITECT.

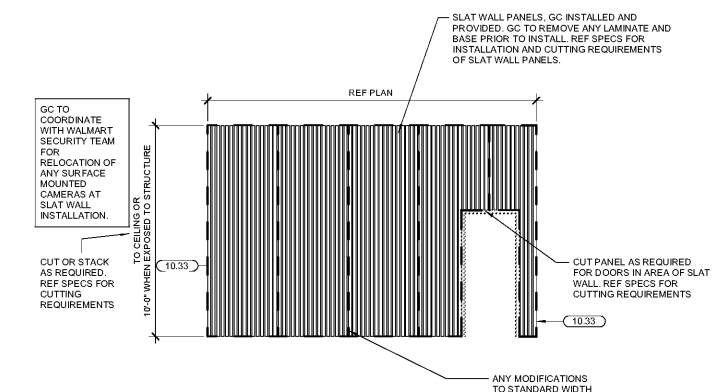
Order Plans @ www.LDILine.com



3 LEDGE DETAIL
1/2" = 1'-0"



12 SECTION AT FURRING
1/2" = 1'-0"



1 VESTIBULE SLAT WALL ELEVATION
1/4" = 1'-0"

STATE OF ALABAMA
ARIANE V. TATTERSHALL
8016
Ariane V. Tattershall
03/31/2021

INTERIOR
WALL
SECTIONS,
ELEVATIONS,
AND DETAILS

SHEET:
A6.2

12/10/2020 10:10:10 AM
C:\Users\LDI\OneDrive\Documents\2021\proj\prattville\AL\DWG_A6_02_Furniture.dwg