

1. REF N1 FOR FINISH KEY

SGA Design Group, P.C.
 1437 South Boulder, Suite 550
 Littleton, Colorado 80120
 T: 303.973.8800
 F: 303.973.8901
 www.sgadesigngroup.com

STIPULATION FOR REUSE
 THIS DRAWING IS THE PROPERTY OF SGA DESIGN GROUP. IT IS TO BE USED ONLY FOR THE PROJECT AND SITE SPECIFICALLY IDENTIFIED HEREIN. IT IS NOT TO BE REPRODUCED, COPIED, REUSED, OR TRANSMITTED IN ANY FORM OR BY ANY MEANS, ELECTRONIC OR MECHANICAL, INCLUDING PHOTOCOPYING, RECORDING, OR BY ANY INFORMATION STORAGE AND RETRIEVAL SYSTEM, WITHOUT THE WRITTEN PERMISSION OF SGA DESIGN GROUP.

CONSULTANTS

Walmart
 PRATTVILLE, AL
 1903 COBBES FORD RD
 STORE NO. 0465-0465
 JOB NUMBER: 2021090881 PHOTO

ISSUE BLOCK

NO.	DESCRIPTION	DATE

CHECKED BY: **ATIR/COMVMT**
 DRAWN BY: **AR**
 PROTO CYCLE: 12/04/20
 DOCUMENT DATE: 03/31/21

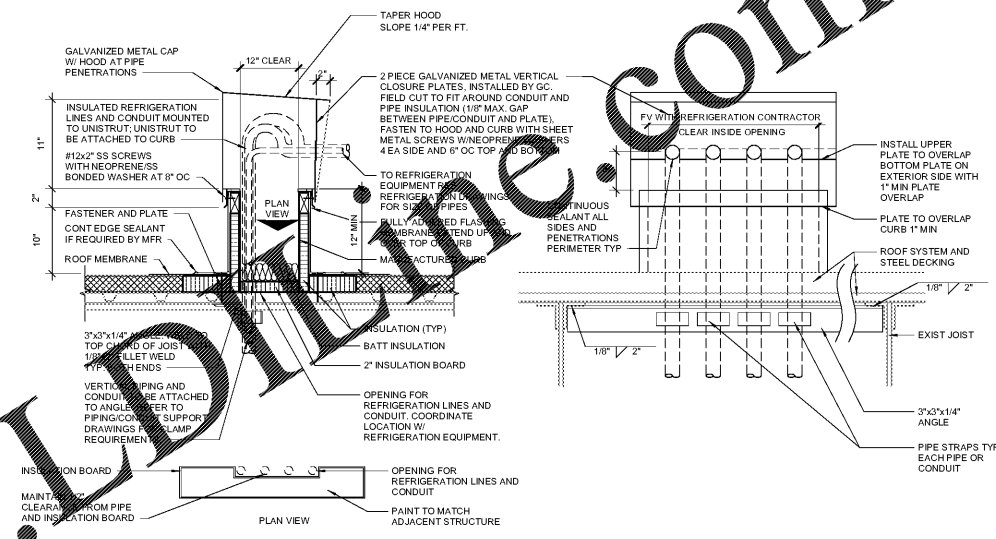
THE RECORD COPY OF THIS DRAWING IS TO BE KEPT AT THE OFFICE OF SGA DESIGN GROUP. THIS ELECTRONIC DOCUMENT IS RELEASED FOR THE PURPOSE OF REFERENCE, COORDINATION, AND/OR FACILITY MANAGEMENT. THIS DRAWING SHALL NOT BE COPIED, REPRODUCED, OR TRANSMITTED IN ANY FORM OR BY ANY MEANS, ELECTRONIC OR MECHANICAL, INCLUDING PHOTOCOPYING, RECORDING, OR BY ANY INFORMATION STORAGE AND RETRIEVAL SYSTEM, WITHOUT THE WRITTEN PERMISSION OF SGA DESIGN GROUP.

STATE OF ALABAMA
 ARCHITECT
 ARIANE V. TATTERSHALL
 8016
 03/31/2021

SECTIONS AND DETAILS

SHEET: **A3**

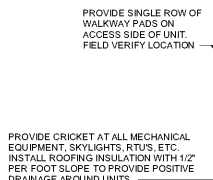
INSTALLATION NOTES:
 1. THE ROOF PENETRATION CURB, HOOD AND CLOSURE PLATES ARE FURNISHED BY OWNER AND INSTALLED BY GENERAL CONTRACTOR
 2. ALL HOOD PENETRATIONS SHALL BE THROUGH THE VERTICAL CLOSURE PLATES ONLY. PIPING AND CONDUIT SHALL BE INSTALLED BY THE TRADE CONTRACTORS WITH THE PIPE AND CONDUIT CENTERLINES 3" ABOVE THE TOP OF THE ROOF CURB WITH A MINIMUM OF 1" BETWEEN THE PIPE AND CONDUIT EXTERNAL SURFACE
 3. THE GENERAL CONTRACTOR SHALL CUT AND INSTALL THE VERTICAL CLOSURE PLATES AFTER ALL PIPING AND CONDUITS ARE INSTALLED AND SEAL ALL PENETRATIONS AS NOTED IN THE DETAIL AND PROVIDE CONTINUOUS SEALANT AT THE PERIMETER JOINT BETWEEN THE CLOSURE PLATES AND HOOD AND CURB AND WHERE THE CLOSURE PLATES OVERLAP. REF SEALANT SPECIFICATION. EXPANDING FOAM SEALANT SHALL NOT BE USED WHERE SEALANT IS EXPOSED TO THE EXTERIOR. REF SEALANT SPECIFICATION.
 4. EXTEND EXTERIOR REFRIGERANT AND WATER LINE EXTERNAL PVC INSULATION JACKET 1" INSIDE HOOD METAL CLOSURE PLATES.



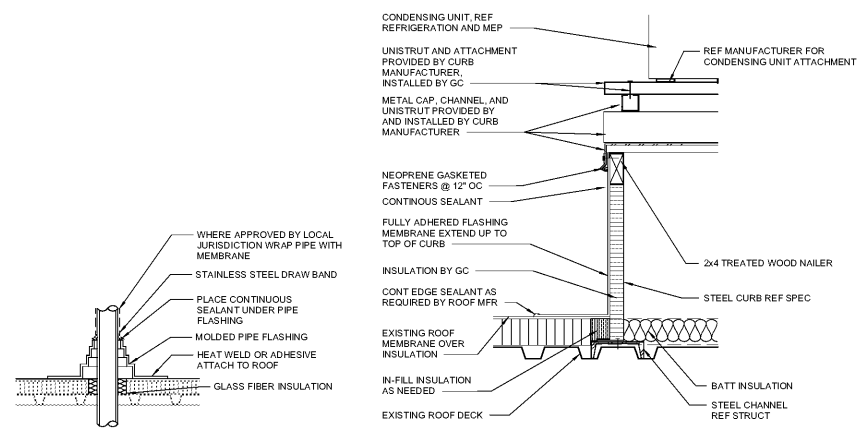
11 REFRIGERATION LINE ROOF PENETRATION
 1" = 1'-0"

NOTE: FOR ROOF PENETRATIONS LOCATED WHERE WALKWAY PADS ARE INSTALLED, TRIM WALKWAY PADS 4" FROM EDGE OF ROOF PENETRATION FLASHING BEFORE PAD INSTALLATION.

NOTE: DO NOT INSTALL WALKWAY PADS UNTIL ROOF PENETRATION FLASHINGS ARE COMPLETE.

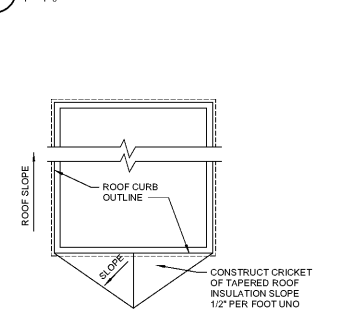


12 PAD LAYOUT (TYP NEW UNITS)
 1/2" = 1'-0"

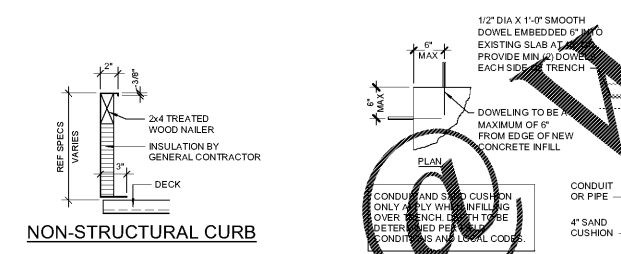


13 CONDENSER UNIT CURB
 1 1/2" = 1'-0"

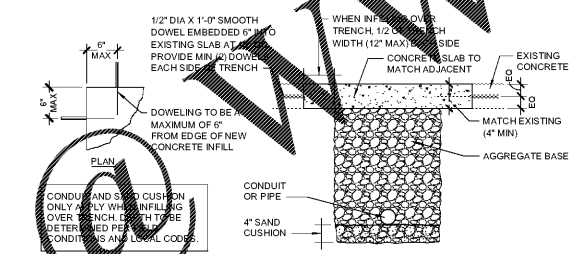
14 ROOF PENETRATION
 1" = 1'-0"



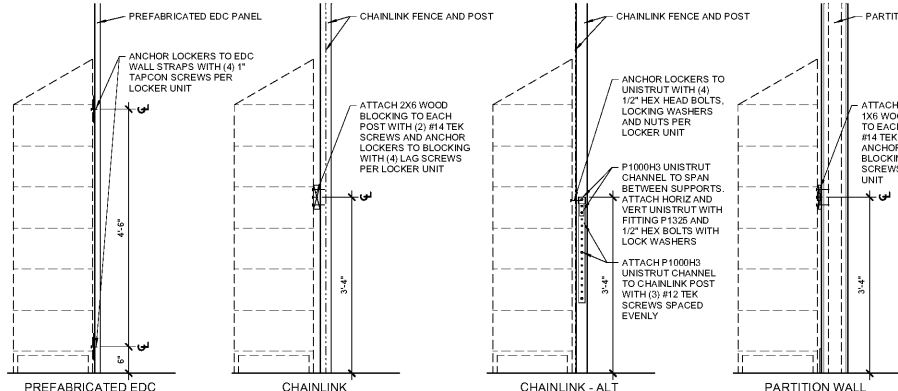
10 CRICKET
 1/2" = 1'-0"



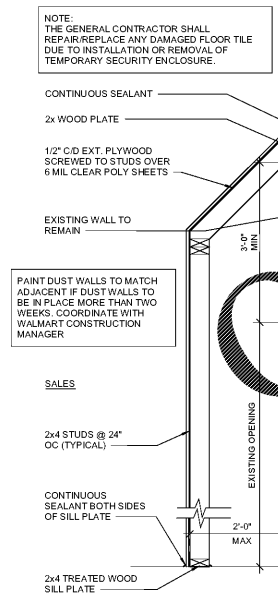
9 CURB
 1 1/2" = 1'-0"



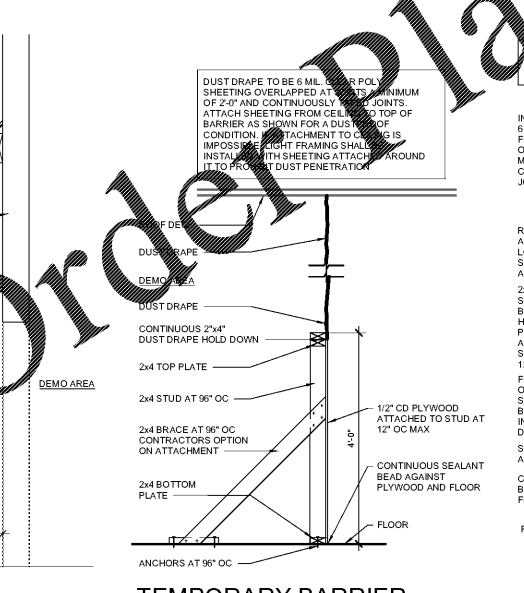
8 SLAB INFILL DETAIL
 3/4" = 1'-0"



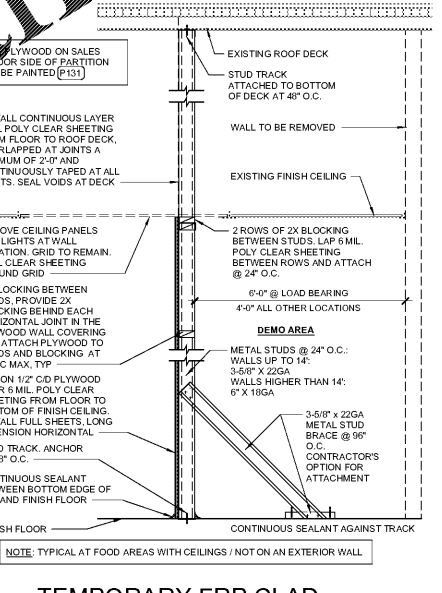
7 LOCKER ANCHORAGE
 3/4" = 1'-0"



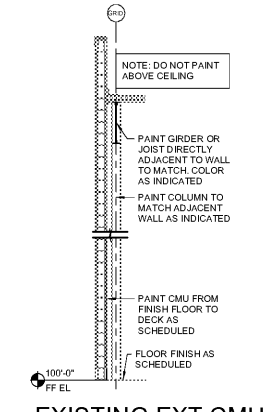
6 SECURITY ENCLOSURE
 3/4" = 1'-0"



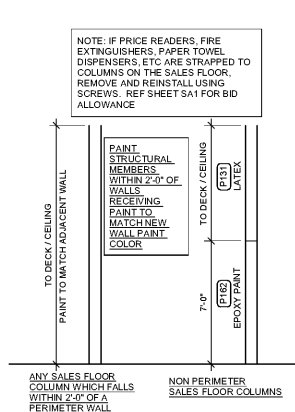
5 TEMPORARY BARRIER /DUST DRAPE
 3/4" = 1'-0"



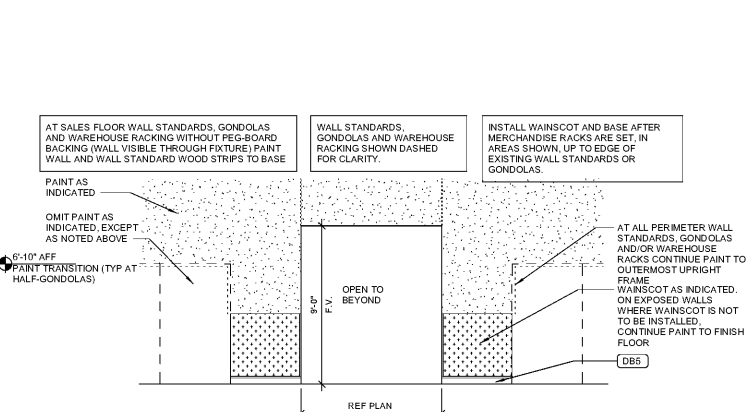
4 TEMPORARY FRP CLAD BARRIER/DUST DRAPE
 3/4" = 1'-0"



3 EXISTING EXT CMU WALL SECTION
 1/4" = 1'-0"



2 COLUMN COLORS
 1/4" = 1'-0"



1 SALES WALL FINISHES @ PERIMETER HALF-GONDOLAS
 1/4" = 1'-0"

Order Plans

Digitally signed by Ariane V. Tattershall
 DN: cn=Ariane V. Tattershall, o=SGA Design Group, email=atatters@sgadesigngroup.com
 Date: 2021.03.31 12:48:28-0500