

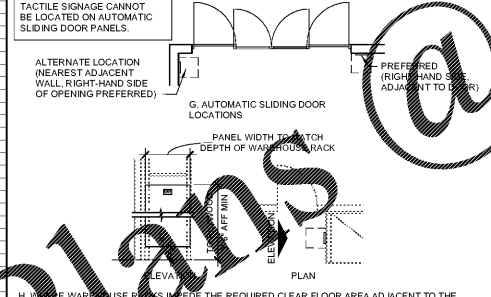
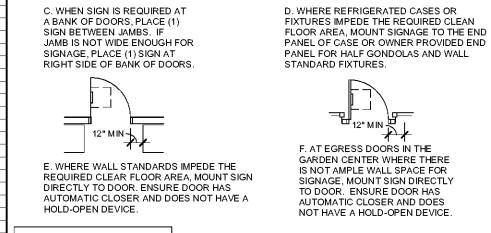
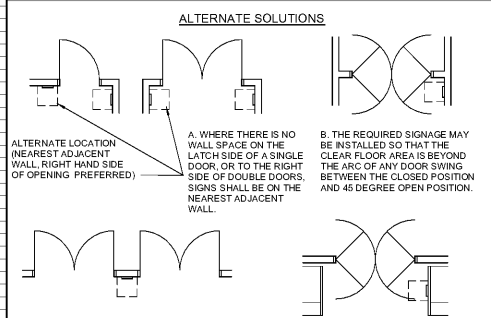
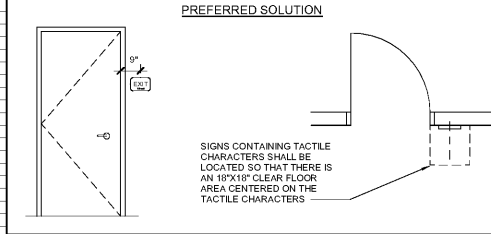
FINISH KEY

Table with columns: MARK, FINISH, COLOR, DESC. Lists various materials like ACCT1 ACUSTICAL CEILING TILE, CT143 PORCELAIN WALL TILE, etc.

- 1. PAINT ALL METAL DOOR FRAMES VISIBLE TO CUSTOMER (EXCEPT DOORS IN CMU WALLS) WITH EPOXY PAINT.
2. AT ROOMS SCHEDULED TO RECEIVE NEW PAINT...
3. INSTALL MISSING CEILING TILES TO MATCH ADJACENT TILES IN ALL ROOMS...

TACTILE SIGN REQUIREMENTS

- 1. A TACTILE SIGN STATING "EXIT" AND COMPLYING WITH ANSI 1117.1 SHALL BE PROVIDED ADJACENT TO EACH DOOR TO AN EXIT PASSAGEWAY AND THE EXIT DISCHARGE...
2. FOR CHARACTER WIDTH, THE UPPERCASE LETTER "O" SHALL BE USED TO DETERMINE THE ALLOWABLE WIDTH OF ALL CHARACTERS OF A FONT...



SYMBOLS LEGEND

- X-XX REFERENCE AT KEYNOTE INDICATOR KEYNOTE INDICATOR
A KEYNOTE OR BLOCK OF KEYNOTES WITH A LEADER ATTACHED APPLY SPECIFICALLY TO THE ITEM AREA, OR SURFACE TO WHICH THE LEADER IS POINTING
SALES IN ADDITION TO THE ROOM FINISH SCHEDULE, A KEYNOTE OR BLOCK OF KEYNOTES ATTACHED TO THE ROOM NAME TAG APPLY TO THE ENTIRE ROOM
P3 COLOR INDICATOR
2-A2 FULL AND PARTIAL SECTION INDICATOR
2-A2 EXTERIOR AND INTERIOR ELEVATION INDICATOR
100 ROOM NAME AND NUMBER
A6 PARTITION TYPE INDICATOR
D101 DOOR INDICATOR
V WINDOW INDICATOR
A COLUMN LINE INDICATOR
100'-0" HEIGHT ELEVATION INDICATOR
100'-0" PLAN ELEVATION INDICATOR
5 A2 ENLARGED DETAIL INDICATOR
5 A2 DETAIL INDICATOR

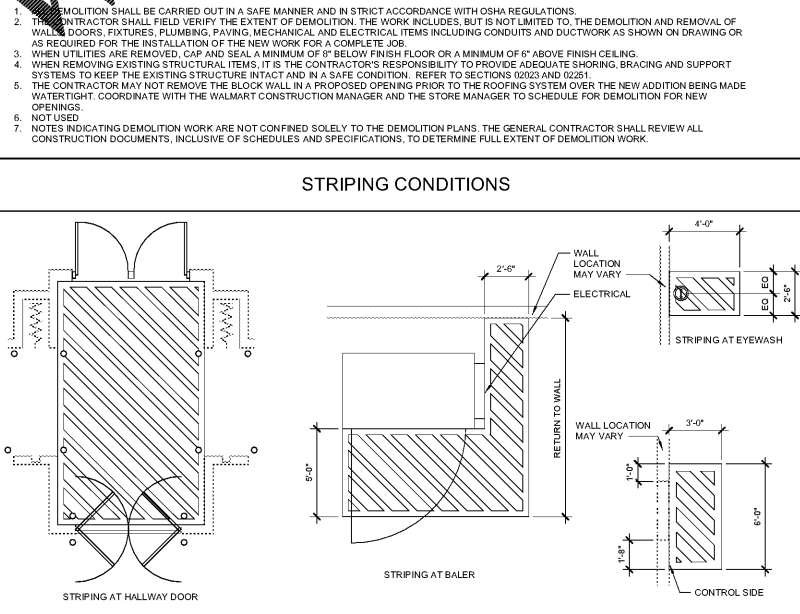
SITE VERIFICATION REQUIREMENTS

- 1. THE ARCHITECT HAS MADE A SCOPE VISIT WITH MEASUREMENTS AND PHOTOGRAPHS OF EXISTING CONDITIONS AND THE ARCHITECTURAL DRAWINGS INDICATE EXISTING CONDITIONS VERIFIED IN THE FIELD...
2. ANY DISCREPANCY WITH THE EXISTING SITE CONDITIONS AND/OR THE DRAWINGS SHALL BE BROUGHT TO THE ATTENTION OF THE ARCHITECT FOR CLARIFICATION AND INSTRUCTION...

GENERAL CONSTRUCTION REQUIREMENTS

- 1. ALL WORK SHALL BE DONE IN A SAFE AND WORKMANLIKE MANNER AND IN STRICT ACCORDANCE WITH THE LOCAL AND/OR STATE (IF APPLICABLE) BUILDING CODES, NATIONAL ELECTRIC CODE, ADA-ADAG AND OTHER ADOPTED ACCESSIBILITY STANDARDS, OSHA, AND ALL APPLICABLE CODES, REGULATIONS, ORDINANCES AND AUTHORITIES HAVING JURISDICTION OVER THE PROJECT...
2. PROVISIONS REGARDING THE USE OF GAS AND DIESEL EQUIPMENT WITHIN AN ENCLOSED BUILDING, FORMERLY INCLUDED IN THIS PARAGRAPH, ARE NOW INCLUDED IN SECTION 01351 - REGULATORY COMPLIANCE...

STRIPING CONDITIONS



- 1. WIDE PAINTED STRIPES (PS) @ 12" ON CENTER, @ 45 DEGREE ANGLE TO 1/2" WIDE EXTERIOR BOUNDARY LINES.
2. IF EXISTING HALLWAY, BALER, COMPACTOR, OR EYEWASH WARNING ARES ARE PAINTED SOLID OR HAVE INCORRECT PATTERN, REMOVE EXISTING PAINT AND APPLY PAINT PER THE STRIPING CONDITIONS SHOWN HERE.

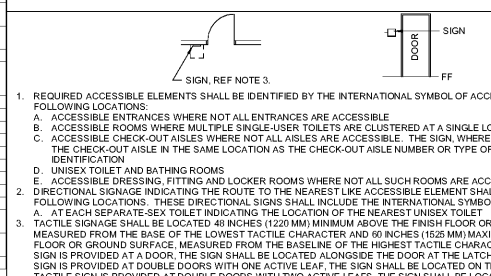
ABBREVIATION LEGEND

Table with columns: ABBR, DEFINITION. Lists abbreviations like AB ANCHOR BOLT, ACI AMERICAN CONCRETE INSTITUTE, etc.

DEFINITION LEGEND

Table with columns: ABBR, DEFINITION. Lists definitions like FINL FINAL MERCHANDISE PLAN, FNL FINALIZED MERCHANDISE PRINT FROM WM, etc.

SIGNAGE LEGEND



- 1. REQUIRED ACCESSIBLE ELEMENTS SHALL BE IDENTIFIED BY THE INTERNATIONAL SYMBOL OF ACCESSIBILITY AT THE FOLLOWING LOCATIONS...
2. ACCESSIBLE ENTRANCES WHERE NOT ALL ENTRANCES ARE ACCESSIBLE...
3. TACTILE SIGNAGE SHALL BE LOCATED 48 INCHES (1220 MM) MINIMUM ABOVE THE FINISH FLOOR OR GROUND SURFACE...

SGA Design Group, P.C. 1437 South Boulder, Suite 550, Littleton, Colorado 80120. Phone: (303) 467-8800. Website: www.sga-design.com

STIPULATION FOR REUSE: THIS DRAWING IS THE PROPERTY OF WALMART STORES INC. AND IS NOT TO BE REPRODUCED OR TRANSMITTED IN ANY FORM OR BY ANY MEANS, ELECTRONIC OR MECHANICAL, WITHOUT THE WRITTEN PERMISSION OF WALMART STORES INC.

CONSULTANTS: WALTERS CONSULTANTS, INC. 1500 S. WYOMING ST., SUITE 200, DENVER, CO 80202. Phone: (303) 733-1100. Website: www.waltersconsultants.com

Walmart, AL PRATTVILLE, AL 1903 COBBES FORD RD STORE NO. 0465-349. 2089888 PHOTO

ISSUE BLOCK: Table with columns for Issue Number, Description, and Date.

CHECKED BY: T/C ROY/MT DRAWN BY: AR

PROTO CYCLE: 12/04/20 DOCUMENT DATE: 03/31/21

THE RECORD COPY OF THIS DRAWING IS TO BE AT THE OFFICE OF SGA DESIGN GROUP. THIS ELECTRONIC DOCUMENT IS RELEASED FOR THE PURPOSE OF REFERENCE, COORDINATION AND/OR FACILITY MANAGEMENT. THIS DRAWING SHALL NOT BE CONSIDERED FINAL OR CLARIFIED UNLESS IT IS SIGNED AND DATED BY THE ARCHITECT.

STATE OF ALABAMA ARCHITECTS BOARD ARCHANE V. TATTERSHALL 8016. Signature and date: 03/31/2021

GENERAL INFORMATION

SHEET: N1