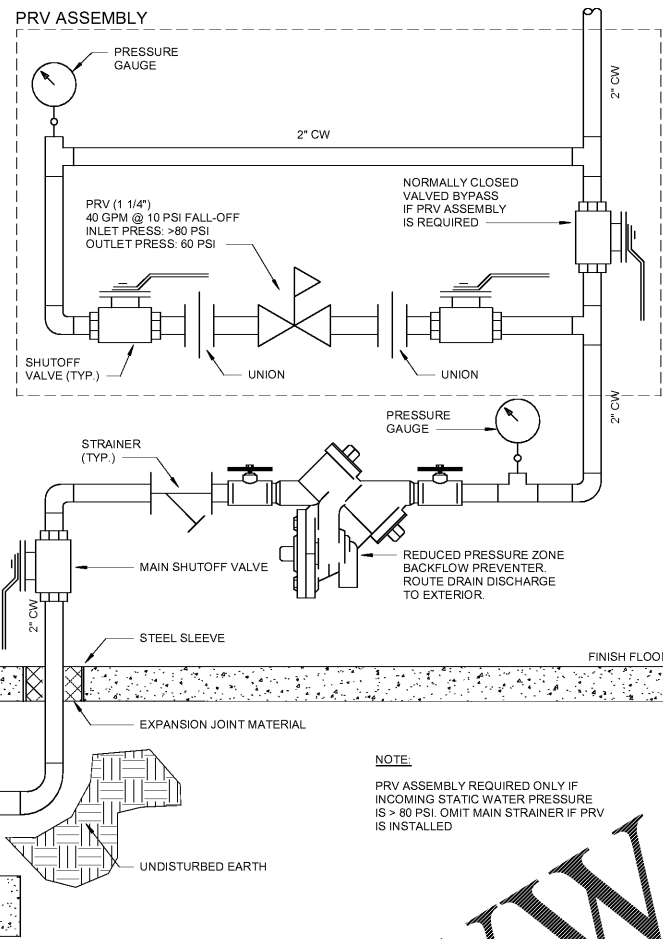
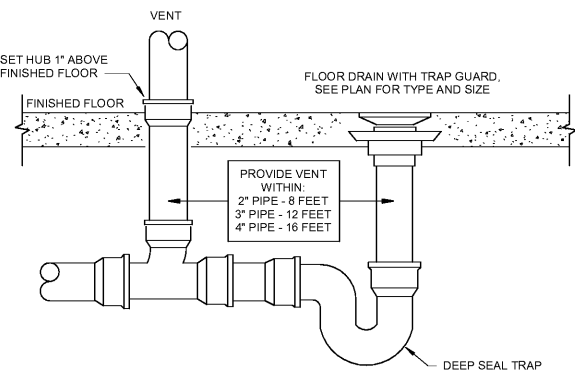


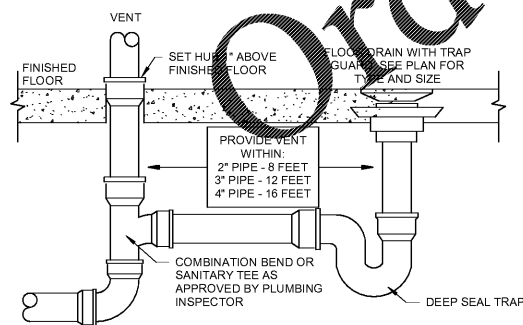
**7** DETAIL - FIRE PROTECTION SERVICE ENTRANCE  
P3.1 N.T.S.



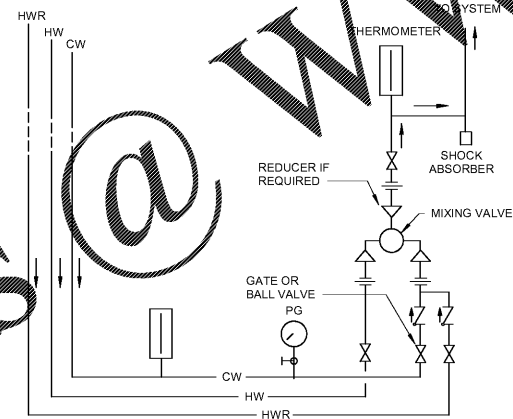
**4** DETAIL - WATER SERVICE ENTRANCE RISER.  
P3.1 N.T.S.



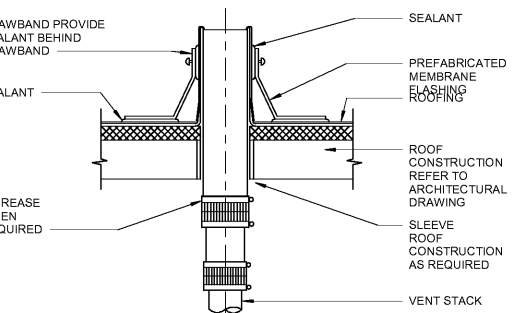
**8** DETAIL - FLOOR DRAIN VENT  
P3.1 N.T.S.



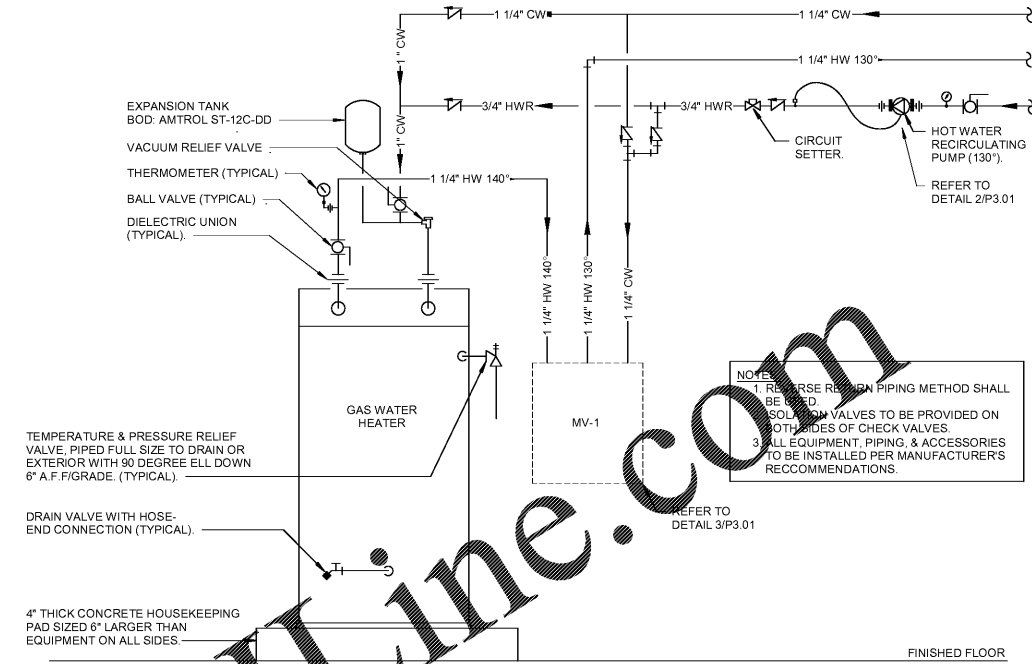
**9** DETAIL - FLOOR DRAIN VENT W/ OFFSET  
P3.1 N.T.S.



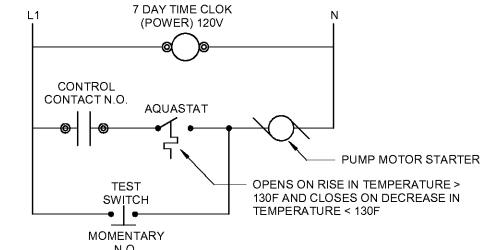
**5** DETAIL - MIXING VALVE STATION  
P3.1 N.T.S.



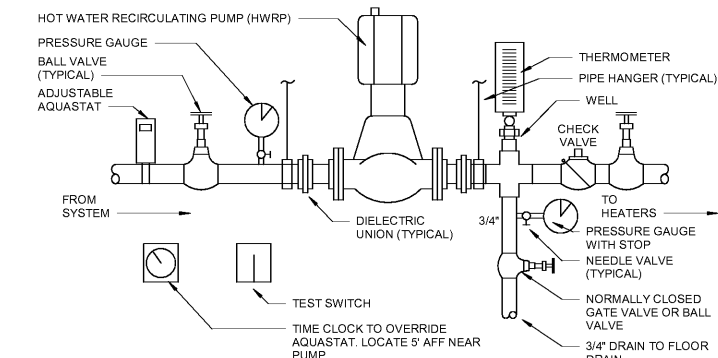
**6** DETAIL - VENT THROUGH ROOF (VTR)  
P3.1 N.T.S.



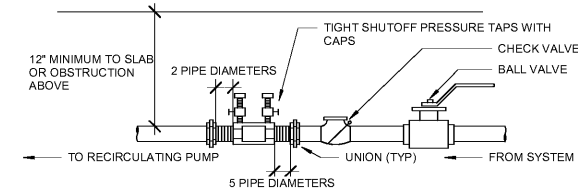
**2** DETAIL - HOT WATER RECIRCULATING PUMP (HWRP)  
P3.1 N.T.S.



CONTROL DIAGRAM



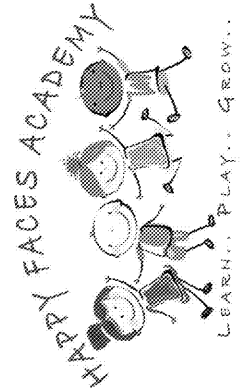
**3** DETAIL - HOT WATER RETURN BALANCING VALVE  
P3.1 N.T.S.



**2** DETAIL - HOT WATER RECIRCULATING PUMP (HWRP)  
P3.1 N.T.S.

JOB NUMBER: 19221  
CHECKED BY: Checker

PLANNING ARCHITECTURE INTERIORS  
**CALBERT DESIGN GROUP**  
INFO@CALBERTDESIGN.COM | 813-985-1744 | 2955 OCHEREAU ST., SUITE 600, KENNESAW, GA 30144



PROJECT LOCATION:  
2865 WEBB ROAD  
MILTON, GA 30004

REVISIONS		
NO	DATE	DESCRIPTION

DETAILS - PLUMBING  
**P3.1**  
DATE 06/24/20

THOMPSON EHLE CO.  
50 TECHNOLOGY PKWY  
PEACHTREE CORNERS, GA 30092  
Tel: 404-266-1400  
TEC #22021