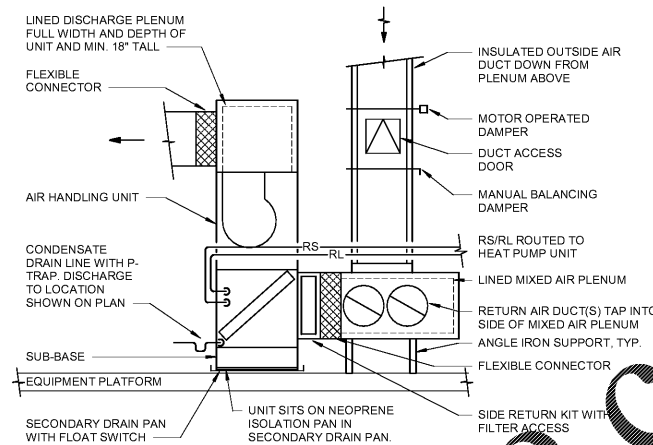
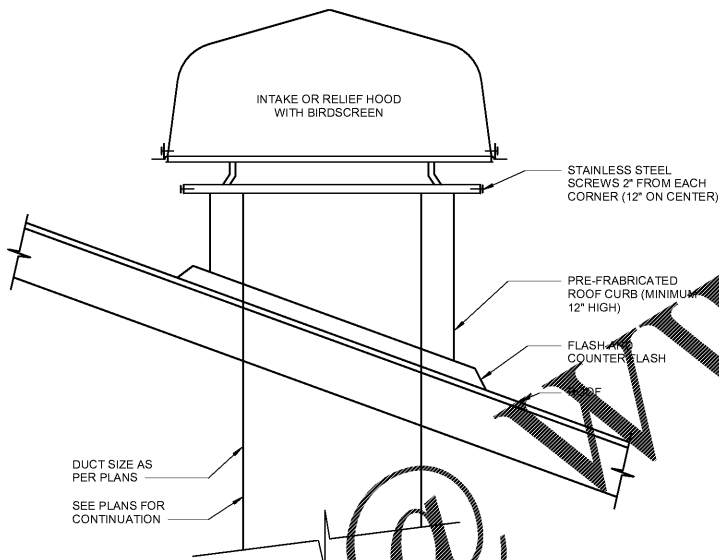


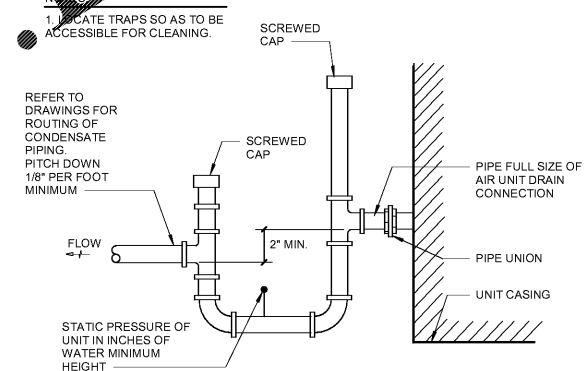
4 INLINE FAN DETAIL
M3.1 N.T.S.



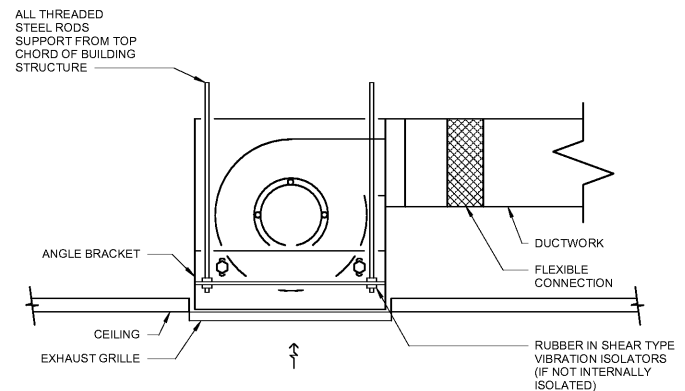
1 AC UNIT DETAIL
M3.1 N.T.S.



5 ROOF MOUNTED INTAKE HOOD DETAIL
M3.1 N.T.S.



2 CONDENSATE DRAIN TRAP DETAIL
M3.1 N.T.S.



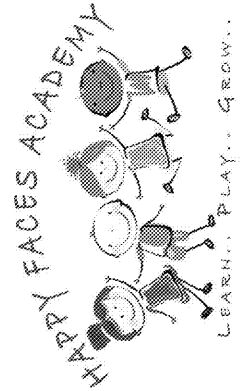
NOTE: REFER TO FAN SCHEDULE FOR CONTROL.
3 CEILING MOUNTED CABINET EXHAUST FAN DETAIL
M3.1 N.T.S.

Order Plans @

WWW.LDILine.com

JOB NUMBER: 19221
CHECKED BY: Checker

PLANNING
ARCHITECTURE
INTERIORS
CALBERT
DESIGN GROUP
INFO@CALBERTDESIGN.COM | 813-386-1744 | 2950 CHEVONNE ST., SUITE 600, KENNESAW, GA 30144



PROJECT LOCATION:
2865 WEBB ROAD
MILTON, GA 30004

REVISIONS		
NO	DATE:	DESCRIPTION:

DETAILS - MECHANICAL

M3.1

DATE 11/17/20

THOMPSON EHLE CO.
50 TECHNOLOGY PKWY
PEACHTREE CORNERS, GA 30092
Tel: 404-266-1400
TEC #22021