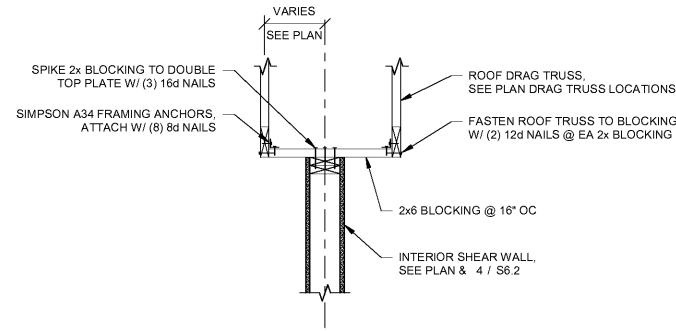
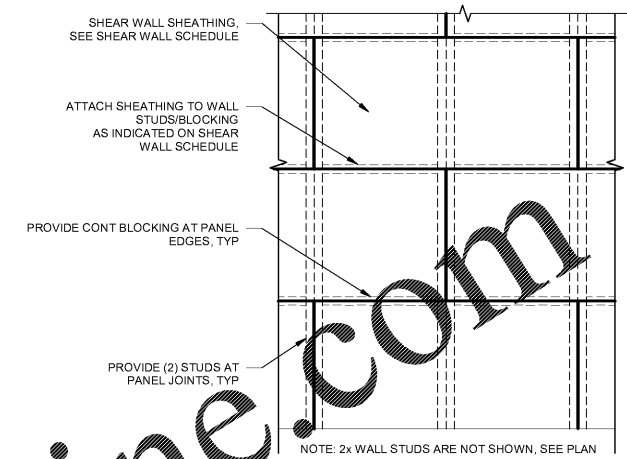


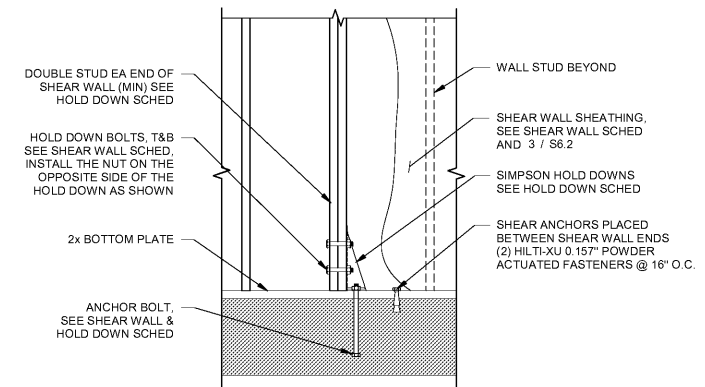
9 TYPICAL WOOD HEADER / MULTI-PLY BEAM ASSEMBLY DETAILS
S6.2 NO SCALE



6 INTERIOR SHEAR WALL BRACING DETAIL
S6.2 3/4\"/>



3 TYPICAL SHEAR WALL LAYOUT
S6.2 3/4\"/>



2 SHEAR WALL HOLD DOWN AT FOUNDATION
S6.2 3/4\"/>

SHEAR WALL & HOLD DOWN SCHEDULE						
SHEAR WALL				HOLD DOWN		
MARK	SHEATHING	ATTACHMENT	MIN STUD QUANTITY AT WALL ENDS (NOTE 1)	ROD SIZE	TAKE-UP DEVICE	EMBEDMENT INTO FOUNDATION
SW1	5/8\"/>					
SW2	5/8\"/>					
SW3	5/8\"/>					

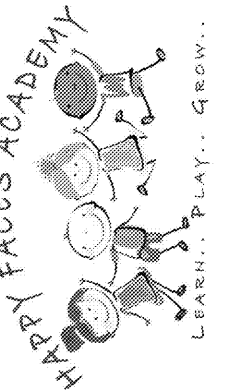
NOTES:
1. WHERE PANELS ARE APPLIED ON BOTH FACES OF A SHEAR WALL AND SPACING IS LESS THAN 6\"/>

4 SHEAR WALL & HOLD DOWN SCHEDULE
S6.2 NO SCALE

JOB NUMBER: 19221
CHECKED BY: Checker

PLANNING
ARCHITECTURE
INTERIORS

CALBERT
DESIGN GROUP



PROJECT LOCATION:
2865 WEBB ROAD
MILTON, GA 30004

REVISIONS

NO	DATE:	DESCRIPTION:

WOOD FRAMING DETAILS

S6.2

DATE 01/27/21



Foresite Group, Inc. | www.fg-inc.net
3740 Davinci Ct. | 770.368.1399
Suite 100 | 770.368.1944
Peachtree Corners, GA 30092

Order Plans @ www.LDILine.com