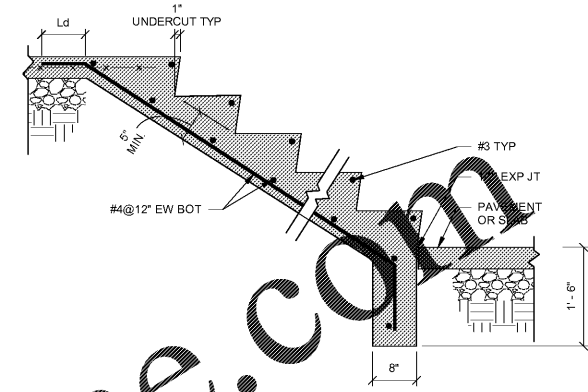
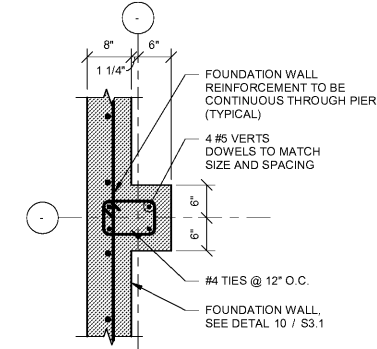


Order Plans @ [www.LDILine.com](http://www.LDILine.com)

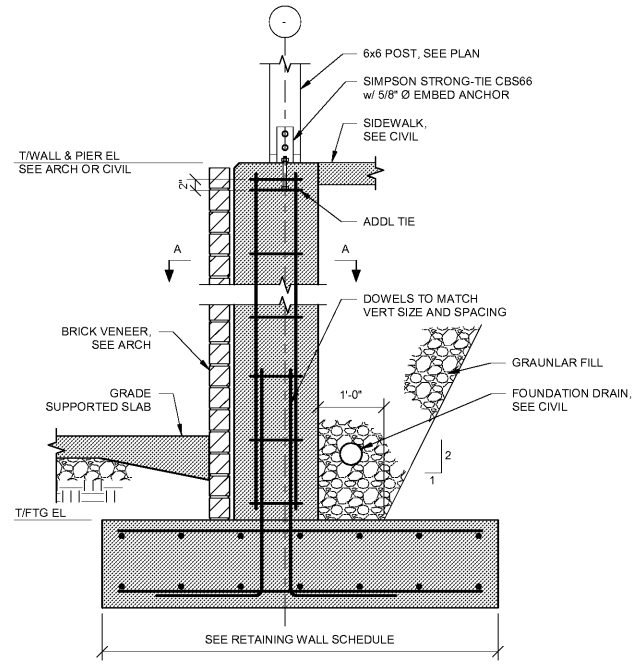
NOTE:  
SEE ARCH FOR SIZE AND QUANTITY OF RISERS AND TREADS



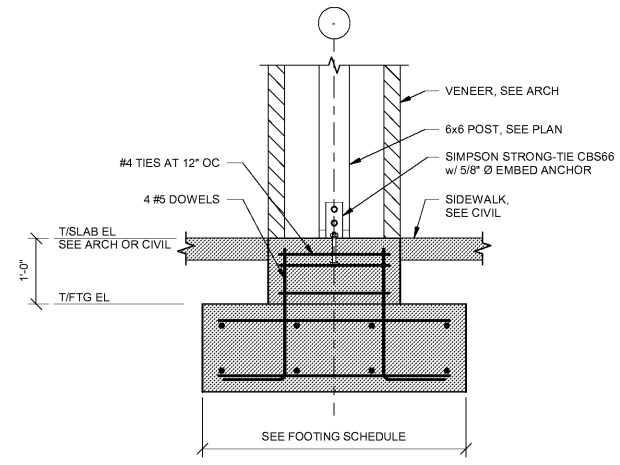
3 TYPICAL REINFORCING AT CONCRETE STAIR  
S3.2 3/4\"/>



SECTION A-A



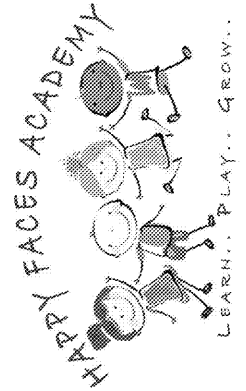
1 TYPICAL CONC PIER  
S3.2 3/4\"/>



4 TYPICAL WOOD POST ON CONCRETE FOOTING  
S3.2 3/4\"/>

JOB NUMBER: 19221  
CHECKED BY: Checker

PLANNING  
ARCHITECTURE  
INTERIORS  
**CALBERT**  
DESIGN GROUP  
INFO@CALBERTDESIGN.COM | 813.386.1744 | 2950 OBERWALDE ST., SUITE 600, KENNESAW, GA 30144



PROJECT LOCATION:  
2865 WEBB ROAD  
MILTON, GA 30004

REVISIONS		
NO	DATE:	DESCRIPTION:

FOUNDATION DETAILS

**S3.2**

DATE 01/27/21

**FORESITE**  
group

Foresite Group, Inc. | www.fg-inc.net  
3740 Davinci Ct. | 770.368.1399  
Suite 100 | 770.368.1944  
Peachtree Corners, GA 30092