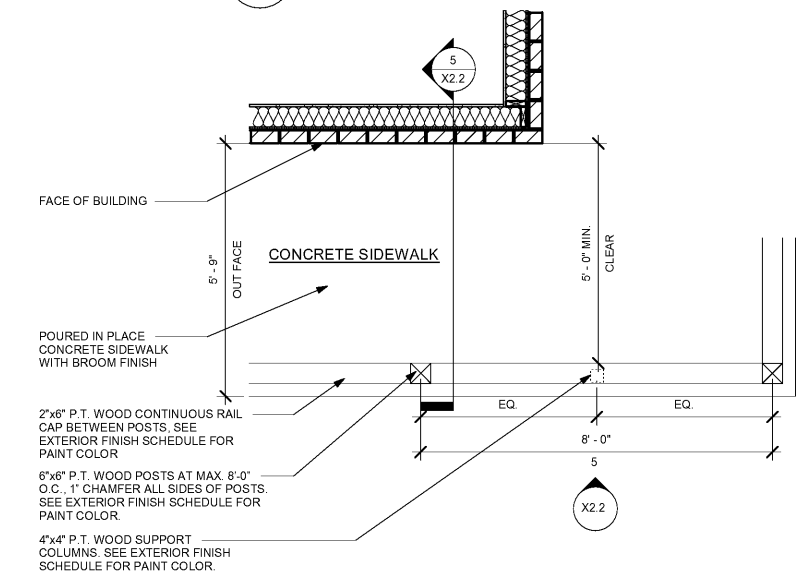
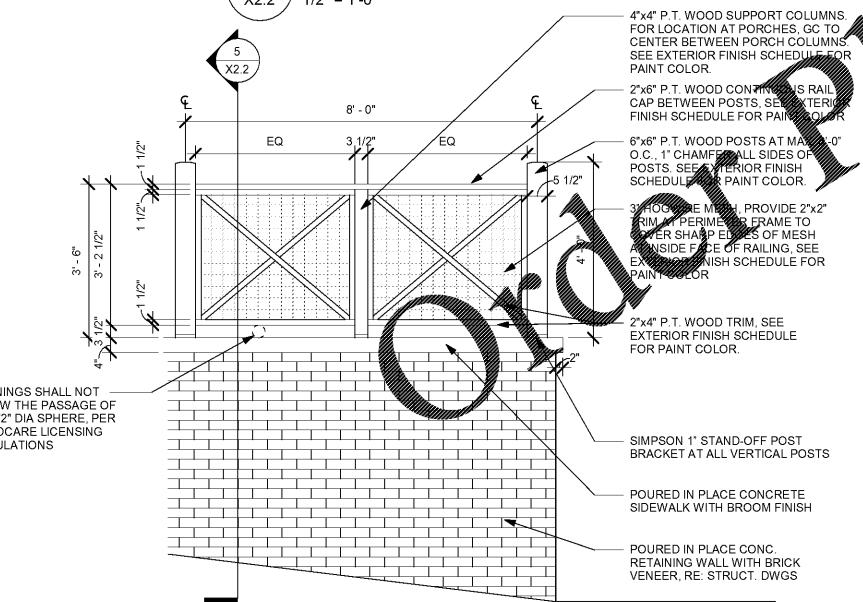


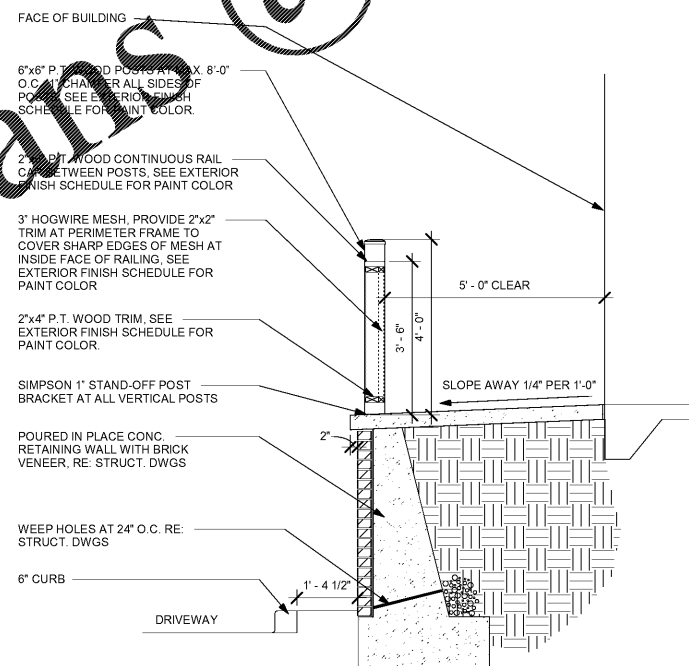
1 ENLARGED STAIR PLAN
X2.2 1/2" = 1'-0"



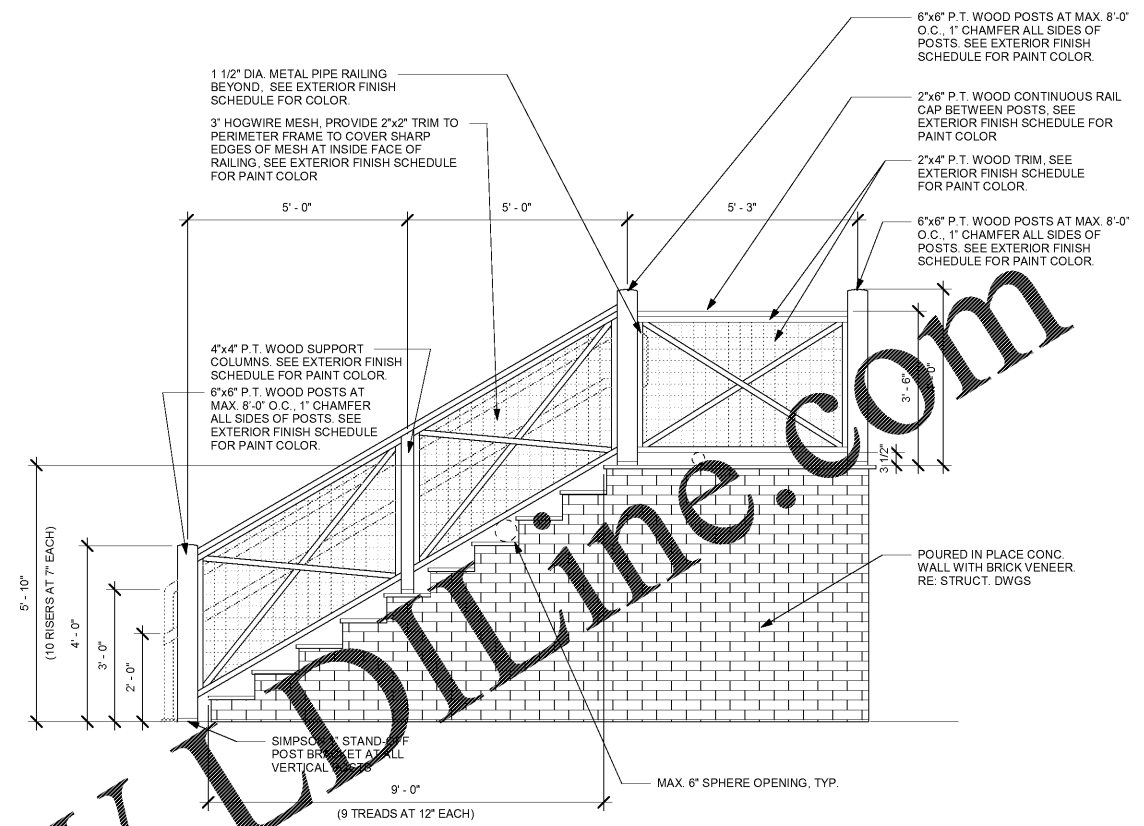
2 ENLARGED X-RAILING PLAN
X2.2 1/2" = 1'-0"



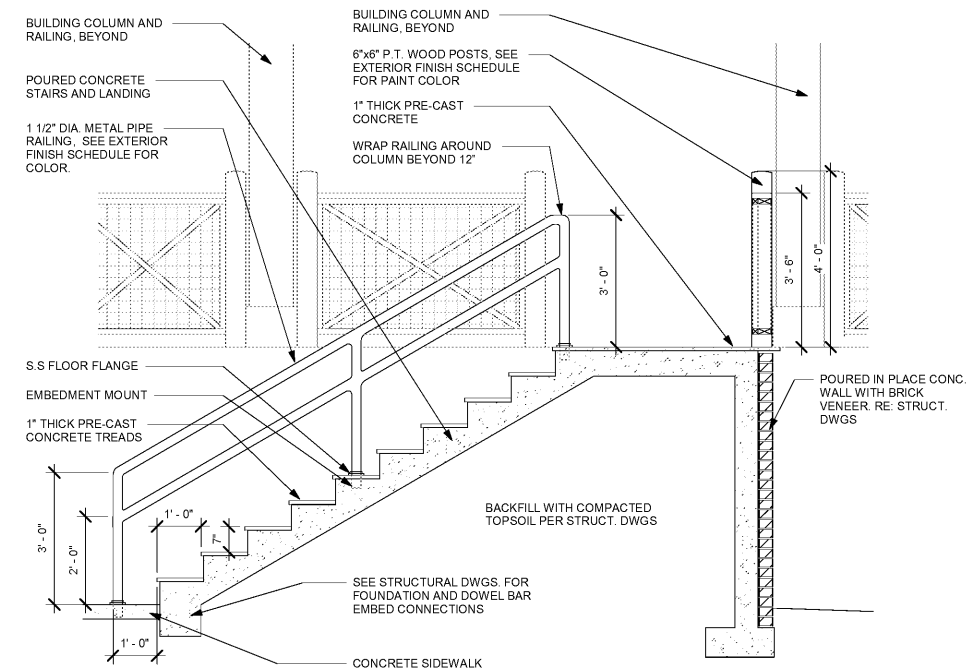
4 TYP. X-RAILING ELEVATION
X2.2 1/2" = 1'-0"



5 TYP. X-RAILING SECTION
X2.2 1/2" = 1'-0"



3 STAIR ELEVATION
X2.2 1/2" = 1'-0"

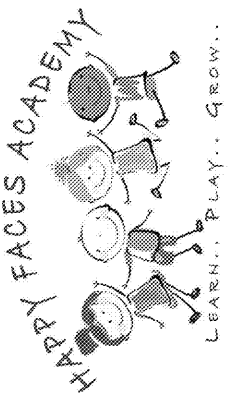


6 STAIR SECTION
X2.2 1/2" = 1'-0"

JOB NUMBER: 19221
CHECKED BY: Checker

PLANNING
ARCHITECTURE
INTERIORS

CALBERT
DESIGN GROUP



PROJECT LOCATION:
2865 WEBB ROAD
MILTON, GA 30004

REVISIONS

NO	DATE	DESCRIPTION

RAILING AND STAIR
DETAILS

X2.2

DATE 09/10/20