

AIR DISTRIBUTION DEVICE SCHEDULE							
SYMBOL	SIZE	SERVICE	MOUNTING	ACCESSORIES	MANUFACTURER MODEL NO.	COLOR	REMARKS
CD-1	REFER TO PLANS	CEILING SUPPLY DIFFUSER	LAY-IN CEILING	OPPOSED BLADE	PRICE MODEL ASCD	-	24"x24" FACE
RR-1	REFER TO PLANS	RETURN REGISTER	LAY-IN CEILING	45° FIXED LOUVER	PRICE MODEL 630	-	-
-	-	-	-	-	-	-	-

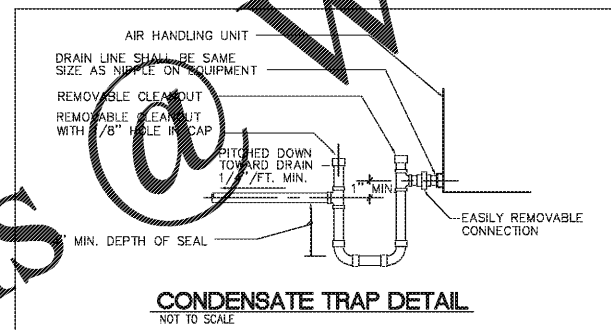
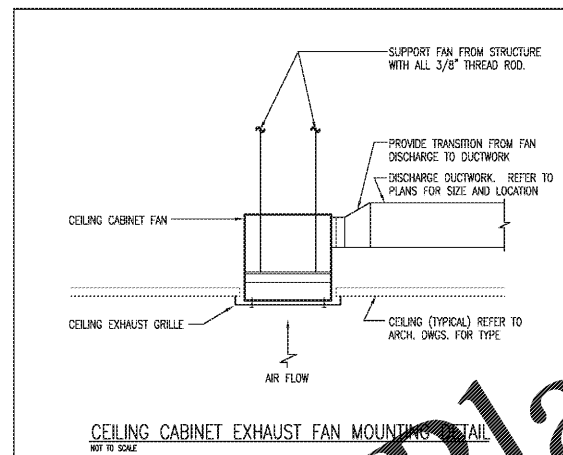
NOTES:

- SUPPLY AIR DIFFUSERS ARE FOUR WAY AIR PATTERN UNLESS INDICATED OTHERWISE ON PLAN BY ARROWS.
- MAXIMUM PRESSURE DROP OF .04 IN W.C.
- TRANSITION ROUND FLEXIBLE OR RECTANGULAR RIGID DUCTWORK TO DIFFUSER NECK AS REQUIRED.
- INSULATE BACK OF CEILING DIFFUSERS AND RETURN GRILLES.
- PROVIDE SQUARE TO ROUND TRANSITIONS AS REQUIRED.
- REFER TO PLANS FOR NECK SIZES AND AIR QUANTITIES.

EXHAUST FAN SCHEDULE												
UNIT NO.	SERVICE	LOCATION	CFM	E.S.P. (IN W.G.)	ELECTRICAL DATA			R.P.M. HI/LO	SONES	DRIVE	MANUFACTURER MODEL NUMBER (AS STANDARD)	REMARKS
					WATTS FAN ONLY	VOLTS	PHASE					
EF-1&2	TOILET	CLG	100	125	156	120	1	-	4.1	DIRECT	NUTONE#672	1,2,3,4,5
-	-	-	-	-	-	-	-	-	-	-	-	-

NOTES:

- PROVIDE WITH UNIT MOUNTED DISCONNECT.
- PROVIDE WITH BACKDRAFT DAMPERS & WALL CAP.
- PROVIDE SPEED CONTROLLER
- INTERLOCK FAN WITH LIGHT SWITCH
- FANS TO BE U.L. LISTED & AMCA CERTIFIED



AIR CONDITIONING SCHEDULE	
MARK	AC-1,2
AREA	RETAIL SPACE
BTUH SENSIBLE	112,497
BTUH TOTAL	146,100
ENTERING DB-WB	80/67
OUTSIDE TEMP.	95° F
SUPPLY CFM	5,000
EXTERNAL SP.	.5
OSA CFM	REFER TO PLANS
FAN H.P.	5
HEAT KW	30
VOLTAGE/PHASE	208/3Ø
MCA	100
FUSE SIZE	100
EER	11
REFRIGERANT	R-410A
MODEL NO.	ZCA150S4BJ1Y
MANUFACTURER	LENNOX
UNIT WEIGHT	1,250

NOTES:

- PROVIDE FILTER RACK WITH 2" 30-35% FILTERS.
- PROVIDE SOLID STATE HEAD PRESSURE CONTROL ON CONDENSER FAN FOR LOW VOLTAGE CONTROL
- PROVIDE 5 MINUTE SOLID STATE DELAY CONTROL TO PREVENT COMPRESSOR FROM SHORT CYCLING
- INSTALL UNIT PER MANUFACTURER'S SPECIFICATIONS AND GUIDELINES
- PROVIDE UNIT WITH ELECTRIC HEAT AND SINGLE POINT CONNECTION
- UNIT DISCONNECT AND SERVICE OUTLET PROVIDED BY DIV.
- PROVIDE FACTORY MOUNTED THERMAL PROTECTOR & BAROMETRIC RELIEF

GENERAL SMOKE DETECTOR NOTE:
ALL RTO WITH VOLUME FLOW RATE GREATER THAN 2000CFM SHALL BE PROVIDED WITH SMOKE DETECTOR IN THE SUPPLY SIDE OF ALL FANS PER SECTION 606.2.1 OF THE IMC AS AMENDED BY THE STATE OF GEORGIA.

HVAC GENERAL NOTES

- CONTRACTOR SHALL VISIT THE EXISTING FACILITY AND CAREFULLY EXAMINE THOSE PORTIONS OF THE BUILDING AND SITE AFFECTED BY THIS WORK BEFORE SUBMITTING PROPOSALS, SO AS TO BECOME FAMILIAR WITH THE EXISTING CONDITIONS AND DIFFICULTIES THAT WILL AFFECT EXECUTION OF THE WORK. SUBMISSION OF A PROPOSAL WILL BE CONSTRUED AS EVIDENCE THAT SUCH EXAMINATION HAS BEEN MADE AND LATER CLAIMS FOR LABOR, EQUIPMENT OR MATERIALS REQUIRED BECAUSE OF DIFFICULTIES ENCOUNTERED WILL NOT BE RECOGNIZED.
- ALL WORK SHALL BE COORDINATED WITH ALL TRADES INVOLVED.
- CONNECTION TO EQUIPMENT SHALL BE VERIFIED WITH MANUFACTURER'S CERTIFIED DRAWINGS. TRANSITIONS TO ALL EQUIPMENT SHALL BE VERIFIED AND PROVIDED FOR EQUIPMENT FURNISHED.
- BEFORE FABRICATION, VERIFY AND COORDINATE ALL DIMENSIONS IN THE FIELD.
- COORDINATE DIFFUSER AND REGISTER LOCATIONS WITH ELECTRICAL LIGHTING LAYOUT AND ARCHITECTURAL REFLECTED CEILING PLAN.
- ALL WORK SHALL BE COORDINATED WITH ALL TRADES INVOLVED. OFFSETS IN DUCTS AND PIPING, AND TRANSITIONS AND CONNECTIONS SHALL BE PROVIDED AND ADDITIONAL TO THE OWNER.
- COORDINATE GRILLES AND DIFFUSERS WITH MECHANICAL PROFILES, RELOCATE AS REQUIRED TO MAINTAIN REFLECTED CEILING PLAN IN FIELD CONDITIONS.
- SEAL ALL OPENINGS THROUGH ROOF AND EXTERIOR WALLS WATER TIGHT.
- NOT USED
- NOT USED
- REFER TO MECHANICAL AND ARCHITECTURAL DRAWINGS FOR LOCATIONS OF ALL RATED PARTITIONS. MAINTAIN FIRE RATING INTEGRITY OF DUCTWORK AND ALL PIPING PENETRATIONS.
- ALL SEAMS AND CONNECTIONS IN DUCTWORK, DUCTBOARD, AND INSULATION WRAP SHALL BE SEALED WITH TWO LAYERS OF FAB AND MASTIC.
- NOT USED
- FURNISH AND INSTALL ALL NECESSARY ACCESSORIES, HARDWARE, AND APPURTENANCES REQUIRED FOR A COMPLETE FUNCTIONAL SYSTEM.
- ALL DUCTWORK SHALL BE IN ACCORDANCE WITH SMACNA DUCT CONSTRUCTION STANDARD AND DUCT INSULATION R-VALUE SHALL BE IN ACCORDANCE WITH ENERGY CODE REQUIREMENTS. MINIMUM INSTALLED R-6
- THE MECHANICAL CONTRACTOR SHALL BE RESPONSIBLE FOR THE DEMOLITION OF EXISTING MECHANICAL SYSTEM AS REQUIRED TO PERFORM NEW MECHANICAL WORK. ALL DIFFUSERS, DUCTWORK, AND MISCELLANEOUS DEBRIS SHALL BE REUSED OR TURNED OVER TO THE OWNER'S REPRESENTATIVE OR REMOVED FROM SITE AND PROPERLY DISPOSED OFF AT THE DIRECTION OF THE OWNER'S REPRESENTATIVE.
- ALL DUCTS SHALL BE SECURELY SUPPORTED, HUNG OR SUSPENDED BY METAL HANGERS, STRAPS, RODS, LUGS OR BRACKETS COMPLYING WITH DUCT CONSTRUCTION STANDARDS REFERENCED IN SMACNA
- ALL DUCT REGISTERS, GRILLES, AND DIFFUSERS SHALL HAVE A MIN. FLAME SPREAD RATING OF NOT OVER 25 AND A MIN. SMOKE DEVELOPED RATING OF NOT OVER 50 AND SHALL BE IN COMPLIANCE WITH SECTIONS 603.15 AND 603.15.1.
- BALANCING AND ADJUSTMENTS PRIOR TO FINAL INSPECTION:
PROVIDE TEST AND BALANCE BY INDEPENDENT CONTRACTOR. ADJUST THE AIR CONDITIONING SYSTEMS, VENTILATING SYSTEMS, FANS, ETC., TO DELIVER NOT LESS THAN THE REQUIRED AIR QUANTITY WITH DIFFERENT QUANTITIES TO BE SUBJECT TO THE APPROVAL OF THE ENGINEER.
MAKE FINAL ADJUSTMENTS NECESSARY TO SATISFY OWNER NOISE AND COMFORT LEVEL REQUIREMENTS.
THIS CONTRACTOR SHALL PROVIDE THREE (3) COPIES OF A TEST AND BALANCE REPORT TO THE ARCHITECT AT TIME OF SUBSTANTIAL COMPLETION INSPECTION.

Robert E. Walker, IV
Architect

2229 FIRST AVE. SOUTH
SUITE 110
BIRMINGHAM, Alabama
35233
T-205.254.3212
F-205.254.3269

ROBERT M. BEATTIE, PE

2015 STATE CAPITAL - GEORGIA, AL 35296
P.O. BOX 100000 - 35210-0000 - BIRMINGHAM, AL 35210
WEBSITE: WWW.RMBC.COM - EMAIL: RMBC@GMAIL.COM
STRUCTURAL DEPT.: 404.588.1554 - EMAIL: RMBC@GMAIL.COM
ELECTRICAL DEPT.: 404.588.1555 - EMAIL: RMBC@GMAIL.COM
MECHANICAL DEPT.: 404.588.1556 - EMAIL: RMBC@GMAIL.COM
PROJECT # BEATTIE-001-10-#

ROBERT M. BEATTIE, PE - MEMBER - REGISTERED PROFESSIONAL ENGINEER
LICENSED IN THE STATE OF ALABAMA AND THE STATE OF GEORGIA
ALL RIGHTS RESERVED. NO PART OF THIS DOCUMENT MAY BE REPRODUCED OR TRANSMITTED IN ANY FORM OR BY ANY MEANS, ELECTRONIC OR MECHANICAL, WITHOUT THE WRITTEN PERMISSION OF THE ENGINEER.



1-14-21



DOLLAR GENERAL BUILDING
Prototype 9100 SF B
Store # 22718

DG Woodstock
Bells Ferry Rd.
Woodstock, GA

CONSTRUCTION DOCUMENTS

PROJECT NO.: 8095.97
ISSUED: 01/15/2021

HVAC NOTES & SCHEDULES

DISCLAIMER NOTICE:
THE DESIGN BASIS FOR THESE DOCUMENTS WERE BASED ON THE STANDARD PROTOTYPE DRAWING PROVIDED TO US BY DOLLAR GENERAL. BROUGHT THEIR OWNERS REPRESENTATIVE. THE GENERAL CONTRACTOR SHALL BE RESPONSIBLE FOR FIELD VERIFYING ALL EXISTING CONDITIONS PRIOR TO COMMENCING WITH ANY SITE WORK, MATERIALS, FORMWORK, BUILDING FABRICATION, ETC. ANY DISCREPANCIES BETWEEN THESE DOCUMENTS AND ACTUAL FIELD CONDITIONS SHALL BE BROUGHT TO THE ATTENTION OF THE ARCHITECT PRIOR TO ANY WORK BEING DONE. ANY REQUIRED ENGINEERING CHANGES TO MATCH THE EXISTING SITE CONDITIONS SHALL BE TREATED AS ADDITIONAL SERVICES.

M1.0