

- FOUNDATION PLAN NOTES:**
- FLOOR SLAB SHALL BE 4" THICK CONCRETE REINF W/ 6x6 W/ 4x4 W/ 4 W/ 6 MIN. POLYETHYLENE MOISTURE BARRIER WITH JOINTS LAPPED AT LEAST 6" ON COMPACTED SUBGRADE. (SEE SLAB ON GRADE DETAILS FOR PLACEMENT OF REINF)
  - T/ SLAB EL = 105'-0", UNO (REFERENCE ONLY) SEE CIVIL FOR ACTUAL ELEVATION.
  - T/ INT FTG EL = 99'-4", UNO (REFERENCE ONLY) SEE PEMB DWGS FOR REQUIRED ELEVATION.
  - SEE FOUNDATION DESIGN INFORMATION THIS SHEET FOR NET ALLOWABLE SOIL BEARING PRESSURE.
  - SEE ANCHOR BOLT SCHEDULE THIS SHEET.
  - FOUNDATIONS ARE DESIGNED FOR LOADS SHOWN IN "REACTION SCHEDULES" THIS SHEET. METAL BUILDING MANUFACTURER TO NOTIFY ENGINEER IF LOADS DIFFER SIGNIFICANTLY FROM THOSE SHOWN. COL BASES ARE ASSUMED "PIN" CONNECTED. MOMENT CONNECTED BASES ARE NOT ALLOWED.
  - FOR LATERAL DEFLECTION DESIGN CRITERIA SEE SCHEDULE ON GENERAL NOTES SHEET.
  - COORDINATE EDGE OF SLAB WITH BUILDING MFR FOR REQUIRED CLOSURE DETAILS.
  - SEE ARCHITECTURAL DRAWINGS FOR INTERIOR WALL DIMENSIONS, ROOF SLOPES, ELEVATIONS, ETC.
  - SEE SHEET S01 & S02 FOR STRUCTURAL GENERAL NOTES.
  - MAINTAIN STRUCTURAL SLAB THICKNESS AT ALL FLOOR SLOPES AND DEPRESSIONS.

**PRE-ENGINEERED METAL BUILDING ANCHOR BOLT SCHEDULE**

* DIAMETER (D)	** MPRAM EMBEDMENT (E)
1/2"	6"
5/8"	6"
3/4"	10"
7/8"	12"
1"	14"
1 1/8"	18"
1 1/4"	18"

ASTM A36 STEEL  
3000 PSI CONC

NOTES:  
1. SEE GEN NOTES FOR ANCHOR BOLT INFO.  
2. GC HAS THE OPTION TO PREN THREADS RATHER THAN TACK WELD TO PREVENT MOVEMENT OF NUT AT BASE OF ANCHOR BOLT.  
3. GC HAS THE OPTION TO USE J-BOLTS IN LIEU OF THE ANCHOR BOLTS SHOWN ABOVE.

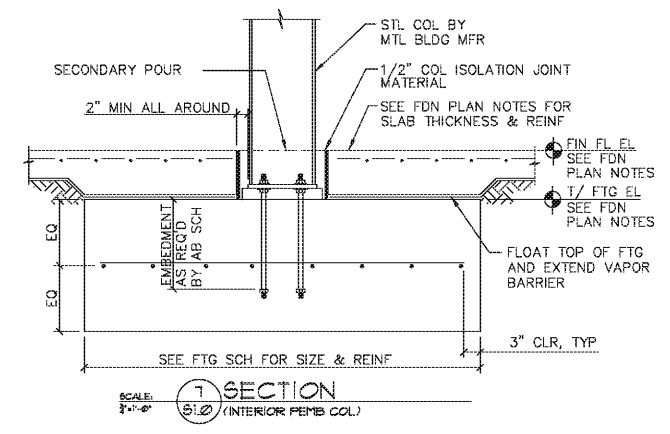
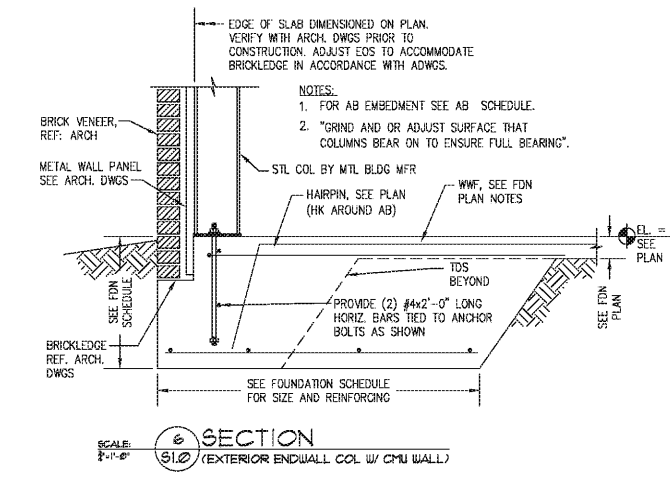
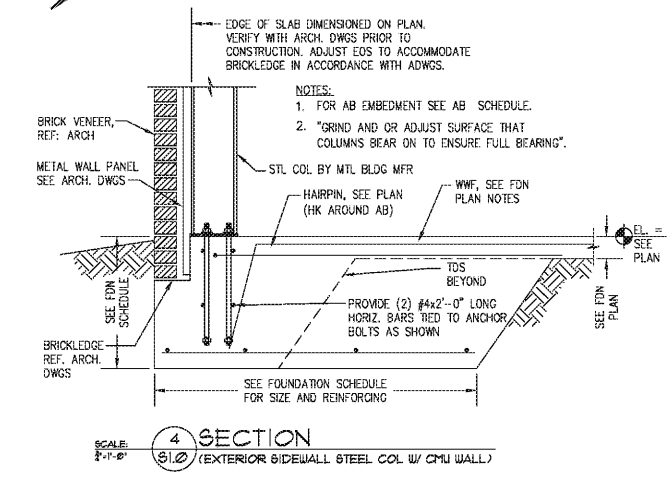
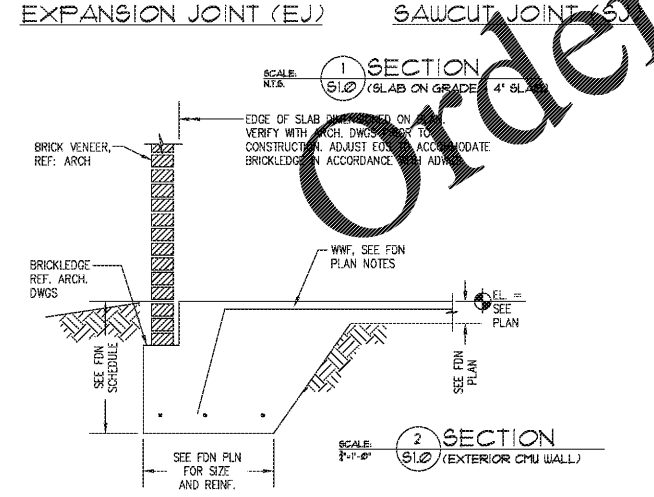
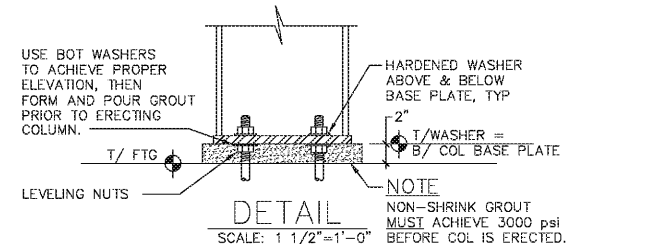
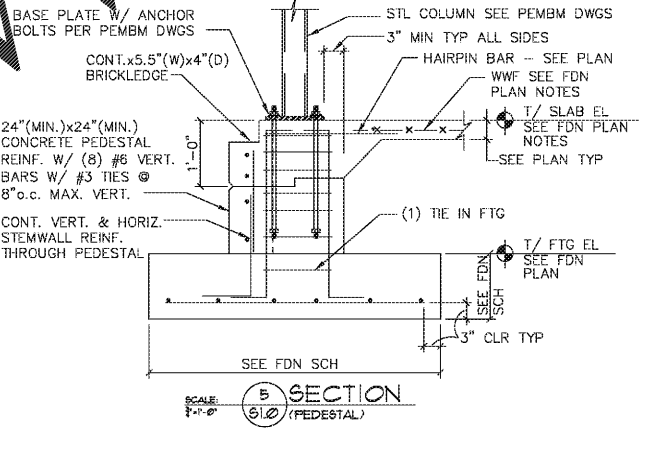
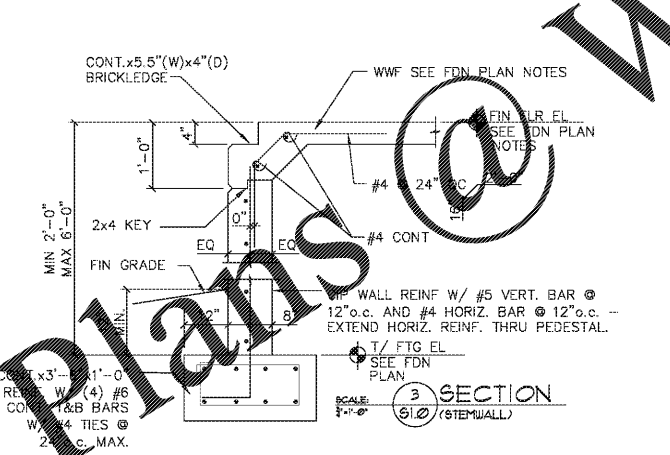
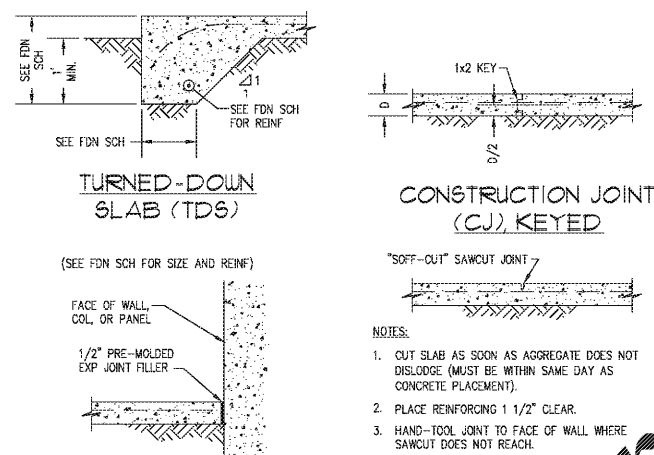
**FOUNDATION SCHEDULE**

MARK	SIZE (L x W x D)	REINFORCING	REMARKS
F1	4'-0"x4'-0"x2'-0"	(5) #6 EACH WAY BOT BARS	
F2	5'-6"x5'-6"x2'-0"	(7) #6 EACH WAY BOT BARS	
F3	6'-0"x6'-0"x2'-0"	(7) #6 EACH WAY BOT BARS	
F4	7'-0"x6'-0"x2'-0"	(7) #6 SW & (7) #6 LW BOT BARS	
F5	4'-0"x4'-0"x2'-0"	(6) #6 EACH WAY BOT BARS	
F6	6'-0"x5'-6"x1'-0"	(6) #6 EACH WAY BOT BARS	
F7	6'-0"x5'-6"x1'-6"	(7) #6 EACH WAY BOT BARS	
TDS1	CONT. x1'-0"x2'-0"	(2) #5 CONT. BOT BARS	TYPICAL @ PERIMETER W/O BRICK/CMU WALL
TDS2	CONT. x2'-0"x2'-0"	(3) #5 CONT. BOT BARS	TYPICAL @ PERIMETER W/ BRICK/CMU WALL

**FOUNDATION DESIGN INFORMATION:**

NET ALLOWABLE SOIL BEARING PRESSURE = 3,000 PSF  
PER SOILS REPORT PREPARED BY TERRACON CONSULTANTS, INC.  
DESIGNATED REPORT NO. 48205200, DATED: 10-2-20

NOTES:  
1. REQUIRED SOIL-BEARING CAPACITY STATED ABOVE SHALL BE VERIFIED IN FIELD BY GEOTECHNICAL ENGINEER AT TIME OF EXCAVATION.  
2. FOOTINGS SHALL BARE A MINIMUM OF 18" BELOW FINISHED GRADE. SHOULD CONDITIONS AT THE SITE NOT ALLOW FOR THIS TO OCCUR, EOR SHALL BE NOTIFIED PRIOR TO EXCAVATION FOR DETERMINATION OF REMEDIAL ACTION NECESSARY.



**DISCLAIMER:**  
THE DESIGN BASIS FOR THESE DOCUMENTS WERE BASED ON THE STANDARD PROTOTYPE DRAWINGS... THE GENERAL CONTRACTOR SHALL BE RESPONSIBLE FOR FIELD VERIFYING ALL EXISTING CONDITIONS PRIOR TO COMMENCING WITH ANY SITE WORK... ANY DISCREPANCIES BETWEEN THESE DOCUMENTS AND ACTUAL FIELD CONDITIONS SHALL BE BROUGHT TO THE ATTENTION OF THE ARCHITECT PRIOR TO ANY NEW BIDDING. ANY REQUIRED ENGINEERING CHANGES TO MATCH THE EXISTING SITE CONDITIONS SHALL BE TREATED AS ADDITIONAL SERVICES.

**Robert E. Walker, IV**  
Architect  
2229 FIRST AVE. SOUTH  
SUITE 110  
BIRMINGHAM, Alabama  
35233  
T-205.254.3212  
F-205.254.3269

**ROBERT M. BEATTIE, PE**  
2825 GREAT OAK CREEK - DUNWOODY, GA 30134  
PUNY PHONE LINE: 404.251.1000 - FAX: 404.251.1000  
WEBSITE: WWW.PEMBA.COM - EMAIL: RBE@PEMBA.COM



**DOLLAR GENERAL BUILDING**  
Prototype 9100 SF B  
Store # 22718  
DG Woodstock  
Bells Ferry Rd.  
Woodstock, GA

**CONSTRUCTION DOCUMENTS**

PROJECT NO.: 8095.97  
ISSUED: 01/15/2021

**FOUNDATION PLAN, SECTIONS & SCHEDULES**

**S1.0**