

CRITICAL WORK ZONE EROSION CONTROL NOTES:

SHADED AREAS SHOWN ON GRADING PHASE EROSION CONTROL PLANS REPRESENT CRITICAL WORK ZONES AT THE END OF EACH WORK DAY ALL SLOPES 2:1 OR STEEPER AND HIGHER THAN 3 FEET SHALL RECEIVE SURFACE ROUGHENING POLYMERS AND EROSION CONTROL MATTING. ADDITIONALLY, ALL FILL SLOPES SHALL RECEIVE A DIVERSION DIKE AND TEMPORARY DOWN DRAINS ALONG THE TOP OF THE SLOPE PREVENTING DRAINAGE SPILLING OVER THE FACE OF THE SLOPE. THE TEMPORARY DOWN DRAINS SHALL BE CONSTRUCTED WITH PERFORATED STAND PIPES AT THE TOP OF THE SLOPE AND RECONSTRUCTED EACH DAY AS THE SLOPE INCREASES IN HEIGHT.

CLEARING PHASE EROSION CONTROL NOTES:

PRIOR TO THE LAND DISTURBING CONSTRUCTION, THE CONTRACTOR SHALL SCHEDULE A PRE-CONSTRUCTION MEETING WITH THE AREA SITE INSPECTOR. THE CONTRACTOR SHALL OBSERVE THE PROTECT SEQUENCE SHOWN ON THE PLANS. THE CONTRACTOR SHALL MAINTAIN CAREFUL SCHEDULING AND PERFORMANCE TO INSURE THAT LAND STRIPPED OF ITS NATURAL COVER IS EXPOSED ONLY IN SMALL QUANTITIES. THE OWNER AGREES TO PROVIDE AND MAINTAIN OFF-STREET PARKING ON THE SUBJECT PROPERTY DURING THE ENTIRE CONSTRUCTION PERIOD.

NO STAGING AREAS, MATERIAL STORAGE, CONCRETE WASH OUT AREAS, OR DEBRIS BURN AND BURIAL HOLES SHALL BE LOCATED WITHIN 500 FEET OF DESIGNATED TREE PROTECTION AREAS. A COPY OF THE APPROVED LAND DISTURBANCE PLAN AND PERMIT SHALL BE PRESENT ON THE SITE AT ALL TIMES.

THE ESCAPE OF SEDIMENT FROM THE SITE SHALL BE PREVENTED BY THE INSTALLATION OF EROSION AND SEDIMENT CONTROL MEASURES PRIOR TO, OR CONCURRENT WITH, LAND-DISTURBING ACTIVITIES. PRIOR TO COMMENCING LAND DISTURBANCE ACTIVITY, THE LIMITS OF LAND DISTURBANCE SHALL BE CLEARLY AND ACCURATELY DEMARCATED WITH STRIKES, ARROWS, DOTS AND APPROPRIATE MEANS. THE LOCATION, NUMBER AND EXTENT OF ALL AUTHORIZED LAND DISTURBANCE ACTIVITY SHALL BE DEMARCATED FOR THE DURATION OF THE CONSTRUCTION ACTIVITY. NO LAND DISTURBANCE SHALL OCCUR OUTSIDE THE APPROVED LIMITS INDICATED ON THE APPROVED PLANS.

PRIOR TO ANY OTHER CONSTRUCTION, A STABILIZED CONSTRUCTION ENTRANCE SHALL BE CONSTRUCTED AT EACH POINT OF ENTRY TO OR EXIT FROM THE SITE OR ON ANY PUBLIC ROADS. THE FOLLOWING EROSION INLET EROSION CONTROL MEASURES SHALL BE IMPLEMENTED PRIOR TO ANY OTHER CONSTRUCTION ACTIVITY:
1. THE CONSTRUCTION EXIT, CONSISTING OF A MINIMUM PAD SIZE OF 20 FEET BY 50 FEET WITH A MINIMUM OF 8" THICK STONE, SHALL BE PLACED AS SHOWN ON THE PLANS. THE STONE SHALL BE 1 1/2" TO 2" IN DIAMETER AND OVERLAP ON A GEOTEXTILE UNDERLAYER. THE GEOTEXTILE UNDERLAYER SHALL MEET THE REQUIREMENTS OF ASTM D4282-96, SECTION 7.3 SEPARATION REQUIREMENTS.

2. IMMEDIATELY AFTER THE ESTABLISHMENT OF CONSTRUCTION ENTRANCE/EXITS, ALL PERIMETER EROSION CONTROL AND STORM WATER MANAGEMENT DEVICES SHALL BE INSTALLED AS SHOWN ON THE CLEARING PHASE EROSION CONTROL PLAN.

3. TYPE "S" SILT FENCE SHALL BE INSTALLED AT THE PERIMETER OF THE DISTURBED AREA AS SHOWN ON THE PLAN. THE SILT FENCE SHOULD BE PLACED IN ACCORDANCE WITH THE MANUAL FOR EROSION CONTROL IN GEORGIA, TABLE 6-20.2. THE SILT FENCE SHOULD BE KEPT ERECT AT ALL TIMES AND REPAIRED WHEN REQUESTED BY THE SITE INSPECTOR OR THE PROJECT DESIGN PROFESSIONAL OF RECORD. SILT SHOULD BE REMOVED WHEN ACCUMULATION REACHES 1/2 HEIGHT OF THE BARRIER. THE PERIMETER SILT FENCE SHOULD BE INSPECTED DAILY FOR FAILURES. ANY FAILURES OF SAID FENCING SHOULD BE REPAIRED IMMEDIATELY.

4. INLET SEDIMENT PROTECTION MEASURES SHALL BE INSTALLED ON ALL EXISTING STORM STRUCTURES AS SHOWN ON THE PLAN. SEE SEPARATE DETAILS FOR SPECIFICS OF TYPE OF INLET PROTECTION SPECIFIED.
5. TREE PROTECTION FENCING SHOULD BE INSTALLED PRIOR TO THE START OF ANY LAND DISTURBANCE ACTIVITY AND MAINTAINED UNTIL FINAL LANDSCAPE IS INSTALLED. TREE PROTECTION FENCING SHOULD BE REPAIRED IMMEDIATELY.

AFTER INSTALLATION OF INITIAL EROSION CONTROL MEASURES THE SITE CONTRACTOR SHALL SCHEDULE AN INSPECTION BY THE PROJECT DESIGN PROFESSIONAL. NO OTHER CONSTRUCTION ACTIVITIES SHALL OCCUR UNTIL THE PROJECT DESIGN PROFESSIONAL APPROVES THE INSTALLATION OF SAID EROSION CONTROL MEASURES. IF REQUESTED BY THE DESIGN PROFESSIONAL IN THE FIELD THAT WARRANT ADDITIONAL EROSION CONTROL MEASURES, THE CONTRACTOR SHALL CONSTRUCT TEMPORARY EROSION CONTROL DEVICES DEEMED NECESSARY BY THE SITE INSPECTOR.

AFTER APPROVAL OF THE INITIAL EROSION CONTROL INSTALLATION, THE CONTRACTOR MAY PROCEED WITH CLEARING AND GRUBBING ACTIVITIES. AS CLEARING PERMITS THE CONTRACTOR SHALL CONSTRUCT TEMPORARY SEDIMENT POND AND DIVERSION DIKES AS SHOWN ON THE CLEARING PHASE PLAN TO CONTROL EROSION AND STORM WATER.

THE CONTRACTOR CAN UTILIZE CLEARING TREES AS BARRIER BRUSH SEDIMENT CONTROL MEASURES ON PLAN WHERE INITIAL GRADING ACTIVITIES WILL NOT OCCUR. ADDITIONAL SILT BARRIERS MUST BE PLACED AS SHOWN ON THE PLAN AS ACCESS IS OBTAINED DURING CLEARING. NO GRUBBING SHALL TAKE PLACE UNTIL SILT FENCE INSTALLATION AND SEDIMENT PONDS ARE CONSTRUCTED AS SHOWN ON THE CLEARING PHASE EROSION CONTROL PLAN.

ALL SILT FENCE MUST MEET THE REQUIREMENTS OF SECTION 171-TEMPORARY EROSION CONTROL MEASURES, STATE OF GEORGIA STANDARD SPECIFICATIONS, 1983 EDITION.

ALL ITEMS IN THE SECTION OF THE SPECIFICATIONS SHALL MEET THE REQUIREMENTS AS SET FORTH IN SECTION 161, 162, 163, AND 164 OF THE GEORGIA D.O.T. STANDARD SPECIFICATIONS FOR ROADS AND BRIDGES. MULCH OR TEMPORARY GRASS SHALL BE APPLIED TO ALL EXPOSED AREAS WITHIN 7 DAYS OF LAND DISTURBANCE. ALL DISTURBED AREAS LEFT MULCHED AFTER 30 DAYS SHALL BE STABILIZED WITH TEMPORARY VEGETATION.

SEDIMENT AND EROSION CONTROL MEASURES SHOULD BE CHECKED AFTER EACH RAIN EVENT. EACH DEVICE IS TO BE MAINTAINED OR REPLACED IF SEDIMENT ACCUMULATION HAS REACHED 1/2 THE CAPACITY OF THE DEVICE. ADDITIONAL DEVICES MUST BE INSTALLED IF NEW CHANNELS HAVE DEVELOPED. THE CONSTRUCTION EXIT SHALL BE MAINTAINED IN A CONDITION WHICH WILL PREVENT TRACK OR FLOW OF MUD ONTO PUBLIC RIGHT OF WAY. THIS MAY REQUIRE PERIODIC TOP DRESSING WITH 1-3" STONE AS CONDITIONS DEMAND. ALL MATERIALS SPILLED, DROPPED, WASHED, OR TRACKED FROM VEHICLE ONTO PUBLIC ROADWAY OR INTO STORM DRAIN MUST BE REMOVED IMMEDIATELY.

CONTRACTOR SHALL INSPECT CONTROL MEASURES AT THE END OF EACH WORKING DAY TO ENSURE MEASURES ARE FUNCTIONING PROPERLY. EROSION CONTROL MEASURES WILL BE MAINTAINED AT ALL TIMES. IF FULL IMPLEMENTATION OF THE APPROVED PLAN DOES NOT PROVIDE FOR EFFECTIVE EROSION CONTROL, ADDITIONAL EROSION AND SEDIMENT CONTROL MEASURES SHALL BE IMPLEMENTED TO CONTROL OR TREAT THE SEDIMENT SOURCE AS DIRECTED BY THE ON SITE INSPECTOR OR CIVIL ENGINEER.

FAILURE TO INSTALL, OPERATE, OR MAINTAIN ALL EROSION CONTROL MEASURES WILL RESULT IN ALL CONSTRUCTION BEING STOPPED ON THE JOB UNTIL SUCH MEASURES ARE CORRECTED BACK TO THE APPROVED EROSION CONTROL PLANS.

UPON COMPLETION OF THE PROJECT AND RECEIPT OF CERTIFICATE OF OCCUPANCY, THE CONTRACTOR SHALL REMOVE ALL TEMPORARY EROSION CONTROL MEASURES AND DISPOSE OF THEM UNLESS NOTED ON PLANS.

GRADING PHASE EROSION CONTROL NOTES:
DURING CONSTRUCTION THE CONTRACTOR SHALL MAINTAIN CAREFUL SCHEDULING AND PERFORMANCE TO INSURE THAT LAND STRIPPED OF ITS NATURAL GROUND COVER IS EXPOSED ONLY IN SMALL QUANTITIES THEREFORE LIMITED DURATIONS, BEFORE PERMANENT EROSION PROTECTION IS ESTABLISHED. NOTE SUB PHASES SHOWN ON PLAN.

EARTHWORK OPERATIONS IN THE VICINITY OF STREAM BUFFERS SHALL BE CAREFULLY CONTROLLED TO AVOID DUMPING OR SLOUGHING INTO THE BUFFER AREAS.
THE FOLLOWING EROSION CONTROL MEASURES SHALL BE IMPLEMENTED DURING THE PRELIMINARY GRADING PHASE OF CONSTRUCTION:
SEDIMENT SHALL NOT BE WASHED INTO INLETS. IT SHALL BE REMOVED FROM THE SEDIMENT TRAPS AND DISPOSED OF AND STABILIZED SO THAT IT WILL NOT ENTER THE INLETS AGAIN.

EROSION CONTROL DEVICES SHALL BE INSTALLED IMMEDIATELY AFTER GROUND DISTURBANCE OCCURS. THE LOCATION OF SOME OF THE EROSION CONTROL DEVICES MAY HAVE TO BE ALTERED FROM THAT SHOWN ON THE APPROVED PLANS IF DRAINAGE PATTERNS DURING CONSTRUCTION ARE DIFFERENT FROM THE DRAINAGE PATTERNS SHOWN ON THE PLANS. THE CONTRACTOR'S RESPONSIBILITY TO ACCOMPLISH EROSION CONTROL FOR ALL DRAINAGE PATTERNS CREATED BY MAJOR STAGES DURING CONSTRUCTION. ANY DIFFICULTY IN CONTROLLING EROSION DURING ANY PHASE OF CONSTRUCTION SHALL BE REPORTED TO THE DESIGN PROFESSIONAL IMMEDIATELY.

GRADING PHASE NOTES CONTINUED...

THE CONTRACTOR SHALL FURNISH AND MAINTAIN ALL NECESSARY BARRIERS WHILE ROADWAY FRONTAGE IMPROVEMENTS ARE BEING MADE. TYPE "S" SILT FENCE SHOULD BE INSTALLED AT THE TOP OF ALL FILL SLOPES TO 10 FEET OR GREATER IN HEIGHT. THE SILT FENCE SHOULD BE PLACED IN ACCORDANCE WITH THE MANUAL FOR EROSION CONTROL IN GEORGIA, TABLE 6-20.2. THE SILT FENCE SHALL BE MAINTAINED UNTIL PERMANENT GROUND COVER IS ESTABLISHED ON THE SLOPE. SILT SHALL BE REMOVED WHEN ACCUMULATION REACHES 1/2 HEIGHT OF THE BARRIER. ADDITIONALLY, DRAINAGE SPILLING OVER THE FACE OF THE SLOPE SHALL BE PREVENTED BY THE USE OF TEMPORARY DOWN DRAINS TO CONTROL THE STORM WATER RUN OFF AS SHOWN ON THE PLANS.

THE CONTRACTOR SHALL BE RESPONSIBLE FOR ESTABLISHING BARRIERS AT THE TOP OF SLOPES UNDER CONSTRUCTION. BARRIERS SHALL BE SHOWN IN THE PLANS. THESE BARRIERS MAY BE RELOCATED AND REUSED AFTER PERMANENT SLOPE STABILIZATION BECOMES FEASIBLE. BARRIERS AS THEY ARE RELOCATED, ANY DEBRIS AND SILT AT THE PREVIOUS LOCATION SHALL BE REMOVED.
CUT AND FILL SLOPES ARE NOT TO EXCEED "2H:1V". ALL SLOPES STEEPER THAN 2.5:1 AND WITH A HEIGHT OF 10 FEET OR GREATER, AND CUTS AND FILLS WITHIN STREETS SHALL BE STABILIZED WITH APPROPRIATE EROSION CONTROL MATTING OR BLANKETS. SEE SEPARATE DETAILS FOR ADDITIONAL INFORMATION.

TYPE "S" SILT FENCE SHALL BE PLACED AT THE TOE OF ALL DIRT STOCK PILE AREAS. SEE SEPARATE DETAILS FOR ADDITIONAL INFORMATION.

INLET SEDIMENT PROTECTION MEASURES SHALL BE INSTALLED ON ALL STORM STRUCTURES AS THEY ARE CONSTRUCTED. SEE PLAN VIEW FOR SPECIFIC TYPE AND SEPARATE DETAILS FOR ADDITIONAL INFORMATION ON TYPE OF INLET PROTECTION SPECIFIED.
STORM DRAIN OUTLET PROTECTION SHALL BE PLACED AT ALL OUTLET HEADWALLS AS SOON AS HEADWALL IS CONSTRUCTED. SEE SEPARATE DETAILS FOR ADDITIONAL INFORMATION.

ALL DRAINAGE SWALES SHALL BE APPLIED WITH VEGETATIVE COVER AS SOON AS FINAL GRADE IS ACHIEVED.
ALL GRADED AREAS SHALL BE APPLIED WITH VEGETATIVE COVER AS SOON AS FINAL GRADE IS ACHIEVED.
MULCH OR TEMPORARY GRASSING SHALL BE APPLIED TO ALL EXPOSED AREAS WITHIN 5 DAYS OF LAND DISTURBANCE.

ALL DISTURBED AREAS LEFT MULCHED AFTER 14 DAYS SHALL BE STABILIZED WITH TEMPORARY GRASSING.
AFTER PRELIMINARY GRADING ACTIVITIES, THE CONTRACTOR SHALL CONSTRUCT THE PERMANENT STORMWATER POND AND INSTALL A SKIMMER AS SHOWN ON THE PLANS. THE CONTRACTOR SHALL MAINTAIN THE STORMWATER POND UNTIL PERMANENT GROUND COVER IS ESTABLISHED. SEDIMENT SHALL BE CLEANED OUT OF THE POND WHEN IT REACHES 1/3 DEPTH OF BASIN. SEE SEPARATE DETAILS FOR ADDITIONAL INFORMATION.
SEDIMENT AND EROSION CONTROL MEASURES SHOULD BE CHECKED AFTER EACH RAIN EVENT. EACH DEVICE IS TO BE MAINTAINED OR REPLACED IF SEDIMENT ACCUMULATION HAS REACHED 1/2 THE CAPACITY OF THE DEVICE. ADDITIONAL DEVICES MUST BE INSTALLED IF NEW CHANNELS HAVE DEVELOPED.

THE CONSTRUCTION EXIT SHALL BE MAINTAINED IN A CONDITION WHICH WILL PREVENT TRACK OR FLOW OF MUD ONTO PUBLIC RIGHT OF WAY. THIS MAY REQUIRE PERIODIC TOP DRESSING WITH 1-3" STONE AS CONDITIONS DEMAND. ALL MATERIALS SPILLED, DROPPED, WASHED, OR TRACKED FROM VEHICLE ONTO PUBLIC ROADWAY OR INTO STORM DRAIN MUST BE REMOVED IMMEDIATELY.

CONTRACTOR SHALL INSPECT CONTROL MEASURES AT THE END OF EACH WORKING DAY TO ENSURE MEASURES ARE FUNCTIONING PROPERLY. EROSION CONTROL MEASURES WILL BE MAINTAINED AT ALL TIMES. IF FULL IMPLEMENTATION OF THE APPROVED PLAN DOES NOT PROVIDE FOR EFFECTIVE EROSION CONTROL, ADDITIONAL EROSION AND SEDIMENT CONTROL MEASURES SHALL BE IMPLEMENTED TO CONTROL OR TREAT THE SEDIMENT SOURCE AS DIRECTED BY THE ON SITE INSPECTOR OR CIVIL ENGINEER.

FAILURE TO INSTALL, OPERATE, OR MAINTAIN ALL EROSION CONTROL MEASURES WILL RESULT IN ALL CONSTRUCTION BEING STOPPED ON THE JOB UNTIL SUCH MEASURES ARE CORRECTED BACK TO THE APPROVED EROSION CONTROL PLANS.

FINAL PHASE EROSION CONTROL NOTES:
THE FOLLOWING EROSION CONTROL MEASURES SHALL BE IMPLEMENTED DURING THE FINAL EROSION CONTROL PHASE OF CONSTRUCTION:
SEDIMENT SHALL NOT BE WASHED INTO INLETS. IT SHALL BE REMOVED FROM THE SEDIMENT TRAPS AND DISPOSED OF AND STABILIZED SO THAT IT WILL NOT ENTER THE INLETS AGAIN.
MULCH OR TEMPORARY GRASSING SHALL BE APPLIED TO ALL EXPOSED AREAS WITHIN 7 DAYS OF LAND DISTURBANCE.

ALL DISTURBED AREAS LEFT MULCHED AFTER 30 DAYS SHALL BE STABILIZED WITH TEMPORARY GRASSING.
THE CONTRACTOR SHALL MAINTAIN ALL SEDIMENT PONDS AND EROSION CONTROL MEASURES UNTIL COVER IS ESTABLISHED. SEDIMENT SHALL BE CLEANED OUT OF THE PONDS WHEN IT REACHES THE HALF WAY POINT ON THE RISER.

AFTER CURBING, GRADED AGGREGATE BASE, AND PAVEMENT HAS BEEN INSTALLED, ALL INLET SEDIMENT TRAPS ON AND THROUGH WING CATCH BASINS ALONG WITH ANY CURB INLETS SHALL BE REMOVED AND REPLACED WITH CURB FILTER INLET PROTECTION. SEE SEPARATE DETAIL FOR ADDITIONAL INFORMATION.

ALL ROADWAY AND PARKING SHOULDERS SHALL BE APPLIED WITH VEGETATIVE COVER AS SOON AS FINAL GRADE IS ACHIEVED BEHIND CURBS.
SEDIMENT AND EROSION CONTROL MEASURES SHOULD BE CHECKED AFTER EACH RAIN EVENT. EACH DEVICE IS TO BE MAINTAINED OR REPLACED IF SEDIMENT ACCUMULATION HAS REACHED 1/2 THE CAPACITY OF THE DEVICE. ADDITIONAL DEVICES MUST BE INSTALLED IF NEW CHANNELS HAVE DEVELOPED.

THE CONSTRUCTION EXIT SHALL BE MAINTAINED IN A CONDITION WHICH WILL PREVENT TRACK OR FLOW OF MUD ONTO PUBLIC RIGHT OF WAY. THIS MAY REQUIRE PERIODIC TOP DRESSING WITH 1-3" STONE AS CONDITIONS DEMAND. ALL MATERIALS SPILLED, DROPPED, WASHED, OR TRACKED FROM VEHICLE ONTO PUBLIC ROADWAY OR INTO STORM DRAIN MUST BE REMOVED IMMEDIATELY.

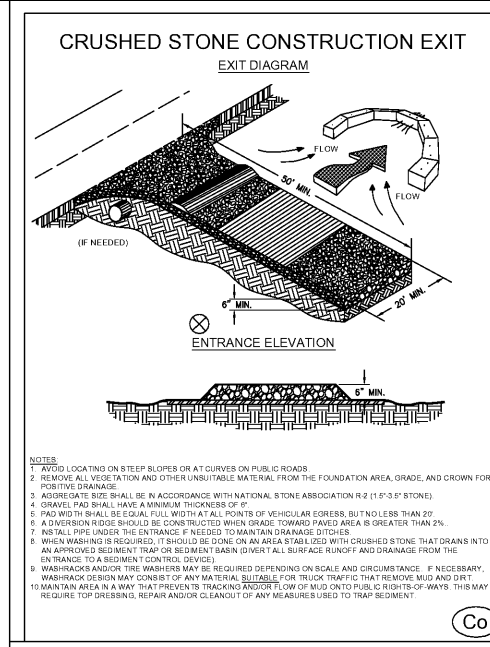
CONTRACTOR SHALL INSPECT CONTROL MEASURES AT THE END OF EACH WORKING DAY TO ENSURE MEASURES ARE FUNCTIONING PROPERLY. EROSION CONTROL MEASURES WILL BE MAINTAINED AT ALL TIMES. IF FULL IMPLEMENTATION OF THE APPROVED PLAN DOES NOT PROVIDE FOR EFFECTIVE EROSION CONTROL, ADDITIONAL EROSION AND SEDIMENT CONTROL MEASURES SHALL BE IMPLEMENTED TO CONTROL OR TREAT THE SEDIMENT SOURCE AS DIRECTED BY THE ON SITE INSPECTOR OR CIVIL ENGINEER.

UPON COMPLETION OF THE PROJECT AND RECEIPT OF CERTIFICATE OF OCCUPANCY, THE CONTRACTOR SHALL REMOVE ALL TEMPORARY EROSION CONTROL MEASURES AND DISPOSE OF THEM UNLESS NOTED ON PLANS.

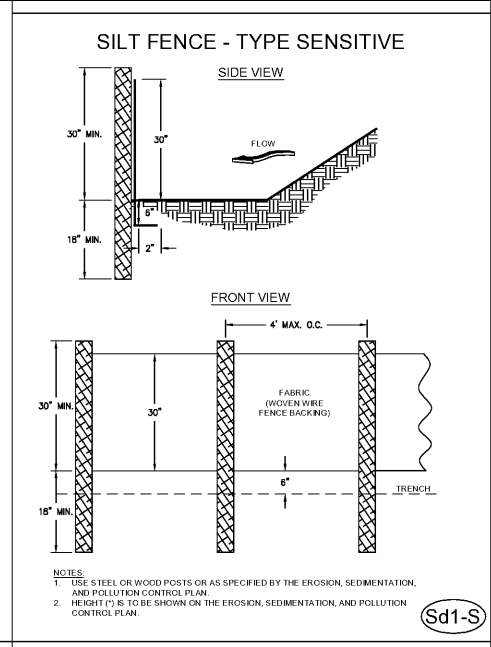
GRADING PHASE EROSION CONTROL NOTES:
DURING CONSTRUCTION THE CONTRACTOR SHALL MAINTAIN CAREFUL SCHEDULING AND PERFORMANCE TO INSURE THAT LAND STRIPPED OF ITS NATURAL GROUND COVER IS EXPOSED ONLY IN SMALL QUANTITIES THEREFORE LIMITED DURATIONS, BEFORE PERMANENT EROSION PROTECTION IS ESTABLISHED. NOTE SUB PHASES SHOWN ON PLAN.

EARTHWORK OPERATIONS IN THE VICINITY OF STREAM BUFFERS SHALL BE CAREFULLY CONTROLLED TO AVOID DUMPING OR SLOUGHING INTO THE BUFFER AREAS.
THE FOLLOWING EROSION CONTROL MEASURES SHALL BE IMPLEMENTED DURING THE PRELIMINARY GRADING PHASE OF CONSTRUCTION:
SEDIMENT SHALL NOT BE WASHED INTO INLETS. IT SHALL BE REMOVED FROM THE SEDIMENT TRAPS AND DISPOSED OF AND STABILIZED SO THAT IT WILL NOT ENTER THE INLETS AGAIN.

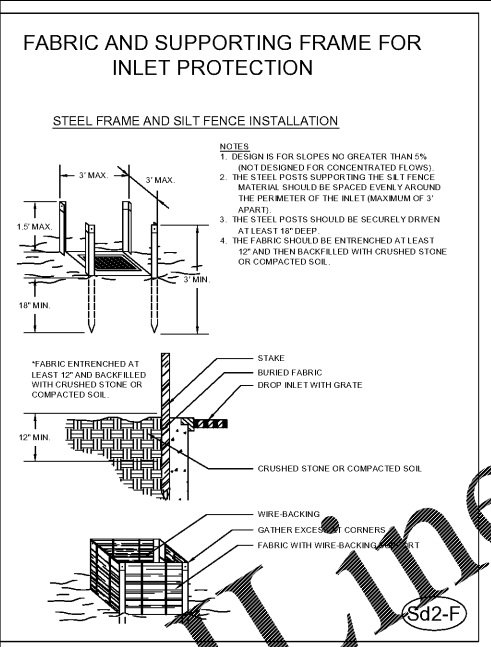
EROSION CONTROL DEVICES SHALL BE INSTALLED IMMEDIATELY AFTER GROUND DISTURBANCE OCCURS. THE LOCATION OF SOME OF THE EROSION CONTROL DEVICES MAY HAVE TO BE ALTERED FROM THAT SHOWN ON THE APPROVED PLANS IF DRAINAGE PATTERNS DURING CONSTRUCTION ARE DIFFERENT FROM THE DRAINAGE PATTERNS SHOWN ON THE PLANS. THE CONTRACTOR'S RESPONSIBILITY TO ACCOMPLISH EROSION CONTROL FOR ALL DRAINAGE PATTERNS CREATED BY MAJOR STAGES DURING CONSTRUCTION. ANY DIFFICULTY IN CONTROLLING EROSION DURING ANY PHASE OF CONSTRUCTION SHALL BE REPORTED TO THE DESIGN PROFESSIONAL IMMEDIATELY.



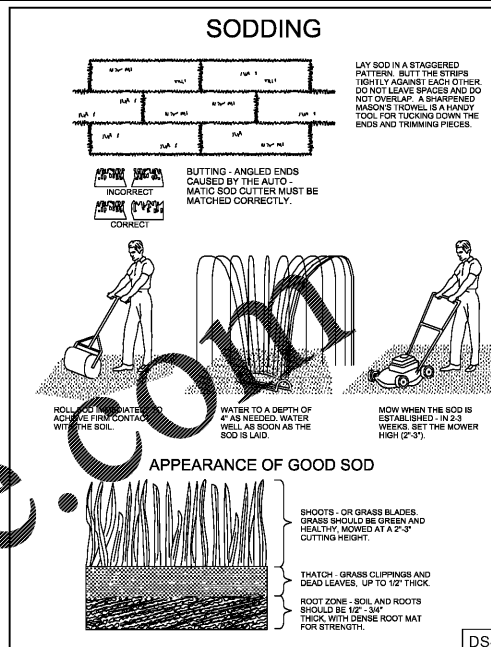
Co



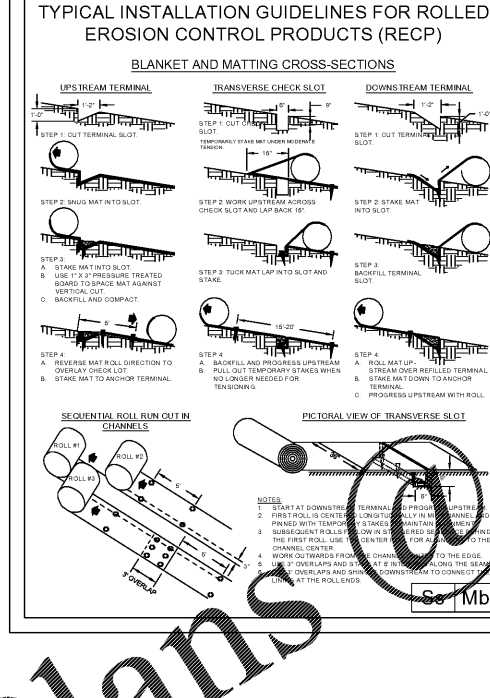
Sd1-S



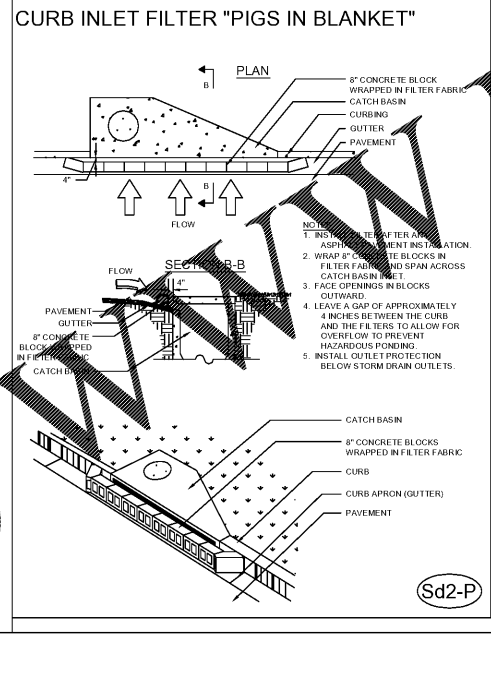
Sd2-F



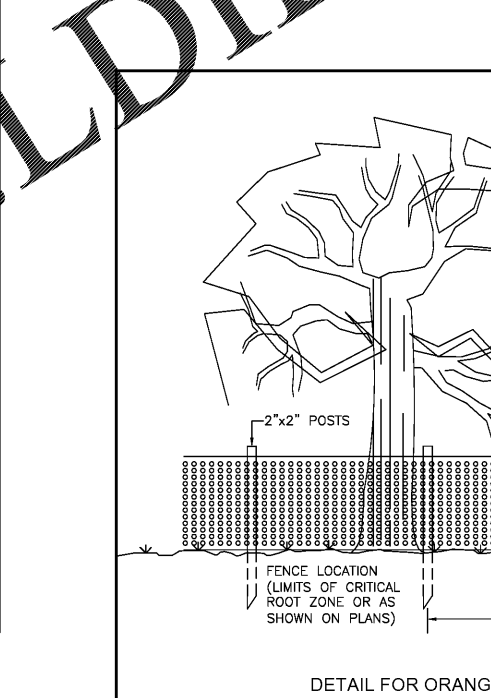
DS4



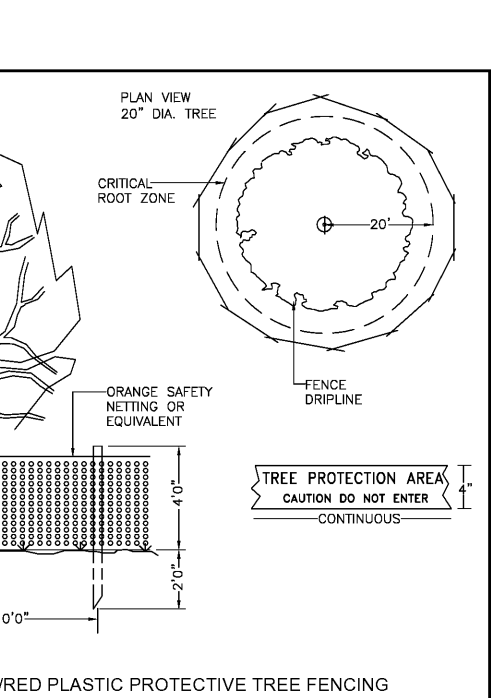
Sd1-Mb



Sd2-P



Sd2-F



Sd2-F

Table 6-6.1. Fertilizer Requirements for Surface Application

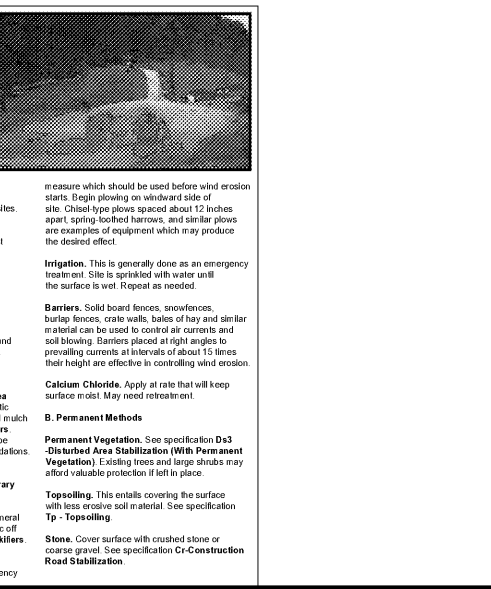
Fertilizer Type	Fertilizer Rate (lbs./acre)	Fertilizer Rate (lb./sq ft)	Season
10-10-10	100	0.25	Fall

Table 6-6.2 Sod Planting Requirements

Grass	Plantlet Resource	Growing Area	Season
Perennial ryegrass	Common	M-L,P,C	Warm
	Tifway	P,C	Weather
	Tifgreen	P,C	Weather
	Tiflawn	P,C	Weather
Bahiagrass	Pensacola	P,C	Warm
	Weather		Weather
Centipede	-	P,C	Warm
	Weather		Weather
St. Augustine	Common	C	Warm
	Bitterblue	C	Weather
	Raleigh	C	Weather
Zoysia	Emerald	P,C	Warm
	Myer	P,C	Weather
Tall Fescue	Kentucky	M-LP	Cool
	Weather		Weather

Table 6-6.3 Fertilizer Requirements for Sod

Types of Species	Planting Year	Fertilizer (N-P-K)	Rate (lbs./acre)	Nitrogen Top Dressing Rate (lbs./acre)
cool season grasses	first maintenance	6-12-12	1500	50-100
	second	6-12-12	1000	30
warm season grasses	first maintenance	6-12-12	1500	50-100
	second	6-12-12	800	50-100
	maintenance	10-10-10	400	30



Sd2-P

Rochester & Associates, Inc.
425 Oak Street N.W. • Gainesville, Georgia 30601
(770)718-0800 (770)718-9090 Fax • www.rochester-asso.com

DOLLAR GENERAL WOODSTOCK
LAND LOTS 682 & 683
OF THE "21ST STREET" SECTION
CHEROKEE COUNTY, GEORGIA

REVISIONS

NO.	DATE	DESCRIPTION
A	2.11.2021	2ND - SUBMITTAL - COUNTY COMMENTS

ANY CHANGES OR ALTERATIONS MADE TO THESE CONSTRUCTION DRAWINGS WITHOUT THE WRITTEN APPROVAL OF ROCHESTER & ASSOCIATES, INC. ARE VOID. THE SEAL SHOWN WITH THESE DRAWINGS IS VALID ONLY WHEN THESE ORIGINAL DRAWINGS ARE KEPT ON FILE FOR VERIFICATION OF ANY CHANGES.

ALLEN MARGAVICH
Level II Certified Design Professional
CERTIFICATION NUMBER 78219
ISSUED: 8/30/2019, EXPIRES: 8/30/2022

GEORGIA REGISTERED PROFESSIONAL ENGINEER
2.11.2021

SHEET **C-5.3** OF 18
DATE: 12/30/2020
SCALE: N.T.S.
JOB NO.: 0215090.DWG
DWG NO.: 001.DWG
DRAWN BY: JZL