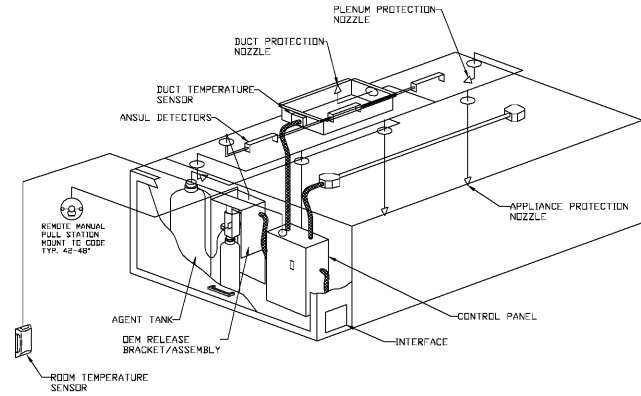


FIRE SYSTEM INFORMATION - JOB#4688340

FIRE SYSTEM NO	TAG	TYPE	SIZE	FLOW POINTS	INSTALLATION	
					SYSTEM	LOCATION ON HOOD
1	M-4G	ANSUL R102	3.0/3.0/3.0	26	FIRE CABINET LEFT	LEFT, HOOD 1

GAS VALVE(S)

FIRE SYSTEM NO	TAG	TYPE	SIZE	SUPPLIED BY
1	M-4G	MECHANICAL	2.000	CAPTIVEAIRE SYSTEMS



TYPICAL ANSUL R-102 SYSTEM LAYOUT

SPECIFICATIONS:

THE RESTAURANT FIRE SUPPRESSION SYSTEM SHALL BE THE PRE-ENGINEERED TYPE WITH A FIXED NOZZLE AGENT DISTRIBUTION NETWORK. IT SHALL BE LISTED WITH UNDERWRITERS LABORATORIES, INC. (UL)

THE SYSTEM SHALL BE CAPABLE OF AUTOMATIC DETECTION AND ACTUATION WITH LOCAL OR REMOTE MANUAL ACTUATION. ACCESSORIES SHALL BE AVAILABLE FOR MECHANICAL OR ELECTRICAL GAS LINE SHUT-OFF APPLICATIONS.

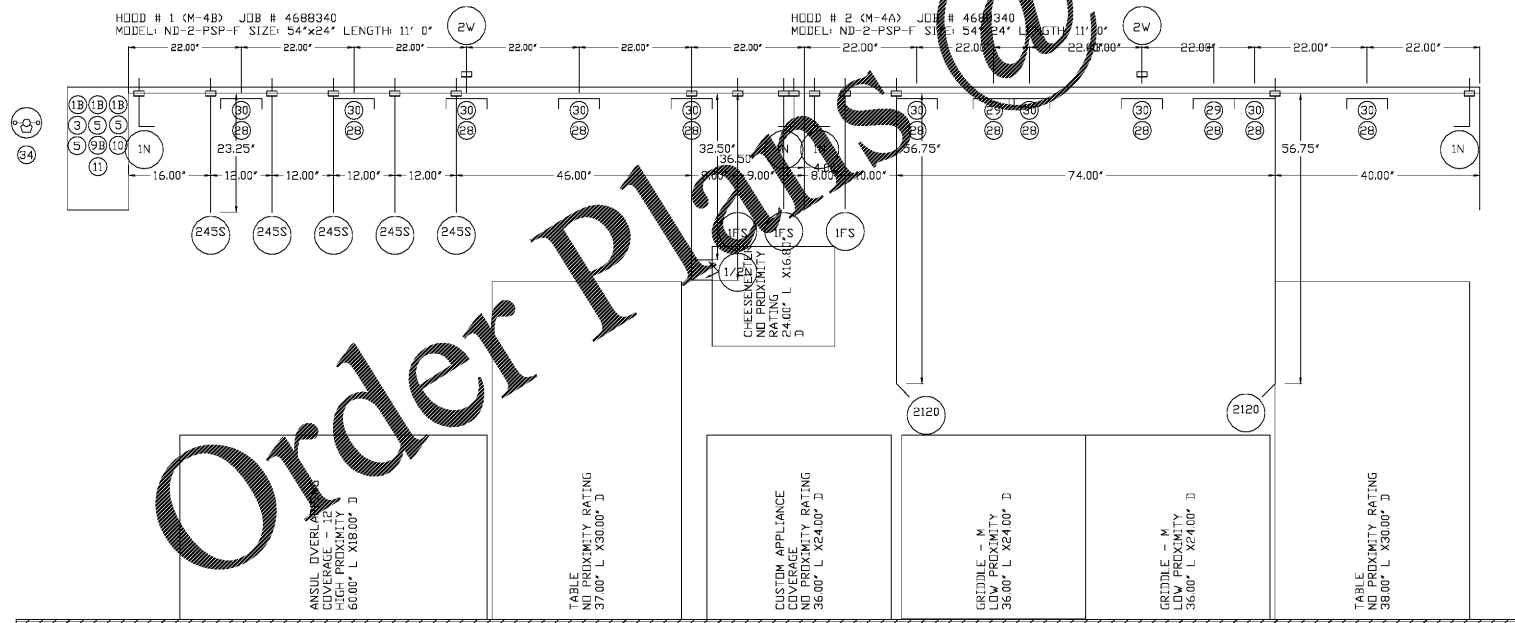
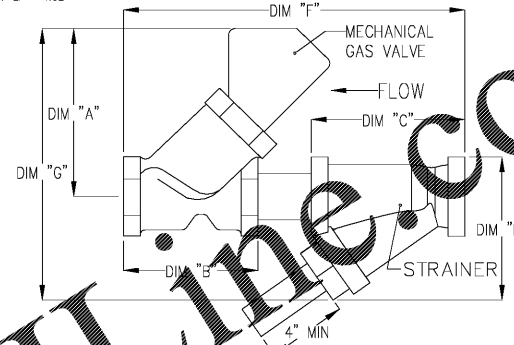
THE EXTINGUISHING AGENT SHALL BE A POTASSIUM CARBONATE, POTASSIUM ACETATE-BASED FORMULATION DESIGNED FOR FLAME KNOCKDOWN AND SECUREMENT OF GREASE RELATED FIRES. IT SHALL BE AVAILABLE IN PLASTIC CONTAINERS WITH INSTRUCTIONS FOR LIQUID AGENT HANDLING AND USAGE.

THE REGULATED RELEASE MECHANISM SHALL BE COMPATIBLE WITH A FUSIBLE LINK DETECTION SYSTEM. THE FUSIBLE LINK SHALL BE SELECTED AND INSTALLED ACCORDING TO THE OPERATING TEMPERATURE IN THE VENTILATING SYSTEM. THE FUSIBLE LINK SHALL BE SUPPORTED BY A DETECTOR BRACKET/LINKAGE ASSEMBLY.

GAS VALVES AND STRAINERS																
TYPE	SIZE	VOLTAGE	GAS VALVE SIZING		FLOW AT 1 IN.W.C. DROP NATURAL GAS	FLOW AT 1 IN.W.C. DROP PROPANE	GAS VALVE DIMENSIONS						INSTALLATION	PART NUMBERS		
			MIN. INLET PRESSURE	MAX. INLET PRESSURE			DIM "A"	DIM "B"	DIM "C"	DIM "D"	DIM "E"	DIM "F"		DIM "G"	MOUNTING ORIENTATION	GAS VALVE PART NUMBER
MECHANICAL	2"	N/A	0 PSI (0 IN.W.C.)	10 PSI (277 IN.W.C.)	4,616,000 BTU/HR	2,995,256 BTU/HR	6-11/16"	5-7/8"	7-1/4"	7-13-16"	15-1/8"	13-3/16"	HORIZONTAL	28-55610	4417K68	MGVA2

ALL GAS VALVES/STRAINERS PROPER CLEARANCE MUST BE PROVIDED IN ORDER TO SERVICE THE STRAINERS A MINIMUM OF 4" CLEARANCE DISTANCE MUST BE PROVIDED AT THE BASE OF THE STRAINER CUSTOMER MUST VERIFY BTU CONSUMPTION AS WELL AS PRESSURE RATING SPECIFIC GRAVITY OF NATURAL GAS = 0.64, SPECIFIC GRAVITY OF LP = 1.52

CALCULATIONS TO CALCULATE GAS FLOW FOR OTHER THAN 1 IN.W.C. PRESSURE DROP: NEW BTU/HR = (BTU/HR AT 1 IN.W.C. PRESSURE DROP) X NEW PRESSURE DROP³ TO CALCULATE GAS FLOW FOR OTHER THAN 0.64 SPECIFIC GRAVITY: NEW BTU/HR = (BTU/HR AT 0.64) X (0.64 / NEW SPECIFIC GRAVITY)^{5.5}



LEGEND - FIRE CABINET ANSUL SYSTEM

- 1A 1.5 GALLON TANK.
- 1B 3 GALLON TANK.
- 2 DEM AUTOMAN RELEASE.
- 3 DEM REGULATED RELEASE.
- 4 DEM REGULATED ACTUATOR.
- 5 ANSULEX LIQUID AGENT (3 GAL.).
- 6 ANSULEX LIQUID AGENT (1.5 GAL.).
- 7 CARTRIDGE (101-20).
- 8 CARTRIDGE (101-10).
- 9 CARTRIDGE (101-30).
- 9A CARTRIDGE (LT-A-101-30).
- 9B DOUBLE TANK CARTRIDGE.
- 10 TEST LINK.
- 11 DOUBLE MICROSWITCH.
- 12 HOSE ASSEMBLY.
- 1100 DUCT NOZZLE (430913).
- 2W DUCT NOZZLE (419337).
- 1W NOZZLE ASSEMBLY (419336).
- 1F NOZZLE ASSEMBLY (419333).
- 1N NOZZLE ASSEMBLY (419335).
- 1/2N NOZZLE ASSEMBLY (419334).
- 3N NOZZLE ASSEMBLY (419338).
- 245 NOZZLE ASSEMBLY (419340).
- 230 NOZZLE ASSEMBLY (419339).
- 2120 NOZZLE ASSEMBLY (419343).
- 290 NOZZLE ASSEMBLY (419342).
- 260 NOZZLE ASSEMBLY (419341).
- 28 DETECTOR BRACKET.
- 29 LOW TEMP FUSIBLE LINK.
- 30 HIGH TEMP FUSIBLE LINK.
- MGV MECHANICAL GAS VALVE.
- EGV ELECTRICAL GAS VALVE.
- 34 REMOTE MANUAL PULL STATION.
- S SWIVEL ADAPTOR.

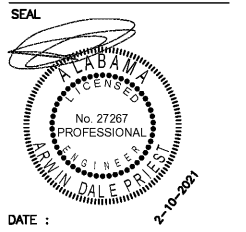
REVISIONS

NO.	DESCRIPTION	DATE

CAPTIVEAIRE
 Denver Office
 7300 S Alton Way Building 5, Suite B, Centennial, CO 80112 PHONE: (720) 570-0881 FAX: (919) 227-5999 EMAIL: req42@captiveaire.com

Consultant:
ARWIN PRIEST P.E., P.Eng.
 MECHANICAL * ENGINEER * ELECTRICAL
 242 MOUNTAIN CLOUD CIRCLE
 HIGHLANDS RANCH, CO 80126
 (303) 898-2664 pc5744@gmail.com

5280Engineering
 www.DesignMEP.com
 720-320-7744 reg@5280engineering.com



GOOD TIMES RESTAURANTS, INC.
 141 Union Blvd, Suite 400
 Lakewood, CO 80228
 tel: (303) 384-1430

BAD DADDY'S BURGER BAR
 "EASTCHASE"
 MONTGOMERY, AL 36117

Issue Record:
 04.23.2019 FOR PLAN REVIEW

Revisions:
 02.10.2021 TO GO REVS

Drawn:
 DRAWN BY: E Long

Checked:
 CHECKED BY: R Blank

Project No.
 PROJECT#: 2019-029

Client:
 CAPTIVE AIRE HOOD DESIGN

DATE: 1/14/2021
 DWG.#: 4688340
 DRAWN BY: MAR-42
 SCALE: 3/4" = 1'-0"
MASTER DRAWING

SHEET NO.
 3

THESE DRAWINGS WERE OBTAINED FROM CAPTIVE AIRE. VERIFY LATEST DRAWINGS PRIOR TO ORDERING EQMT