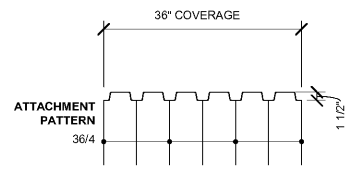


1 PLAN VIEW OF DECK ATTACHMENT
S302 NOT TO SCALE



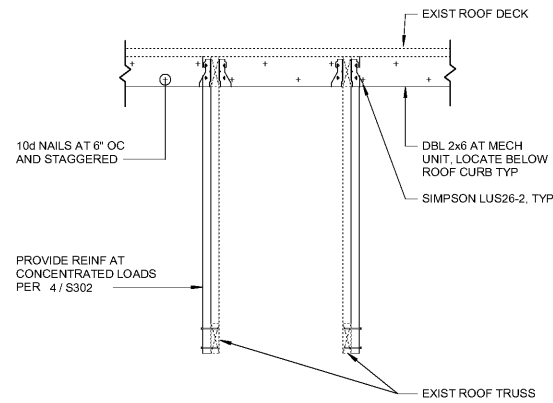
DECKING ATTACHMENT

DECK TYPE.....N
 DECK GAGE.....20 GA
 DECK FINISH.....GALVANIZED

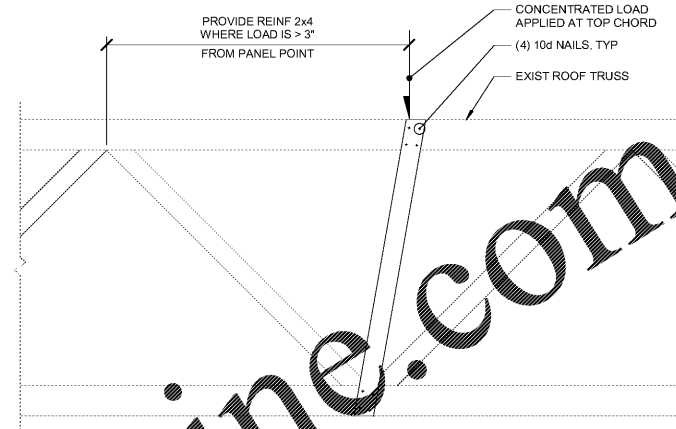
PROVIDE 3/16" ATTACHMENT PATTERN AT ALL SUPPORTS AND AT ENDS WITH 5/8"Ø PUDDLE WELDS

PROVIDE (5) SIDELAP CONNECTORS PER DECK SPAN BETWEEN SUPPORTS WITH #10 TEK SCREWS

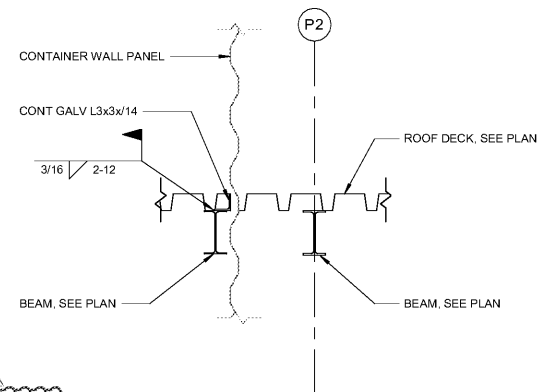
2 ROOF DECK ATTACHMENT SCHEDULE
S302 NOT TO SCALE



3 SECTION
S302 3/4" = 1'-0"



4 SECTION
S302 3/4" = 1'-0"



5 SECTION
S302 3/4" = 1'-0"

Order Plans @ www.LDILine.com

CONSULTANT:
LITTLE
 DIVERSIFIED ARCHITECTURAL CONSULTING
 410 Blackwell St., Suite 10
 Durham NC 27701
 T: 919.474.2500
 www.littleonline.com

David L. Long
 2/10/2021
 No. 2254
 PROFESSIONAL
 TRAVEL A. WYATT



GOOD TIMES RESTAURANTS, INC.
 141 Union Blvd, Suite 400
 Lakewood, CO 80228
 303-384-1430

BAD DADDY'S BURGER BAR
 "EASTCHASE"
 MONTGOMERY, AL 36117

Issue Record

| | |
|-----------|-----------------|
| 4.23.2019 | FOR PLAN REVIEW |
| | |
| | |
| | |
| | |

Revisions

| | | |
|---|-----------|-------------|
| 2 | 7.1.2019 | CANOPY REVS |
| 3 | 2.10.2021 | TO GO REVS |
| | | |
| | | |
| | | |

Drawn:
 DRAWN BY: LW

Checked:
 CHECKED BY: DW,CS

Project No:
 PROJECT#: 19-207

Contents:
 ROOF FRAMING DETAILS

S302

Date of Last Print: